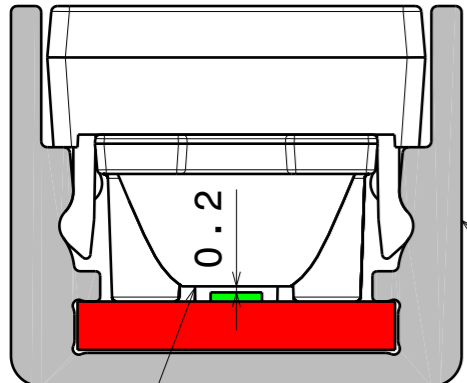
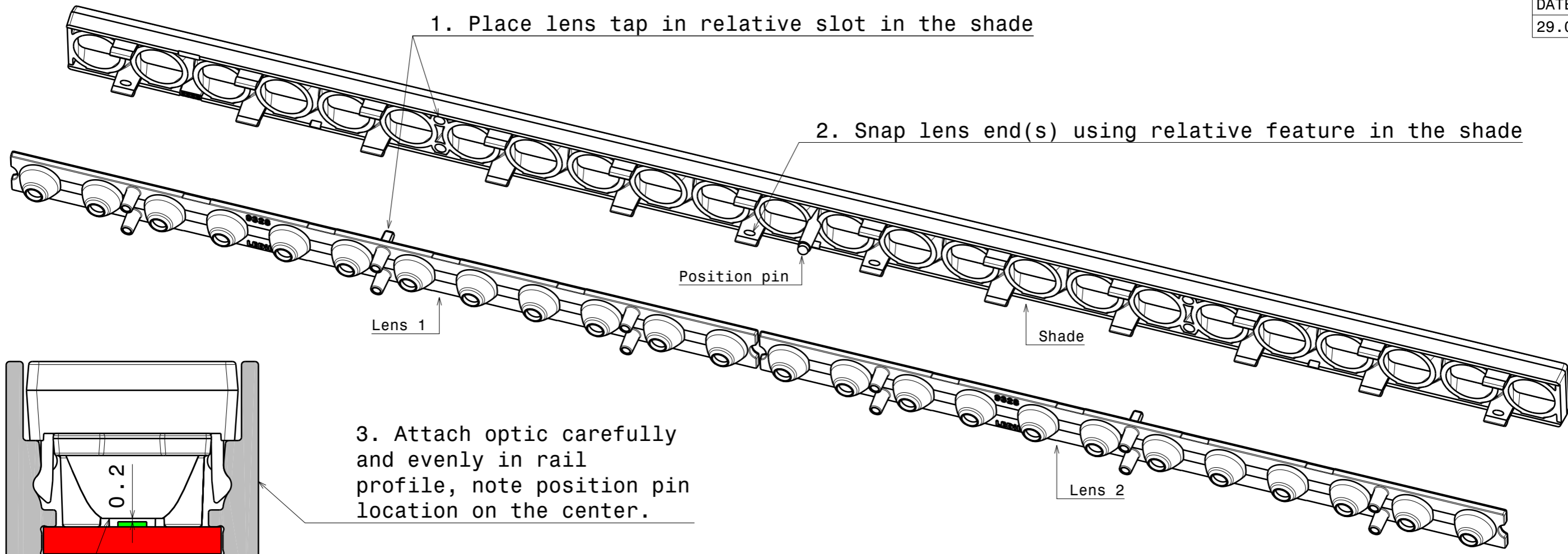


Notes

	PCB or heatsink level.
	LED location
	Ensure LED fitting from a product specific 3D model available from www.ledil.com
	For more details about installation please see LEDiL Installation Guide on www.ledil.com

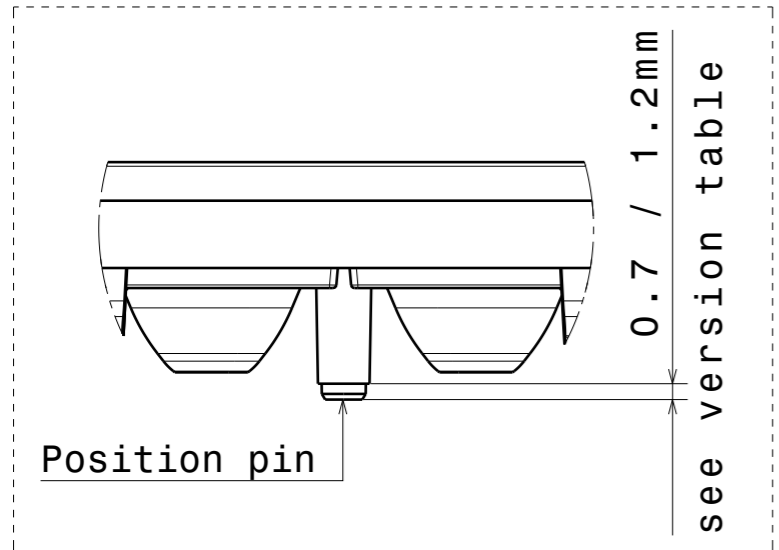
MECHANICAL DRAWING		LEDiL
PRODUCT	DALINE-10-0	
Plastic moulding general tolerances according to DIN 16901-130 and applies if not otherwise shown in the drawing. Silicone moulding general tolerances according to ISO 3302-1 Class M3 and applies if not otherwise shown in the drawing.	FIRST ANGLE PROJECTION: 	This drawing is the property of LEDiL Oy. It may not be copied or otherwise distributed without prior written permission from LEDiL Oy.
SCALE	1:1	WEIGHT -
		A3 SHEET 1/1



3. Attach optic carefully and evenly in rail profile, note position pin location on the center.

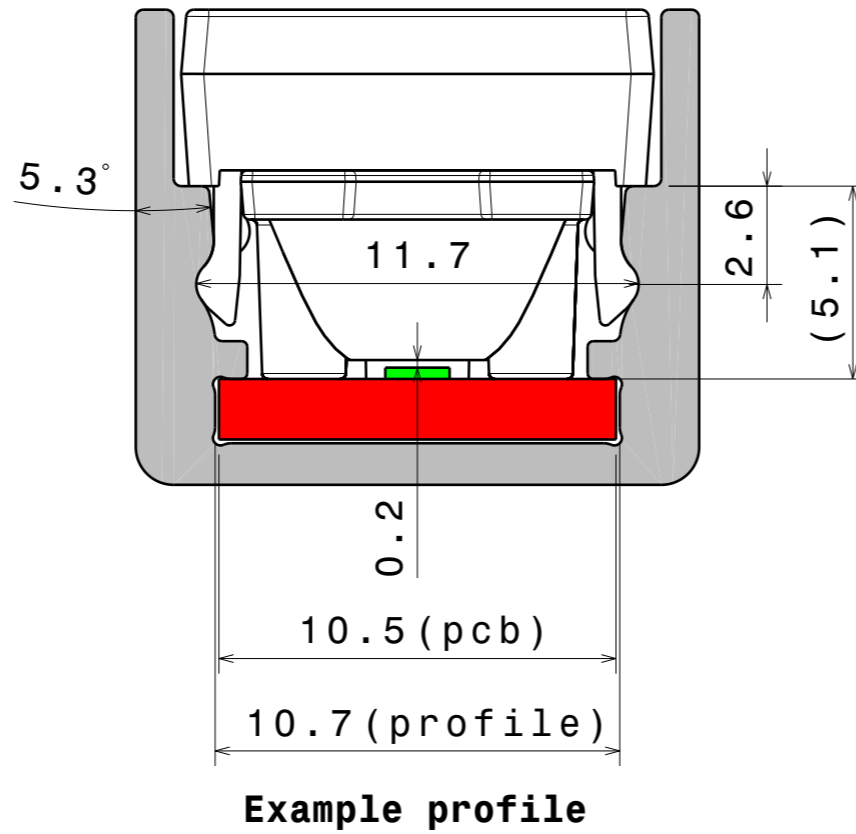
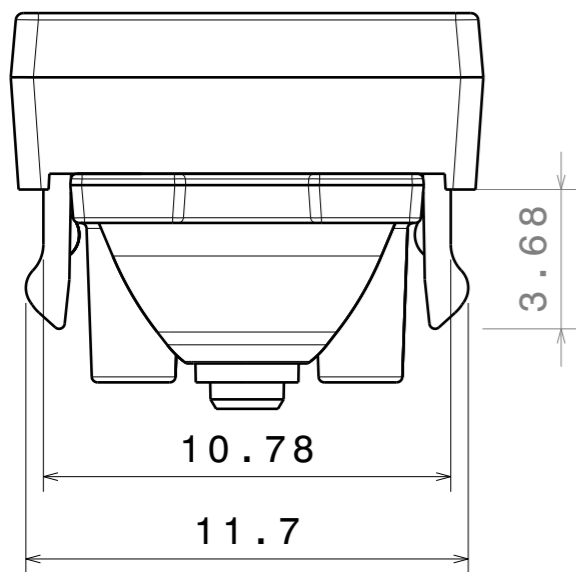
Ensure there's gap between LED and lens for fluent assembly result.

PART	Qty	Position pin lenght	TYPE	MATERIAL	COLOR / COATING
C19333_DALINE-10-SHD1-MATT	1	0.7mm	Shade	PC	Black / Matt
C19509_DALINE-10-SHD1-WHT-MATT	1	0.7mm	Shade	PC	White / Matt
C19618_DALINE-10-SHD2-MATT	1	1.2mm	Shade	PC	Black / Matt
C19620_DALINE-10-SHD2-WHT-MATT	1	1.2mm	Shade	PC	White / Matt
C19334_DALINE-10-SHD1-WAS-MATT	1	0.7mm	Shade	PC	Black / Matt
C19510_DALINE-10-SHD1-WAS-WHT-MATT	1	0.7mm	Shade	PC	White / Matt
C19619_DALINE-10-SHD2-WAS-MATT	1	1.2mm	Shade	PC	Black / Matt
C19621_DALINE-10-SHD2-WAS-WHT-MATT	1	1.2mm	Shade	PC	White / Matt
C19330_DALINE-10-0	2	-	Lens	PMMA	Clear



MECHANICAL DRAWING		LEDiL
PRODUCT DALINE-10-0		
Plastic moulding general tolerances according to DIN 16901-130 and applies if not otherwise shown in the drawing. Silicone moulding general tolerances according to ISO 3302-1 Class M3 and applies if not otherwise shown in the drawing.	FIRST ANGLE PROJECTION: 	This drawing is the property of LEDiL Oy. It may not be copied or otherwise distributed without prior written permission from LEDiL Oy.
SCALE 1:1	WEIGHT -	A3 SHEET 1/1

- Notes**
- PCB or heatsink level.
 - LED location
 - Ensure LED fitting from a product specific 3D model available from www.ledil.com
 - For more details about installation please see LEDiL Installation Guide on www.ledil.com



Adjust dimension (5.1) based on used LED type.
Suggested setting: Lens cone 0.2mm from LES/Led top surface.

Example profile

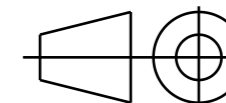
MECHANICAL DRAWING

PRODUCT **DALINE-10-0**

LEDiL

Plastic moulding general tolerances according to DIN 16901-130 and applies if not otherwise shown in the drawing.
Silicone moulding general tolerances according to ISO 3302-1 Class M3 and applies if not otherwise shown in the drawing.

FIRST ANGLE PROJECTION:



This drawing is the property of LEDiL Oy. It may not be copied or otherwise distributed without prior written permission from LEDiL Oy.

SCALE 1:1

WEIGHT -

A3 SHEET 1/1

Notes

- PCB or heatsink level.
- LED location
- Ensure LED fitting from a product specific 3D model available from www.ledil.com
- For more details about installation please see LEDiL Installation Guide on www.ledil.com