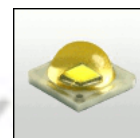


PRELIMINARY GT3 SERIES FOR SEOUL Z5 SERIES OF LEDs




SEOUL SEMICONDUCTOR



- Special care taken to make a uniform white or warm white illumination.
- Lens material optical grade PMMA with high UV and temperature resistance (105°C/220°F). Allows use of high current and temperature conditions
- Best available optical efficiency, up to 90%.
- Please check fastening details from this link:
(http://www.ledil.com/datasheets/DataSheet_GLUES.pdf)

LENS TYPES

NAME	ORDERING CODE	FWHM
GT3-Z5 Spot	C10891_GT3-Z5-S	To be measured shortly
GT3-Z5 Medium	C10892_GT3-Z5-M	To be measured shortly
GT3-Z5 Wide	C10893_GT3-Z5-W	To be measured shortly
GT3-Z5 WW	C11624_GT3-Z5-WW	To be measured shortly

© Ledil Oy - PRELIMINARY - Subject to change without prior notice

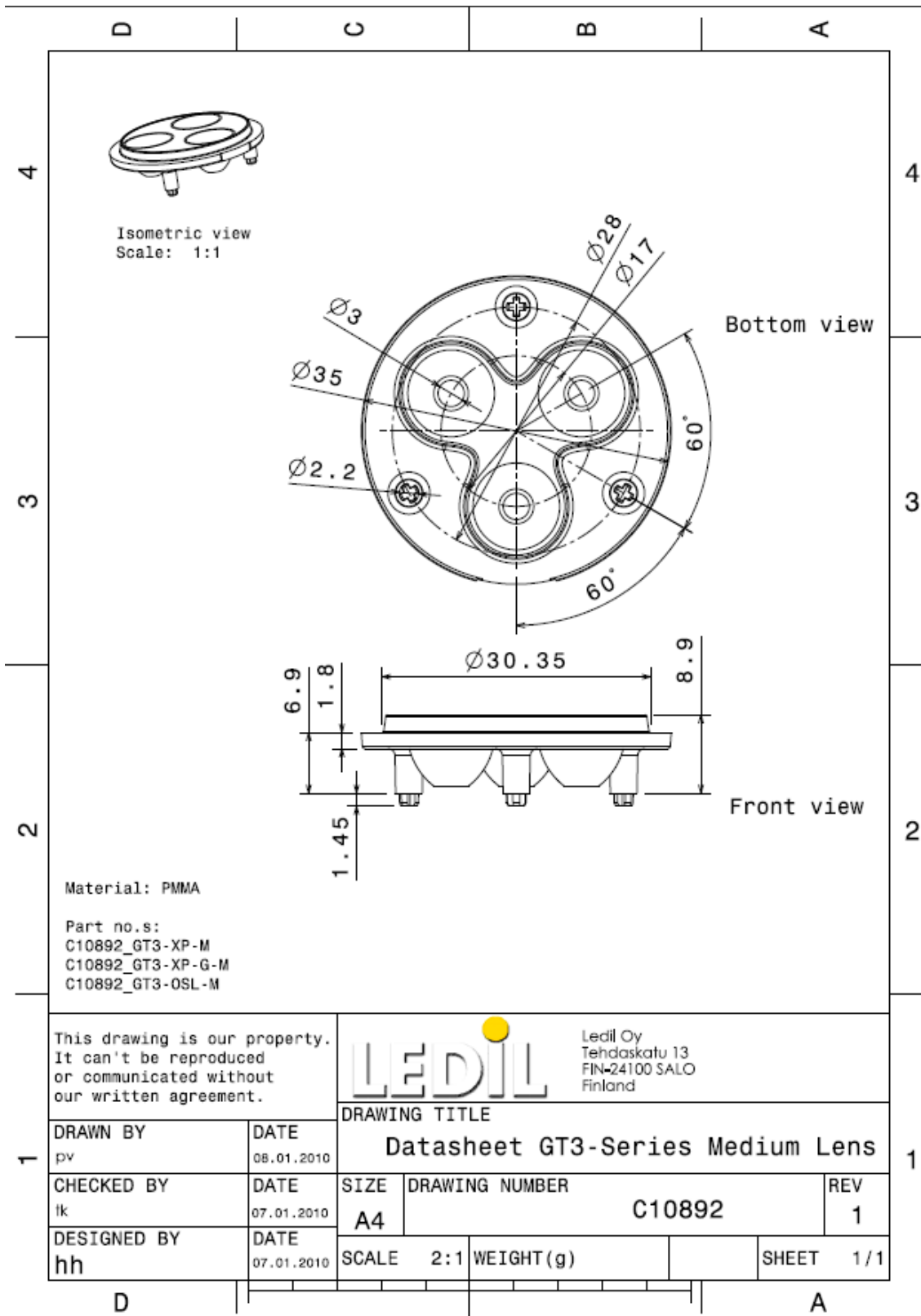
MEASUREMENT DATA

COMING SOON



© Ledil Oy – PRELIMINARY - Subject to change without prior notice

DRAWINGS



© Ledil Oy - PRELIMINARY - Subject to change without prior notice