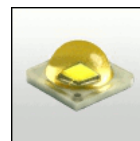


PRELIMINARY GT4 SERIES FOR SEOUL Z5 SERIES OF LEDs



- Special care taken to make a uniform white or warm white illumination.
- Lens material optical grade PMMA with high UV and temperature resistance (105°C/220°F). Allows use of high current and temperature conditions.
- Best available optical efficiency, up to 90%.
- Please check fastening details from this link:
(http://www.ledil.com/datasheets/DataSheet_GLUES.pdf)

LENS TYPES

NAME	ORDERING CODE	FWHM
GT4-Z5 Spot	C10921_GT4-Z5-S	To be measured shortly
GT4-Z5 Medium	C10922_GT4-Z5-M	To be measured shortly
GT4-Z5 Wide	C10923_GT4-Z5-W	To be measured shortly
GT4-Z5 WW	C10975_GT4-Z5-WW	To be measured shortly

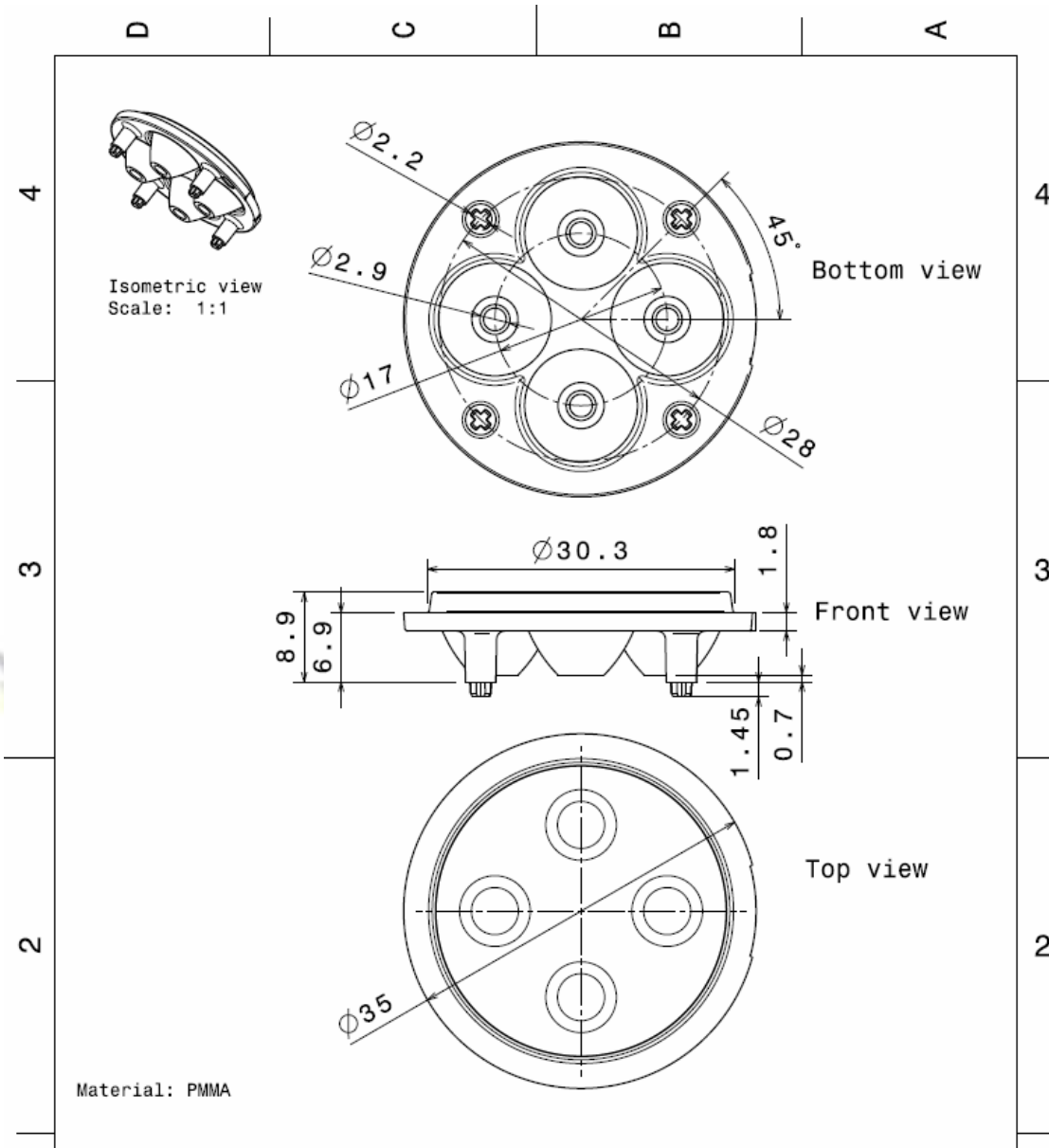
MEASUREMENT DATA

COMING SOON



© Ledil Oy – PRELIMINARY - Subject to change without prior notice

DRAWINGS



This drawing is our property.
It can't be reproduced
or communicated without
our written agreement.

Ledil Oy
Tehdaskatu 13
FIN-24100 SALO
Finland

DRAWING TITLE

Datasheet GT4-RE Lens

DRAWN BY
pv

DATE
03.08.2009

CHECKED BY
hh

DATE
03.08.2009

SIZE
A4

DRAWING NUMBER
C10971, 10973

REV
1

DESIGNED BY
hh

DATE
23.07.2009

SCALE 2:1 WEIGHT (g)

SHEET 1/1