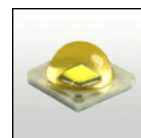


## PRELIMINARY IRIS LENS FOR SEOUL Z5 SERIES OF LEDs



**APPLICATIONS:**  
**TORCH LIGHTS**  
**DOWNLIGHTS**  
**SPOTLIGHTS**

  
 SEOUL SEMICONDUCTOR



- Lens material optical grade PMMA with high UV and temperature resistance (105°C/220°F).
- Holder material PC. Allows use of high current and temperature conditions.
- Very high optical efficiency 92%
- Tape version comes with double sided adhesive tape
- Please check fastening details from this link:  
[http://www.ledil.com/datasheets/DataSheet\\_TAPE.pdf](http://www.ledil.com/datasheets/DataSheet_TAPE.pdf)
- Screw version can be screwed from the bottom of the PCB
- Positioning pins to ensure right positioning.
- Medium and Oval sub lenses available

### LENS TYPES

NAME	ORDERING CODE	FWHM Angle
Iris-Z5 Screw version	CA11358_Iris-Z5-screw	To be measured shortly
Iris-Z5 Tape version	CA11362_Iris-Z5-tape	To be measured shortly

**NOTE: DELIVERED UNASSEMBLED**

© Ledil Oy – PRELIMINARY - Subject to change without prior notice

**MEASUREMENTS**



---

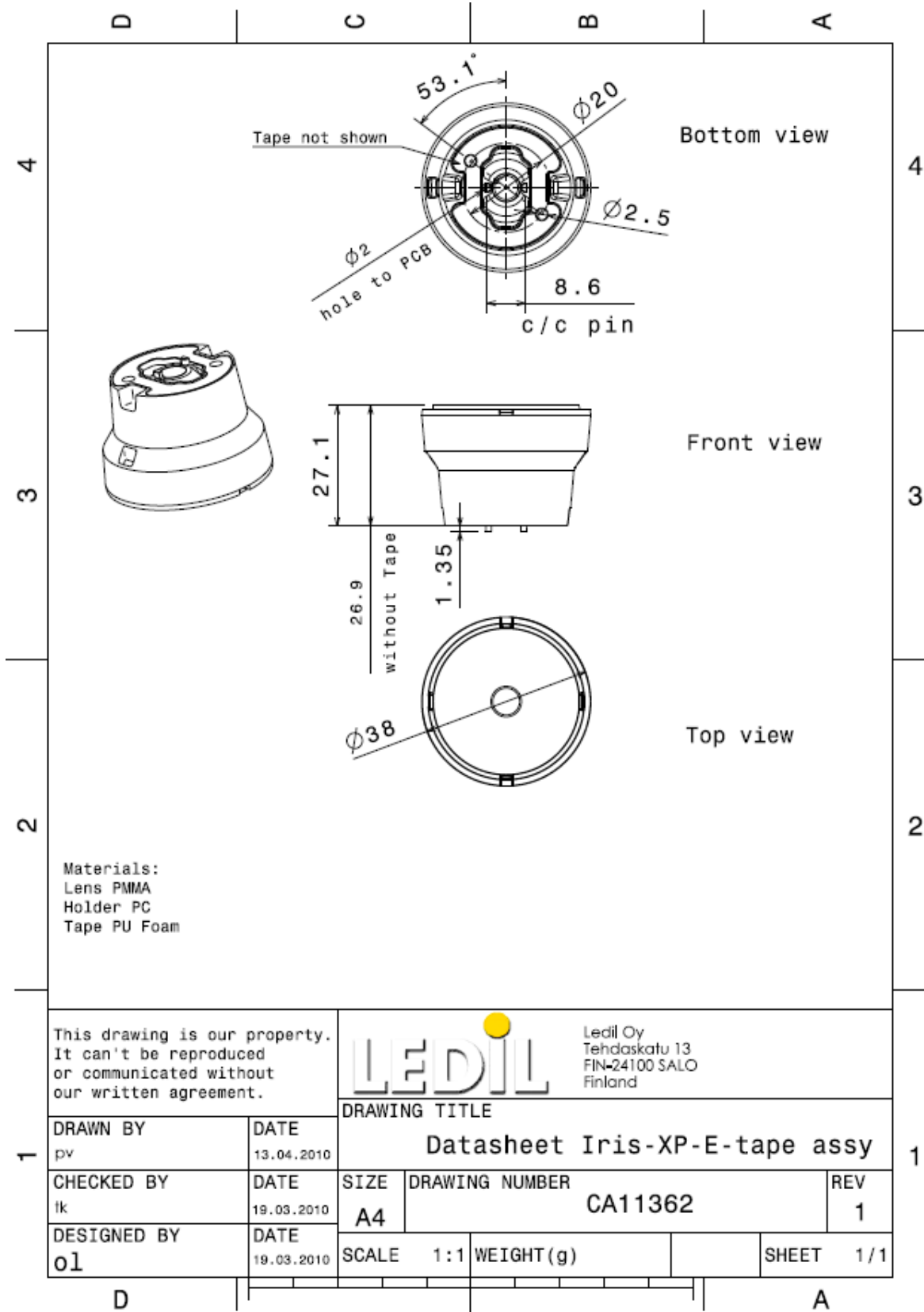
© Ledil Oy – PRELIMINARY - Subject to change without prior notice

Ledil Oy  
Tehdaskatu 13  
FIN-24100 SALO, Finland

[www.ledil.com](http://www.ledil.com)  
email: [ledil@ledil.com](mailto:ledil@ledil.com)  
FAX: +358-2-733 8001

2011-01-26

## DRAWINGS



© Ledil Oy - PRELIMINARY - Subject to change without prior notice