

## PRELIMINARY STRADA-T-DN LENS FOR SEOUL Z5 LEDs



SEOUL SEMICONDUCTOR



- Wide BATWING design with very and uniform light distribution. Planned to be used mixed with Strada-T-DW lenses for optimal streetlight patterns.
- ASYMMETRICAL design with excellent usable efficiency and beam control.
- Efficiently and easily fulfilling different requirements for urban and road lighting when mixed with Strada-T-DW.
- Comes with integrated positioning pins.
- Lens material optical grade PMMA with high UV and temperature resistance (105°C/220°F). Allows use of high current and temperature conditions.
- Best available optical efficiency, approximately 92%.
- Fastening to heat sink with or without PU foam adhesive tape of automotive grade, please select which suits the best for your needs.
- We advise customer to ensure the suitability and sufficiency of the bond in the end product. For example, mechanical stress, vibration and holes on the surface of the circuit board weaken the strength of the tape.
- Please check fastening details from this link:  
([http://www.ledil.com/datasheets/DataSheet\\_TAPE.pdf](http://www.ledil.com/datasheets/DataSheet_TAPE.pdf))

### LENS TYPES

NAME	ORDERING CODE	FWHM Angle
Strada-T-DN-Z5	C11415_Strada-T-DN-Z5	To be measured shortly
Strada-T-DN-Z5-TAPE	CA11416_Strada-T-DN-Z5-tape	To be measured shortly

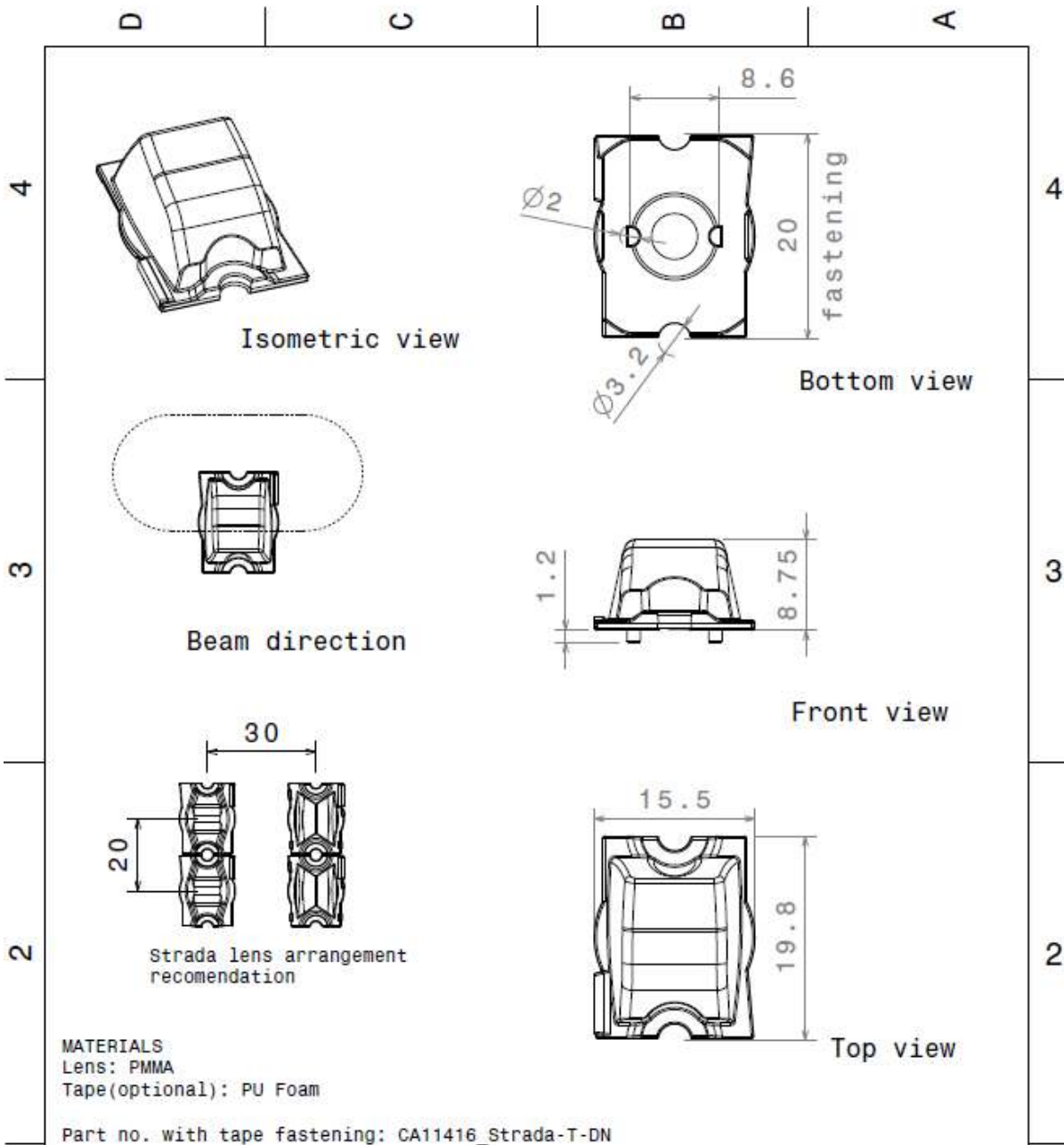
Eulumdat & IES files available by request.

© Ledil Oy – PRELIMINARY - Subject to change without prior notice

**MEASUREMENT DATA & DRAWING**

**COMING SOON**





This drawing is our property. It can't be reproduced or communicated without our written agreement.



Ledil Oy  
 Tehdaskatu 13  
 FIN-24100 SALO  
 Finland

DRAWN BY o1		DATE 14.05.2010	DRAWING TITLE <b>Datasheet Strada-T-DN Lens</b>		
CHECKED BY pv		DATE 14.05.2010	SIZE <b>A4</b>	DRAWING NUMBER <b>C11415</b>	REV <b>1</b>
DESIGNED BY hh		DATE 14.05.2010	SCALE <b>2:1</b>	WEIGHT(g)	SHEET <b>1/1</b>