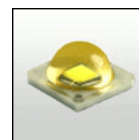


PRELIMINARY TUIJA-3 SERIES FOR SEOUL Z5 LEDs



- Lens material optical grade PMMA with high UV and temperature resistance (105°C/220°F)
- High optical efficiency, >85%
- No lens holder. Fastening to heat sink with droplets of glue. NOTE: legs go into the PCB by 1.2 mm only, do not go thru a normal MCPCB
- Please check fastening details from this link:
(http://www.ledil.com/datasheets/DataSheet_GLUES.pdf)
- Diameter 50 mm (MR16)
- Mechanical CAD models available upon request
- All 3 lens types have the same outer dimensions.

LENS TYPES

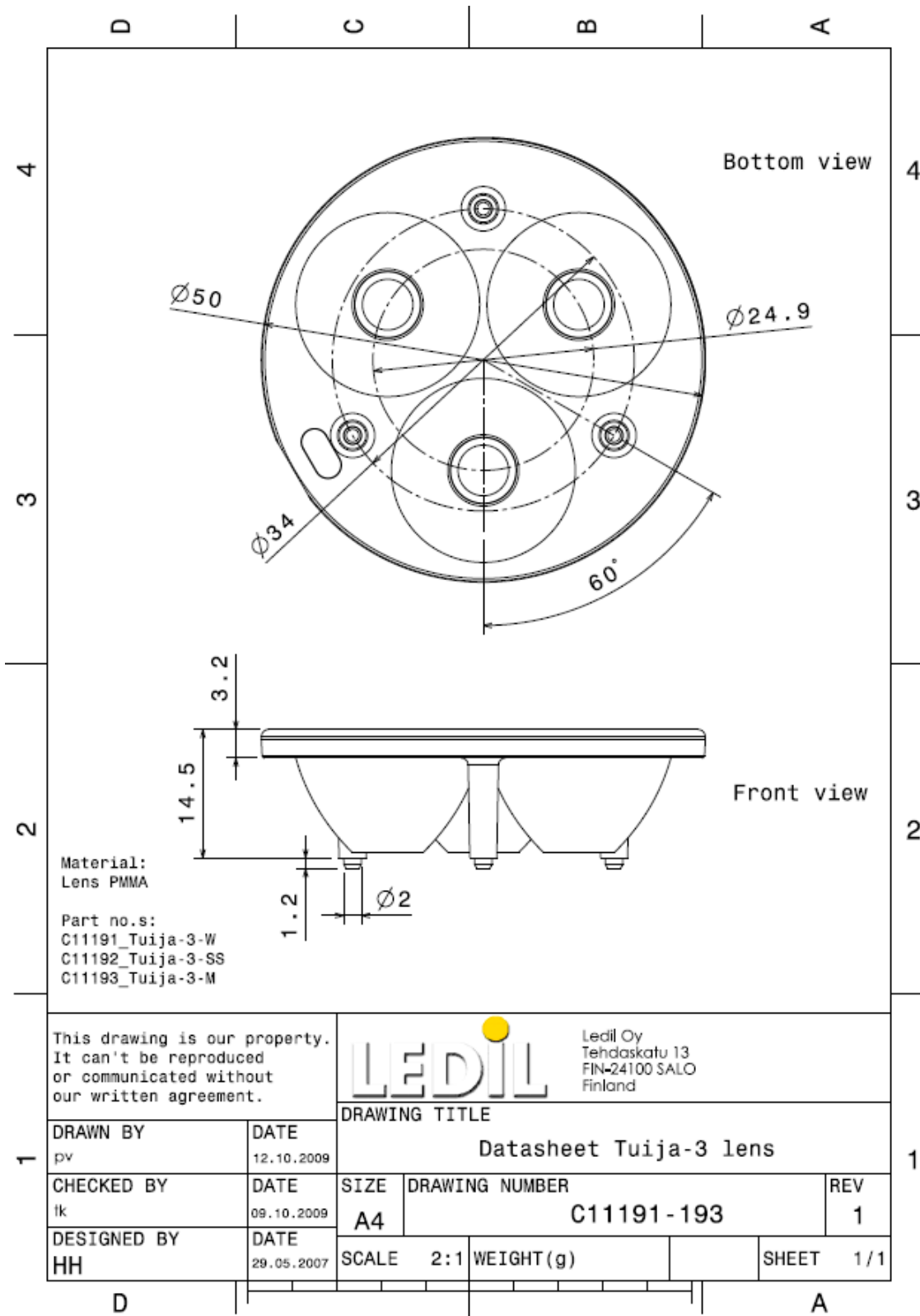
NAME	ORDERING CODE	FWHM Angle
Tuija-3 spot	C11192_Tuija-3-SS-Z5	To be measured shortly
Tuija-3 medium	C11193_Tuija-3-M-Z5	To be measured shortly
Tuija-3 wide	C11191_Tuija-3-W-Z5	To be measured shortly

MEASUREMENT DATA



© Ledil Oy – PRELIMINARY - Subject to change without prior notice

DRAWINGS



© Ledil Oy – PRELIMINARY - Subject to change without prior notice