

H G F E D C B A

4

3

2

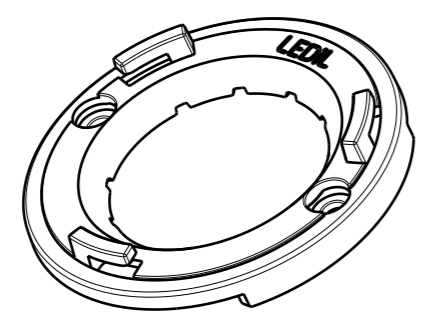
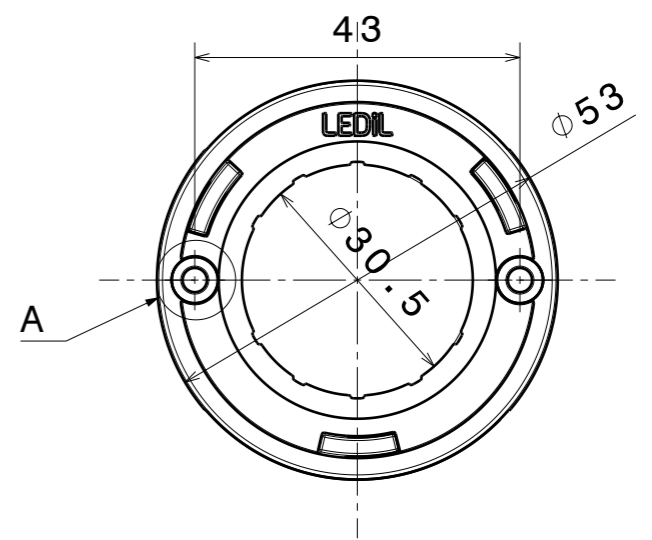
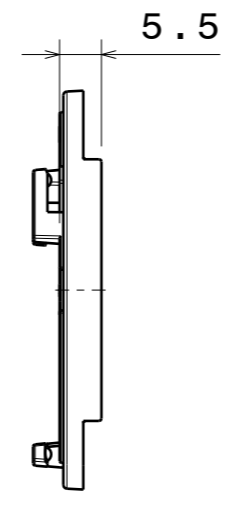
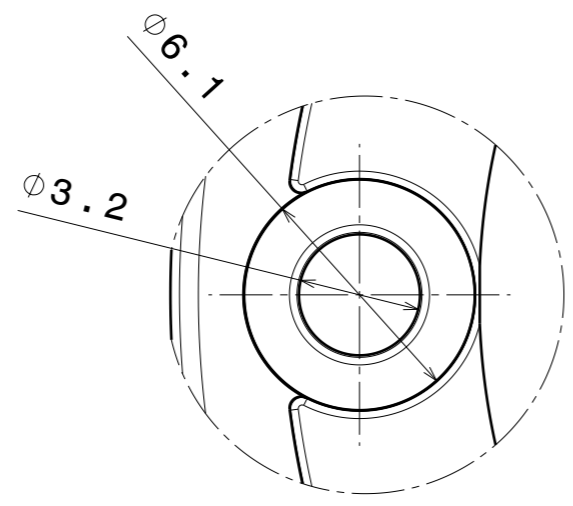
1

4

3

2


1



Right view
Scale: 1:1

Front view
Scale: 1:1

Isometric view
Scale: 1:1

This drawing is our property. It can't be reproduced or communicated without our written agreement.		 Ledil Oy Salorankatu 10 FIN 24240 SALO Finland	
DRAWING TITLE		Part Drawing	
DRAWN BY PL		DATE 04.03.2013	
CHECKED BY -		DATE -	
DESIGNED BY PL		DATE -	
SIZE A3		PART NUMBER C13584	
SCALE 1:1		WEIGHT -	
SHEET 1/1			

H G B A