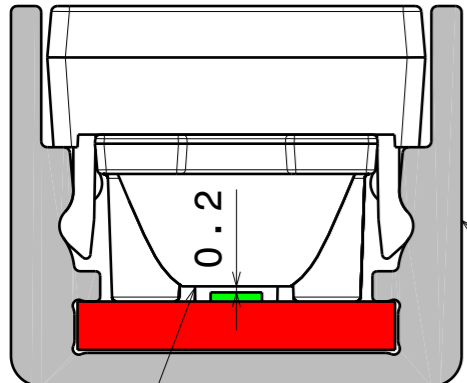
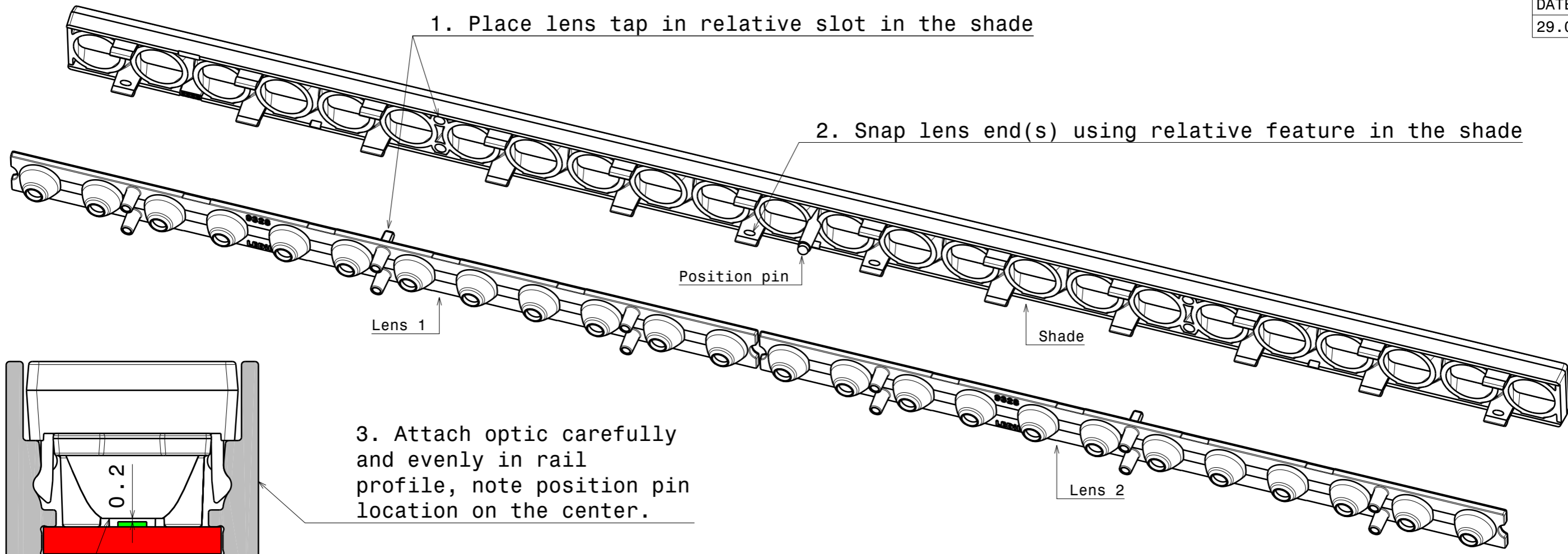


See page2

Notes

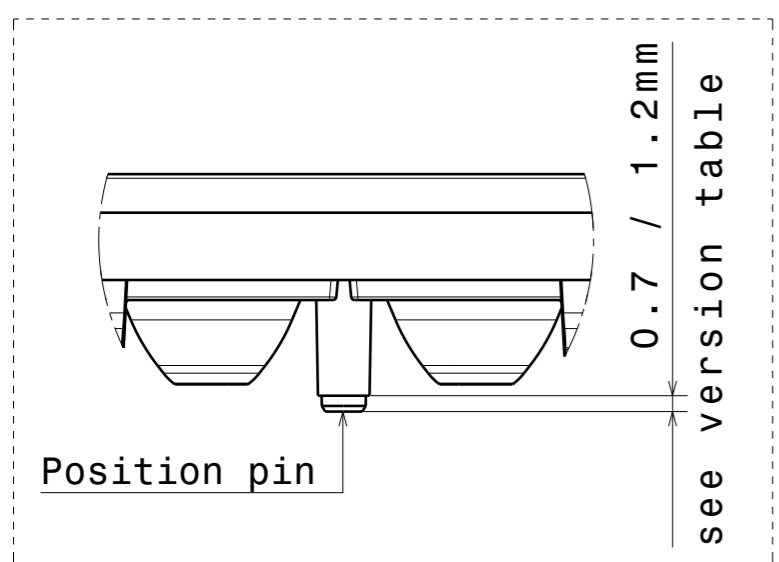
| | |
|--|---|
| | PCB or heatsink level. |
| | LED location |
| | Ensure LED fitting from a product specific 3D model available from www.ledil.com |
| | For more details about installation please see LEDiL Installation Guide on www.ledil.com |

| | | |
|---|-----------------------------|---|
| MECHANICAL DRAWING | | LEDiL |
| PRODUCT | DALINE-10-W | |
| Plastic moulding general tolerances according to DIN 16901-130 and applies if not otherwise shown in the drawing. Silicone moulding general tolerances according to ISO 3302-1 Class M3 and applies if not otherwise shown in the drawing. | FIRST ANGLE PROJECTION: | This drawing is the property of LEDiL Oy. It may not be copied or otherwise distributed without prior written permission from LEDiL Oy. |
| SCALE | 1:1 | WEIGHT - |
| | | A3 SHEET 1/1 |



Ensure there's gap between LED and lens for fluent assembly result.

3. Attach optic carefully and evenly in rail profile, note position pin location on the center.

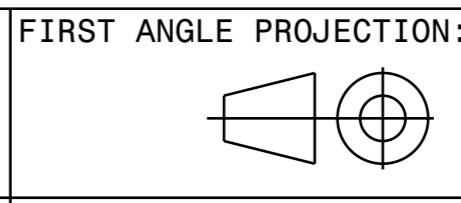


| PART | Qty | Position pin lenght | TYPE | MATERIAL | COLOR / COATING |
|------------------------------------|-----|---------------------|-------|----------|-----------------|
| C19333_DALINE-10-SHD1-MATT | 1 | 0.7mm | Shade | PC | Black / Matt |
| C19509_DALINE-10-SHD1-WHT-MATT | 1 | 0.7mm | Shade | PC | White / Matt |
| C19618_DALINE-10-SHD2-MATT | 1 | 1.2mm | Shade | PC | Black / Matt |
| C19620_DALINE-10-SHD2-WHT-MATT | 1 | 1.2mm | Shade | PC | White / Matt |
| C19334_DALINE-10-SHD1-WAS-MATT | 1 | 0.7mm | Shade | PC | Black / Matt |
| C19510_DALINE-10-SHD1-WAS-WHT-MATT | 1 | 0.7mm | Shade | PC | White / Matt |
| C19619_DALINE-10-SHD2-WAS-MATT | 1 | 1.2mm | Shade | PC | Black / Matt |
| C19621_DALINE-10-SHD2-WAS-WHT-MATT | 1 | 1.2mm | Shade | PC | White / Matt |
| C19329_DALINE-10-W | 2 | - | Lens | PMMA | Clear |

MECHANICAL DRAWING

PRODUCT
DALINE-10-W

Plastic moulding general tolerances according to DIN 16901-130 and applies if not otherwise shown in the drawing.
Silicone moulding general tolerances according to ISO 3302-1 Class M3 and applies if not otherwise shown in the drawing.



LEDiL

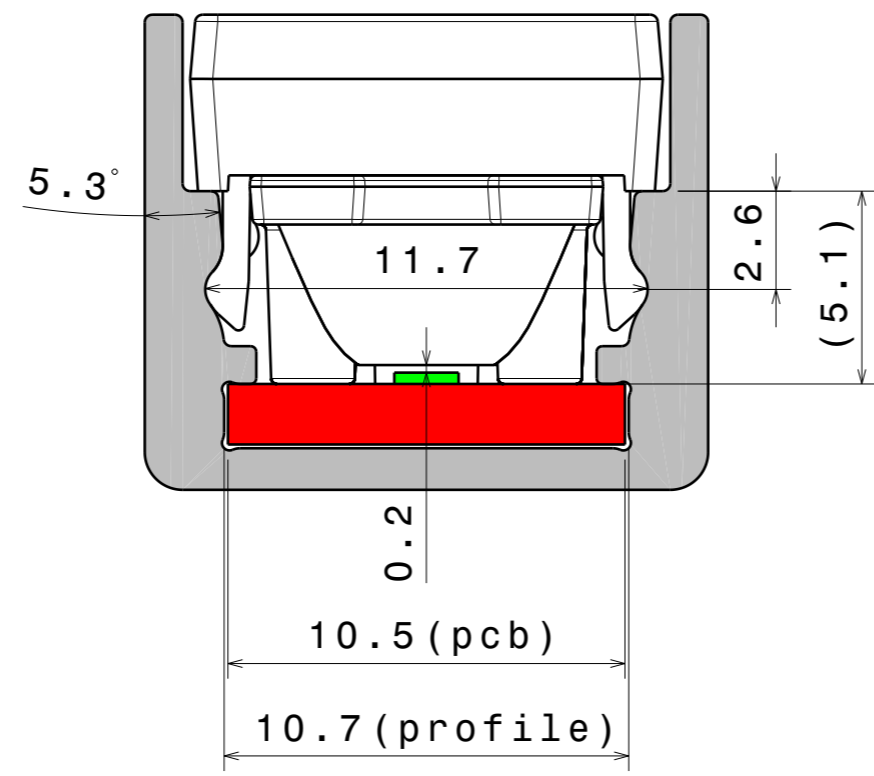
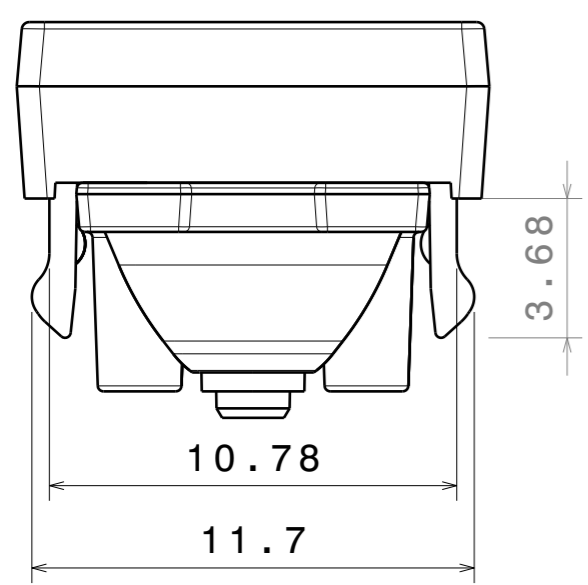
This drawing is the property of LEDiL Oy. It may not be copied or otherwise distributed without prior written permission from LEDiL Oy.

SCALE 1:1

WEIGHT -

A3 SHEET 1/1

- Notes**
- PCB or heatsink level.
 - LED location
 - Ensure LED fitting from a product specific 3D model available from www.ledil.com
 - For more details about installation please see LEDiL Installation Guide on www.ledil.com



Adjust dimension (5.1) based on used LED type.
Suggested setting: Lens cone 0.2mm from LES/Led top surface.

Example profile

Notes

- PCB or heatsink level.
- LED location

Ensure LED fitting from a product specific 3D model available from www.ledil.com

For more details about installation please see LEDiL Installation Guide on www.ledil.com

| | | |
|--|-----------------------------|---|
| MECHANICAL DRAWING | | <h1>LEDiL</h1> |
| PRODUCT DALINE-10-W | | |
| Plastic moulding general tolerances according to DIN 16901-130 and applies if not otherwise shown in the drawing. Silicone moulding general tolerances according to ISO 3302-1 Class M3 and applies if not otherwise shown in the drawing. | FIRST ANGLE PROJECTION: | This drawing is the property of LEDiL Oy. It may not be copied or otherwise distributed without prior written permission from LEDiL Oy. |
| SCALE 1:1 | WEIGHT - | |