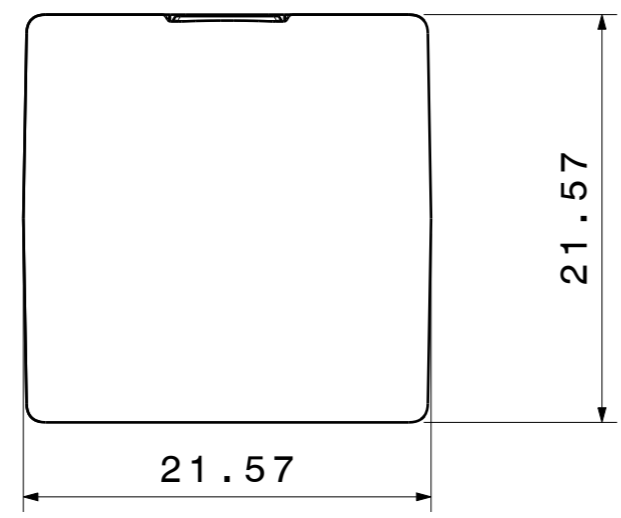
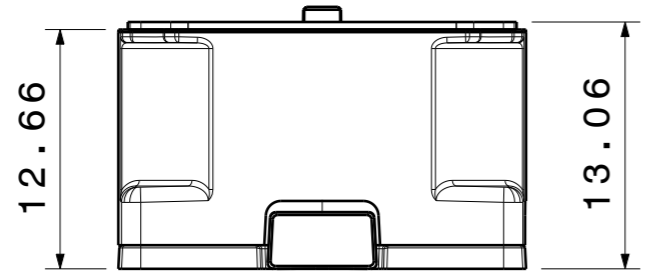


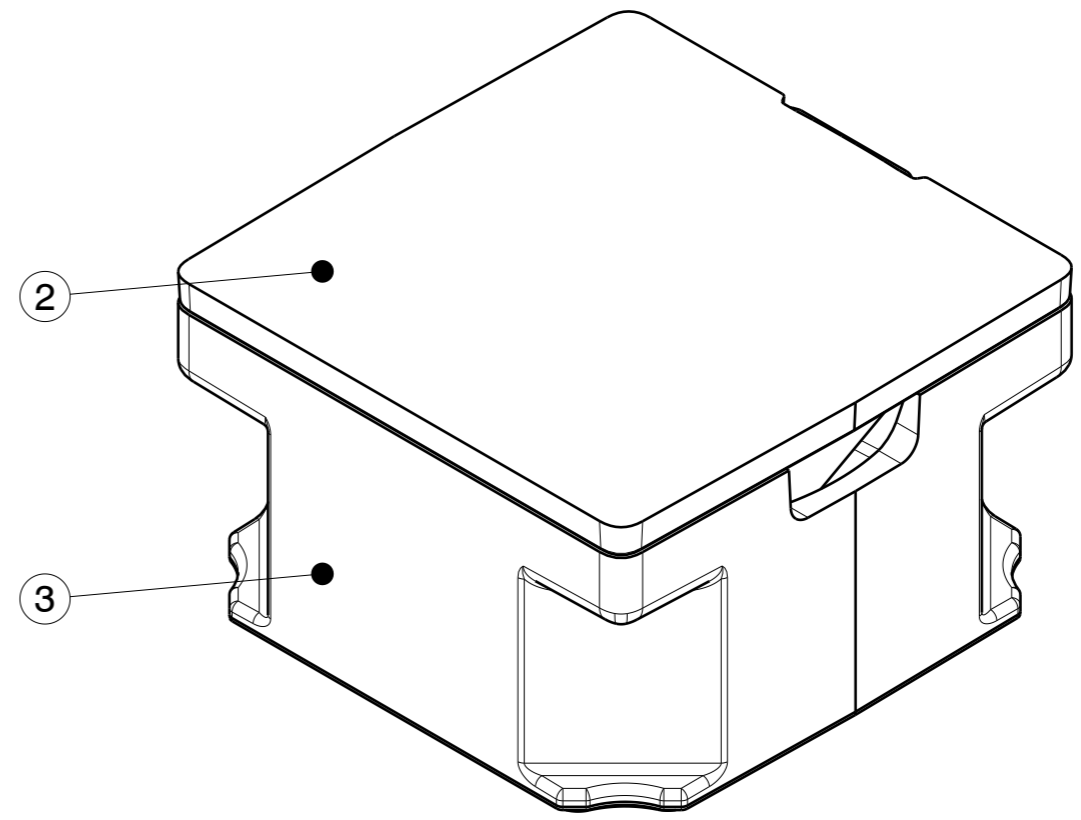
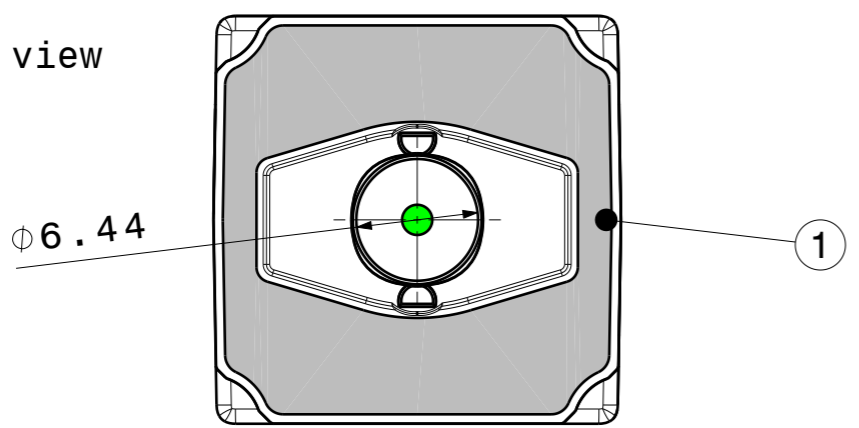
Top view



Front view



Bottom view



Isometric view  
Scale 4:1

INDEX	PART	TYPE	MATERIAL	COLOR / COATING
1	C10278_ROSE-TAPE	TAPE	Acrylic foam	BLACK
2	C11358_LAURA-D	LENS	PMMA	CLEAR
3	C11835_LAURA-PIN-XP-HLD-WHT	HOLDER	PC	WHITE

MECHANICAL DRAWING		<b>LEDiL</b> <sup>®</sup>
PRODUCT <b>CA11960_LAURA-D-PIN</b>		
Plastic moulding general tolerances according to DIN 16901-130 and applies if not otherwise shown in the drawing. Silicone moulding general tolerances according to ISO 3302-1 Class M3 and applies if not otherwise shown in the drawing.	FIRST ANGLE PROJECTION: 	This drawing is the property of LEDiL Oy. It may not be copied or otherwise distributed without prior written permission from LEDiL Oy.
SCALE 5:2	WEIGHT -	A3 SHEET 1/1

**Notes**

- LED location
- Ensure LED fitting from a product specific 3D model available from [www.ledil.com](http://www.ledil.com)
- For more details about installation please see LEDiL Installation Guide on [www.ledil.com](http://www.ledil.com)