

4

3

2

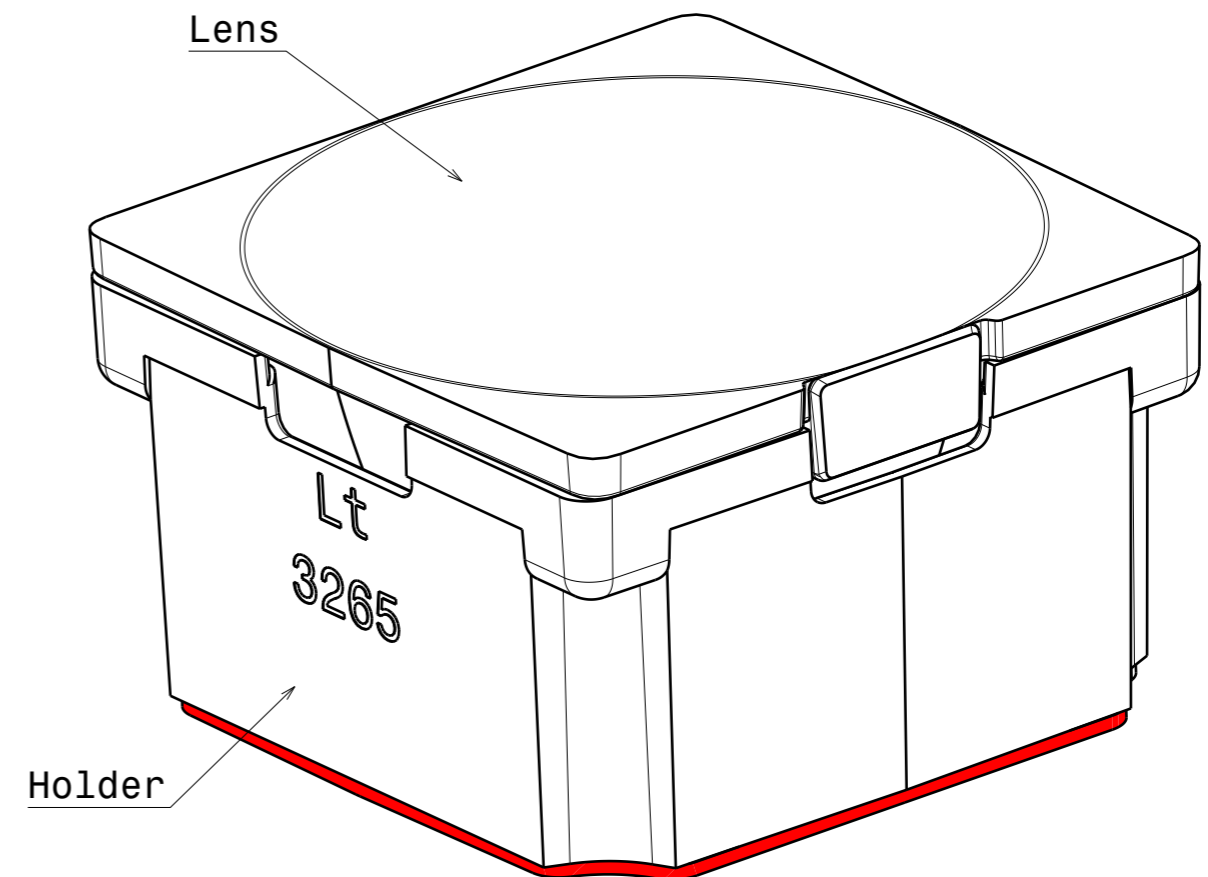
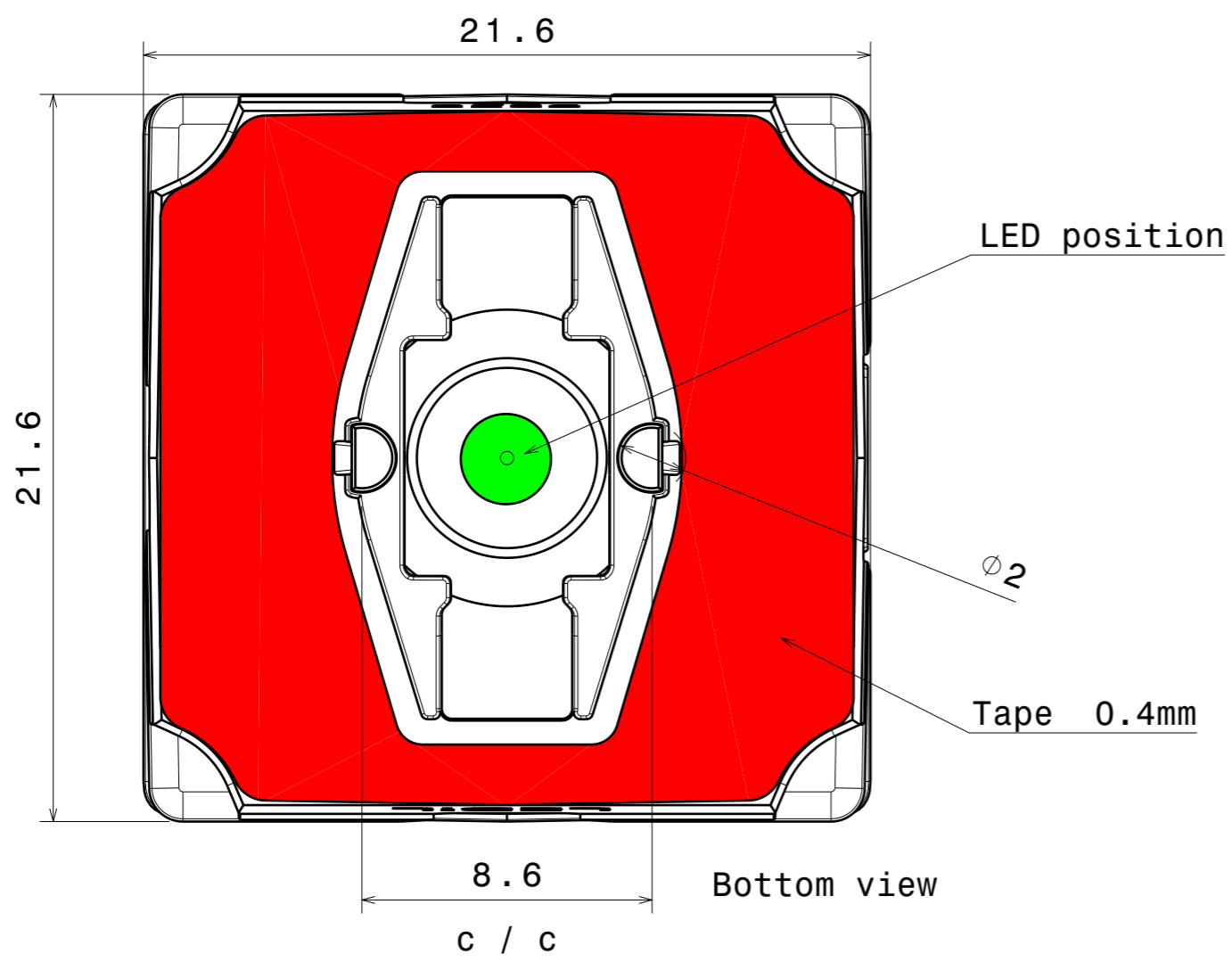
1

4

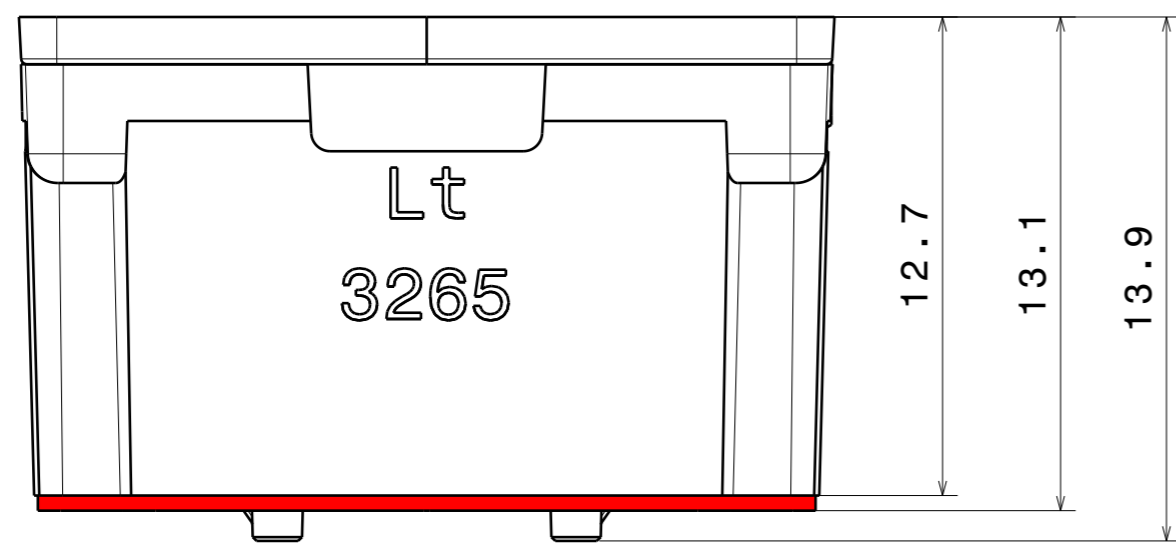
3

2

1



Isometric view
Scale: 5:1



COMPONENTS

CA13633_G2-LAURA-WW-P_

INDEX	PART	TYPE	MATERIAL	COLOR / COATING
1	C10278_ROSE-TAPE		Tape	
2	C11765_LAURA-WW		PMMA	
3	C13265_LAURA-Lt-PIN-XP-HLD-WHT			white

MECHANICAL DRAWING		LEDiL [®]
PRODUCT LAURA		
Plastic molding general tolerances are based on DIN 16901-130 and applies if not otherwise shown in drawing. Silicone molding general tolerances are based on ISO 3302-1 Class M3 and applies if not otherwise shown in the drawing.	FIRST ANGLE PROJECTION: 	This drawing is the property of LEDiL Oy. It may not be reproduced, copied or communicated without a written agreement with LEDiL Oy.
SCALE 5:1	WEIGHT -	A3 SHEET 1/1

Notes

- PCB or heatsink level.
- LED location.
- Ensure LED fitting from a product specific 3D model available from www.ledil.com.