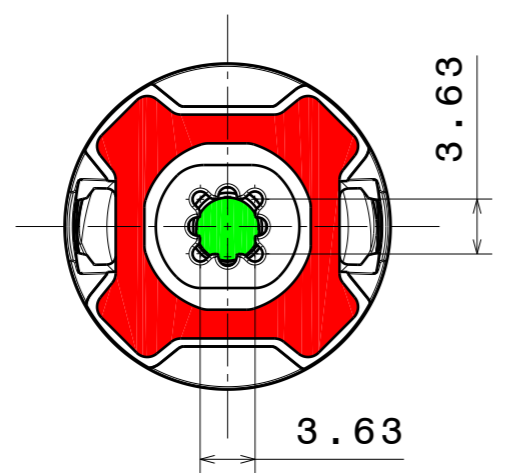


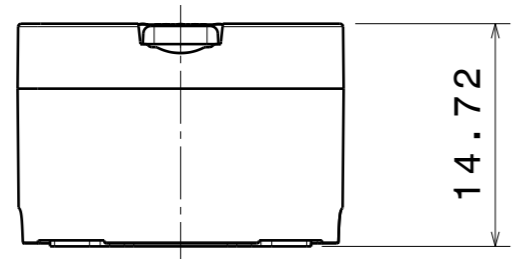
4

Bottom view  
Scale: 2:1



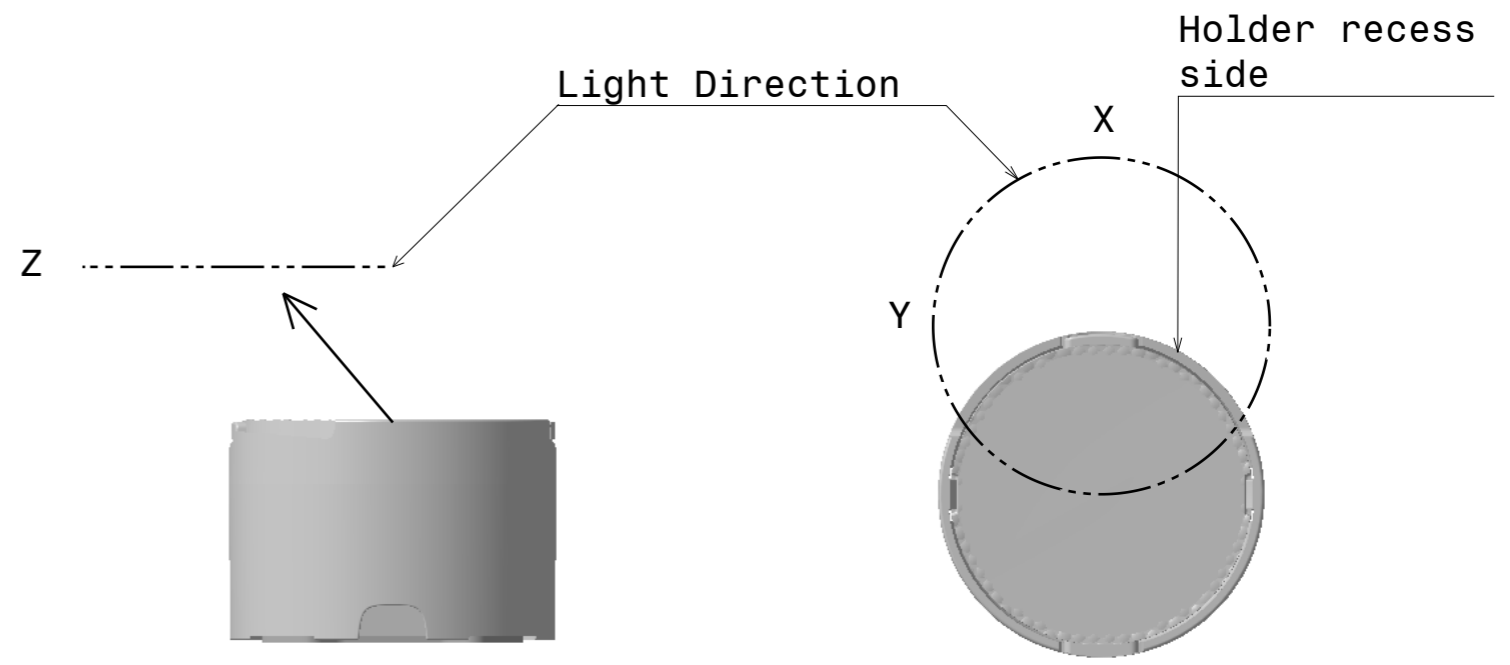
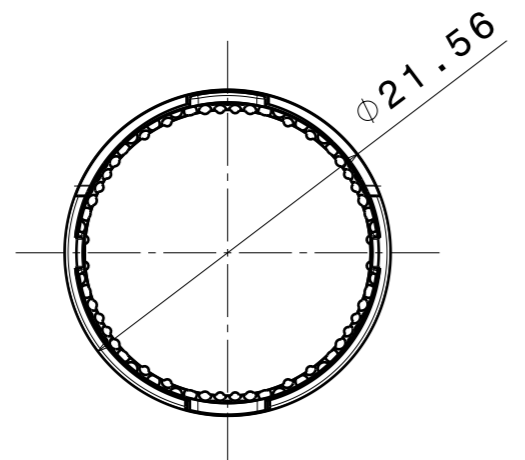
3

Front view  
Scale: 2:1



2

Top view  
Scale: 2:1



COMPONENTS  
CA16435\_LXP2-SS-WAS

| INDEX | PART                | TYPE   | MATERIAL     | COLOR / COATING |
|-------|---------------------|--------|--------------|-----------------|
| 1     | C16412_LXP2-SS-WAS  | Lens   | PMMA         | clear           |
| 2     | C14389_LXP2-WAS-HLD | Holder | PC           | black           |
| 3     | C11269_Heidi-tape   | Tape   | Acrylic foam | black           |

Notes

|   |   |
|---|---|
| 1 | PCB or heatsink level.  |
| 2 | LED location.   |
| 3 | Ensure LED fitting from a product specific 3D model available from <a href="http://www.ledil.com">www.ledil.com</a> . |
| - | -   |

|   |                             |   |
|---|-----------------------------|---|
| MECHANICAL DRAWING  |                             | <b>LEDiL</b> <sup>®</sup>   |
| PRODUCT<br><b>CA16435_LXP2-SS-WAS</b>   |                             |   |
| Tolerances if not otherwise shown<br>According to DIN ISO 2768-1<br>Linear measures: Up to 30mm<br>class M, otherwise class C.<br>According to DIN ISO 2768-2<br>Form and position: class L | FIRST ANGLE PROJECTION:<br> | This drawing is the property of LEDiL Oy. It may not be reproduced, copied or communicated without a written agreement with LEDiL Oy. |
| SCALE 1:1   | WEIGHT -                    | A3 SHEET 1/1  |

4

3

2

1