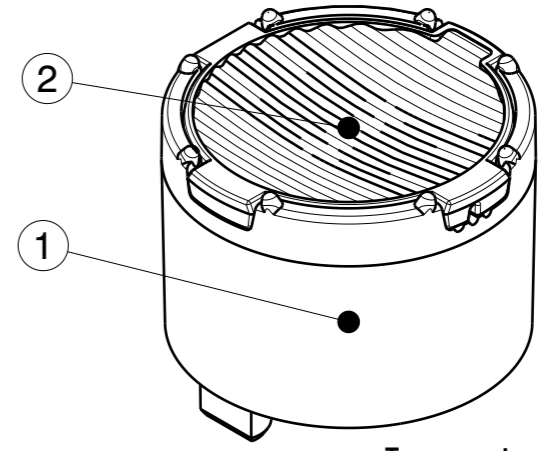
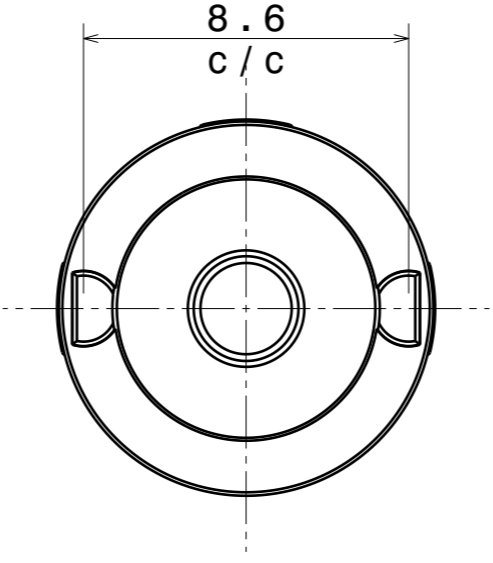
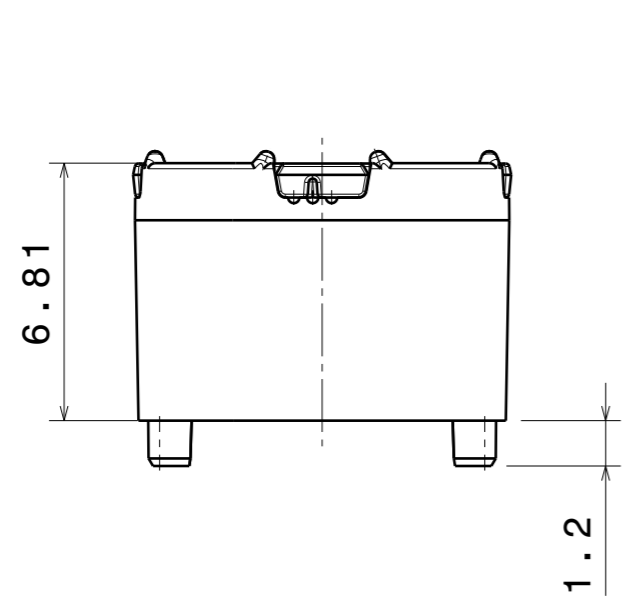
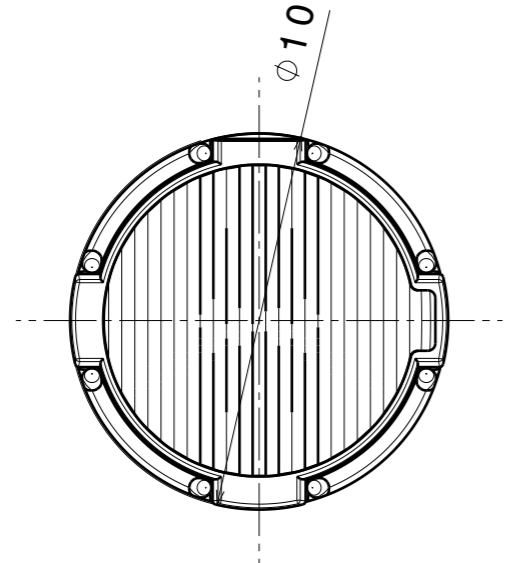


H G F E D C B A



Isometric view
Scale: 5:1



INDEX	PART NO	DESCRIPTION	MATERIAL	COLOUR
1	F10989	LISA2-HLD-PIN	PC-Lexan 123R	black
2	F11850	LISA2-0-90	PMMA 8N	clear

LEGEND

1	Inspectional dimensions marked with:
2	See CAD file for detailed geometry information. Surface finishing markings are only shown in drawing level.
Surface finish:	-
Finish specifications:	-

Tolerances if not otherwise shown
According to DIN ISO 2768-1
Linear measures:
Up to 30mm class F, otherwise class M.
According to DIN ISO 2768-2
Form and position: class K
Control for SPC marked dimensions.

LEDiL LediL Oy
Salorankatu 10
FIN 24240 SALO
Finland

THIRD ANGLE PROJECTION:

DRAWING TITLE
FP11851_LISA2-0-90-PIN

DRAWN BY	DATE
ls	24.07.2014
CHECKED BY	DATE
DESIGNED BY	DATE
-	

SIZE	PART NUMBER	REV
A3	FP11851	0

LEDiL PROPRIETARY This drawing is the property of LEDiL Oy. It may not be reproduced, copied or communicated without a written agreement with LEDiL Oy.

SCALE	5:1	WEIGHT	0,56 g	SHEET	1/1
-------	-----	--------	--------	-------	-----

H G B A