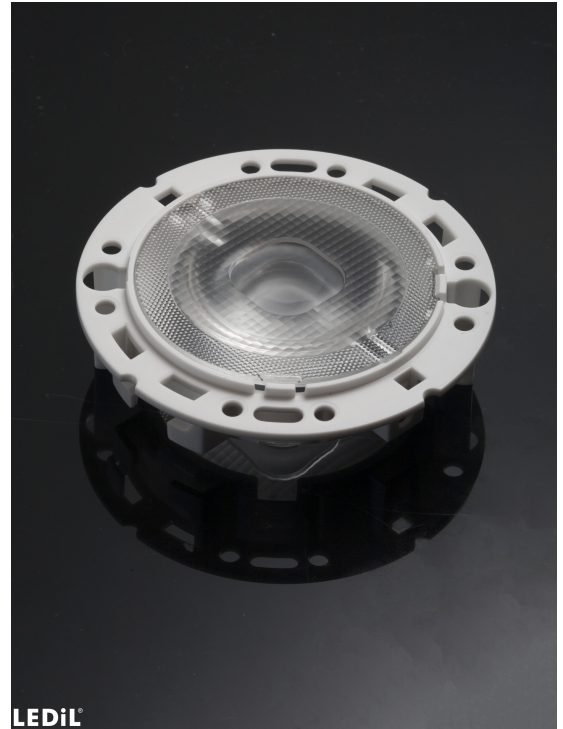


### RONDA-REC-60-B

~60° + 60° rectangular beam with holder B compatible with 3rd party connectors from BJB, IDEAL and Stucchi

#### SPECIFICATION:

Dimensions	Ø 69.9 mm
Height	14.6 mm
Fastening	screw
ROHS compliant	yes ⓘ



#### MATERIALS:

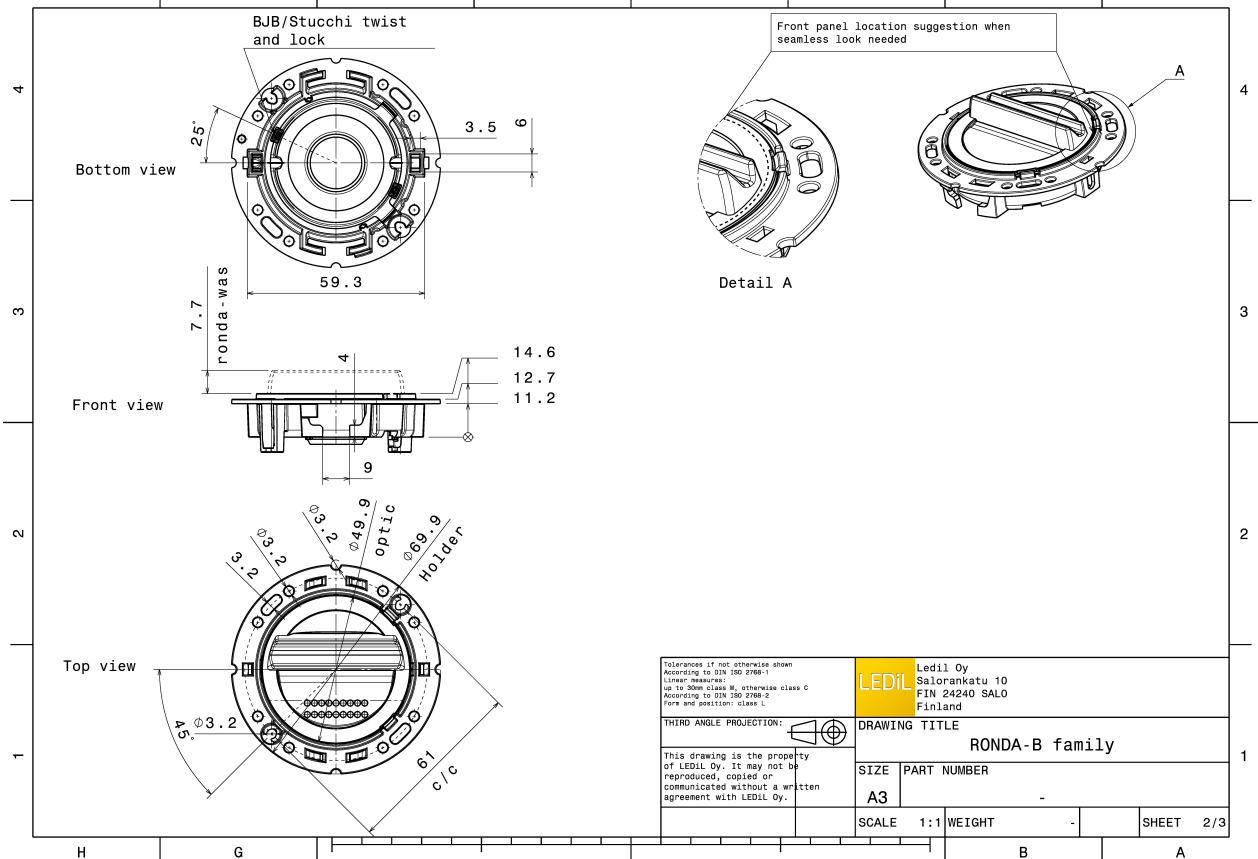
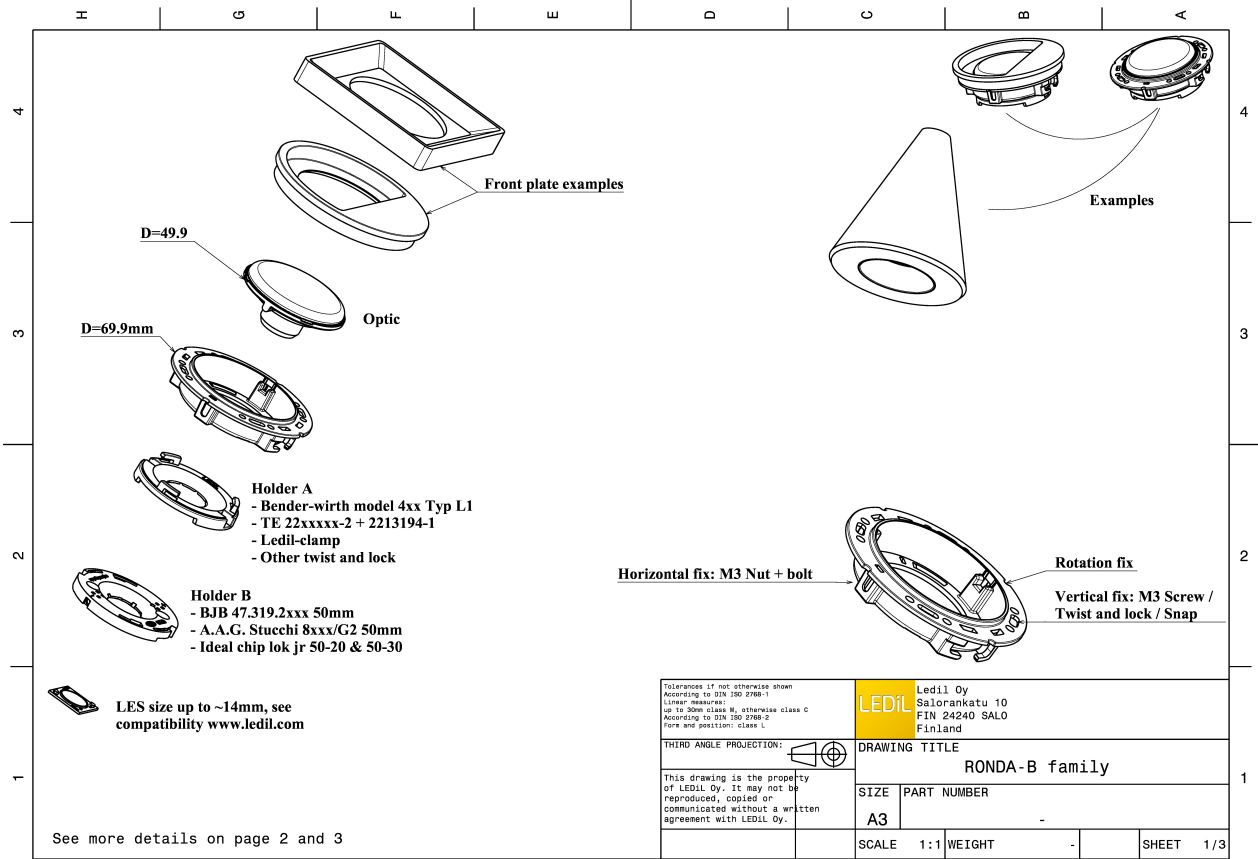
Component	Type	Material	Colour	Finish
F15556_RONDA-REC-60	Single lens	PMMA	clear	
F15586_RONDA-HLD-B	Holder	PC	white	

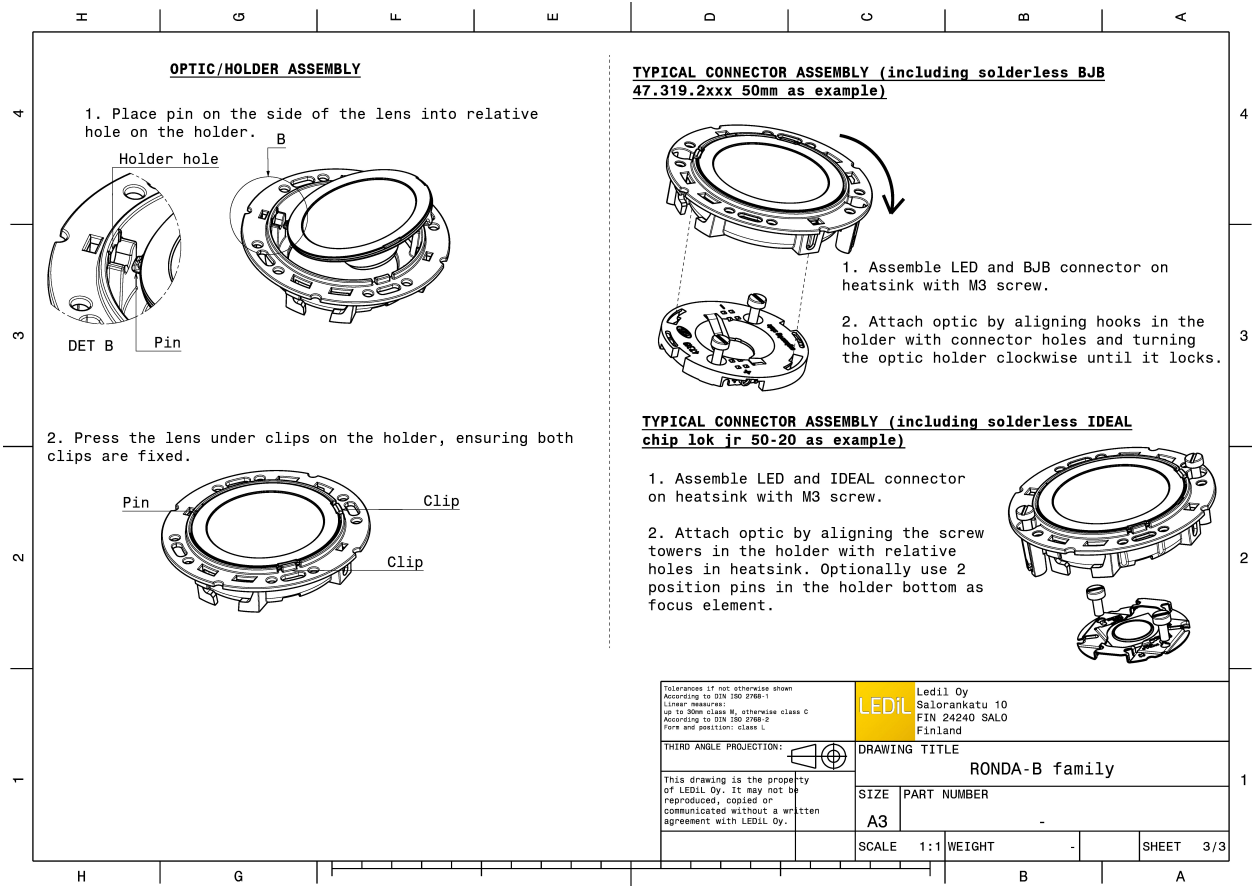
#### ORDERING INFORMATION:

##### Quantities for one set:

Single lens	1
Holder	1

Component		Qty in box	MOQ	MPQ	Box weight (kg)
F15556_RONDA-REC-60	Single lens	420	120	30	6.7
» Box size: 480 x 280 x 300 mm					
F15586_RONDA-HLD-B	Holder	420	120	30	4.4
» Box size: 480 x 280 x 300 mm					



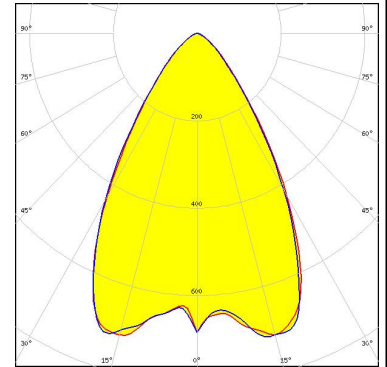


See also our general installation guide: [www.ledil.com/installation\\_guide](http://www.ledil.com/installation_guide)

### OPTICAL RESULTS (SIMULATED):



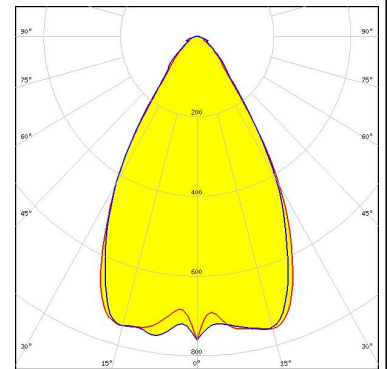
LED V10 Gen7  
FWHM / FWTM 61.0 + 59.0° / 98.0 + 97.0°  
Efficiency 86 %  
Peak intensity 0.7 cd/lm  
LEDs/each optic 1  
Light colour White  
Required components:  
IDEAL: 50-2002CT



LED CXA/B 15xx  
FWHM / FWTM 62.0°  
Efficiency 90 %  
LEDs/each optic 1  
Light colour White  
Required components:  
IDEAL: 50-2001CR



LED Mini Zenigata (GW6BM)  
FWHM / FWTM 62.0 + 59.0° / 98.0 + 92.0°  
Efficiency 89 %  
LEDs/each optic 1  
Light colour White  
Required components:  
IDEAL: 50-2000P



### GENERAL INFORMATION:

NOTE: The typical beam angle will be changed by different color, chip size and chip position tolerance. The typical total beam angle is the full angle measured where the luminous intensity is half of the peak value.

Due to use of high power COB's with this product, special attention to proper thermal design is highly recommended. LEDiL has no liability for direct, indirect or consecutive damages arising from the LEDiL products being used outside of the recommended temperature range.

### MATERIALS:

As part of our continuous research and improvement processes, and to ensure the best possible quality and availability of our products, LEDiL reserves the right to change material grades without notice.

### PRODUCT DATA USER AGREEMENT AND DISCLAIMER:

The measured data in the provided downloadable LEDiL Product Datasheets and Mechanical 2D-Drawings is rounded and provided as reference for planning. LEDiL Oy's optical specifications have been verified by conducting performance testing of the products in accordance with the company's quality system. The reported data are averaged results of multiple measurements with typical variation. LEDiL Oy reserves the right to without prior notification make changes and improvements to its products.

LEDiL Oy assumes neither warranty, nor guarantee nor any other liability of any kind for the contents and correctness of the provided data. The provided data has been generated with highest diligence but the provided data may in reality not represent the complete possible variation range of all intrinsic parameters. Therefore, in certain cases a deviation from the provided data could occur.

LEDiL Oy reserves the right to undertake technical changes of its products without further notification which could lead to changes in the provided data. LEDiL Oy assumes no liability of any kind for the possible deviation from any provided data or any other damage resulting from the usage of the provided data.

The user agrees to this disclaimer and user agreement with the download or usage of the provided files.

#### LEDiL Oy

Joensuunkatu 13  
FI-24240 SALO  
Finland

#### LEDiL Inc.

228 West Page Street  
Suite D  
Sycamore IL 60178  
USA

#### Ledil Optics Technology (Shenzhen) Co., Ltd.

# 405 , Block B  
Casic Motor Building  
Shenzhen 518057  
P.R.CHINA

#### Local sales and technical support

[www.ledil.com/  
where\\_to\\_buy](http://www.ledil.com/where_to_buy)

#### Shipping locations

Salo, Finland  
Hong Kong, China

#### Distribution Partners

[www.ledil.com/  
where\\_to\\_buy](http://www.ledil.com/where_to_buy)