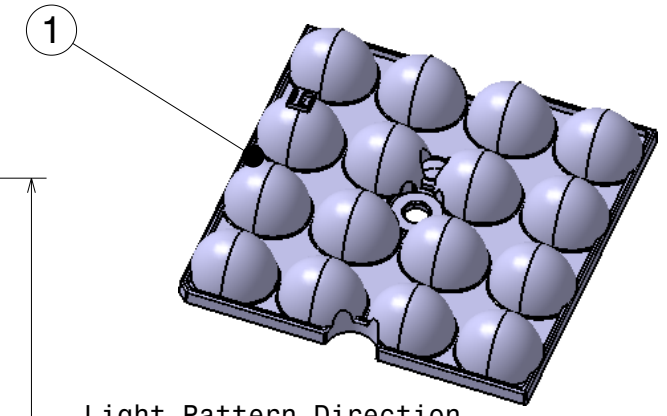
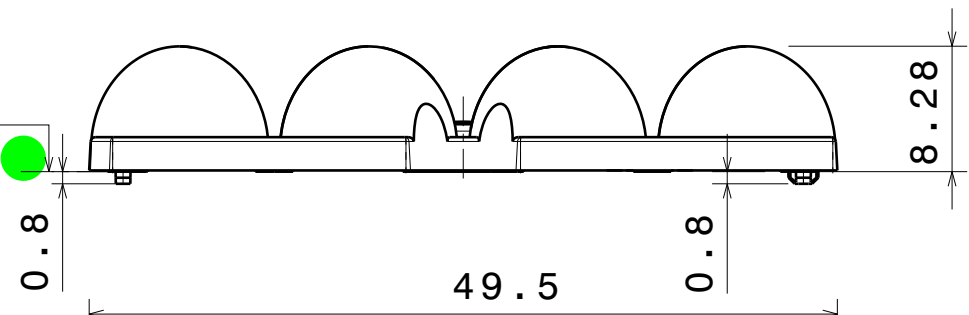
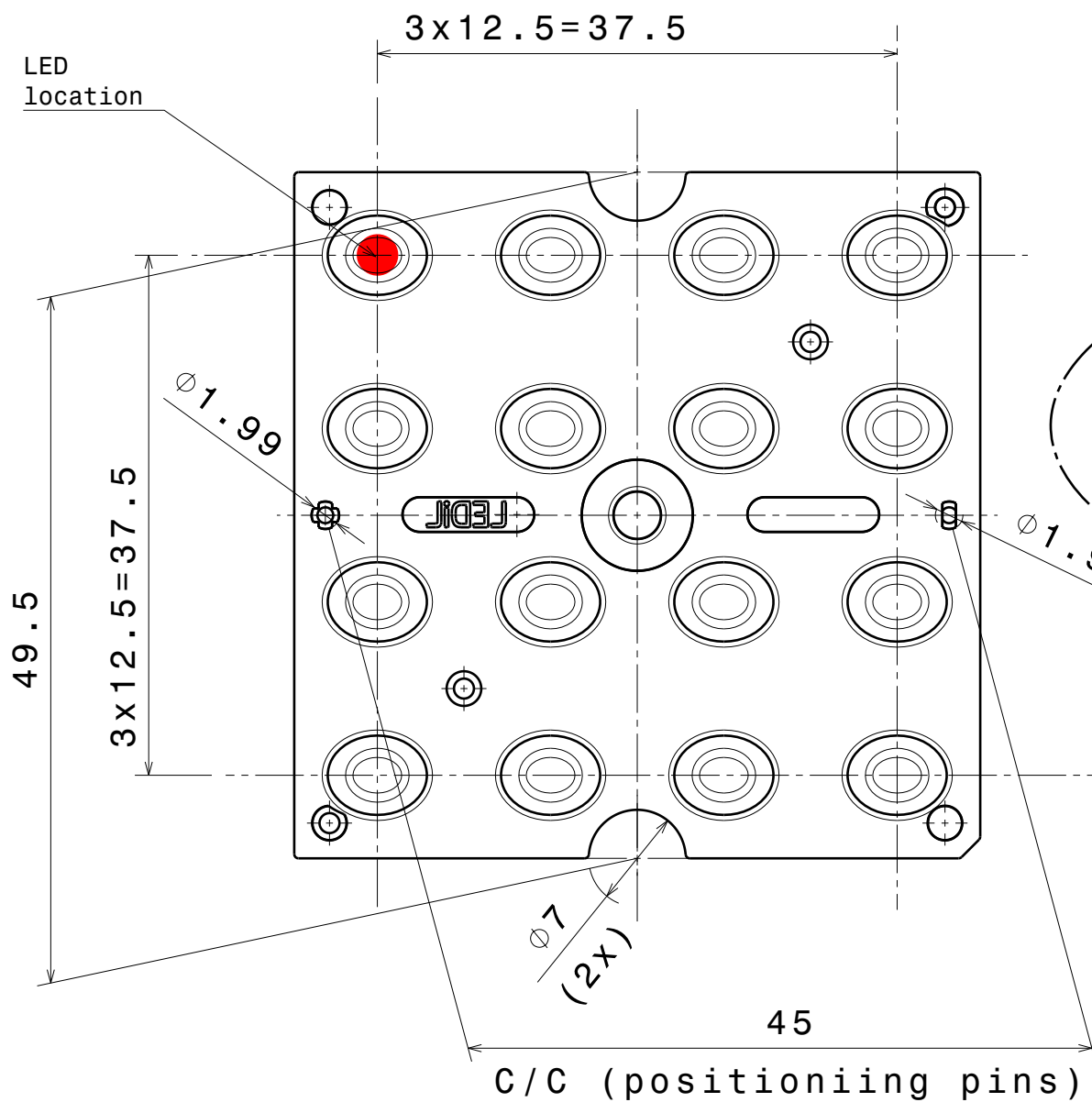
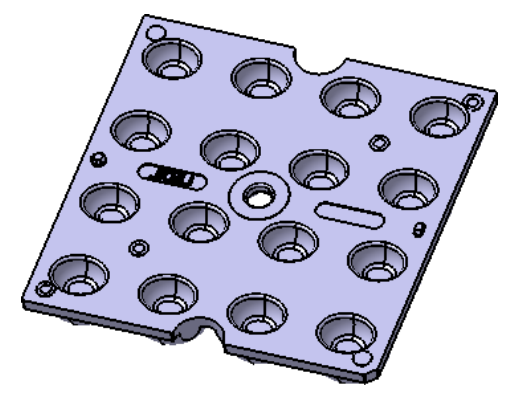


PWB level



Light Pattern Direction



COMPONENTS

INDEX	PRODUCT	TYPE	MATERIAL	COLOUR/COATING
1	C16156_STRADELLA-16-HB-0	LENS	PMMA	CLEAR

MECHANICAL DRAWING

PRODUCT
C16156_STRADELLA-16-HB-0



Tolerances if not otherwise shown
According to DIN ISO 2768-1
Linear measures:
Up to 30mm class M, otherwise class C.
According to DIN ISO 2768-2
Form and position: class L

FIRST ANGLE PROJECTION:

This drawing is the property of LEDiL Oy. It may not be reproduced, copied or communicated without a written agreement with LEDiL Oy.

SCALE	2:1 (1:1)	SIZE	A3	SHEET	1/1
-------	-----------	------	----	-------	-----

Notes

- PCB or heat sink level
 - Led location
- Ensure LED fitting from a product specific 3D model available from www.ledil.com