

Iris-OSL lens for Osram Oslon SSL LEDs



APPLICATIONS:
TORCH LIGHTS
DOWNLIGHTS
SPOTLIGHTS

OSRAM
 www.osram.com



- Specially designed for Osram Oslon SSL LED
- Lens material optical grade PMMA with high UV and temperature resistance (105°C/220°F).
- Holder material PC. Allows use of high current and temperature conditions.
- Very high optical efficiency 92%
- Tape version comes with double sided adhesive tape
- Screw version can be screwed from the bottom of the PCB
- Positioning pins to ensure right positioning.
- Medium and Oval sub lenses available

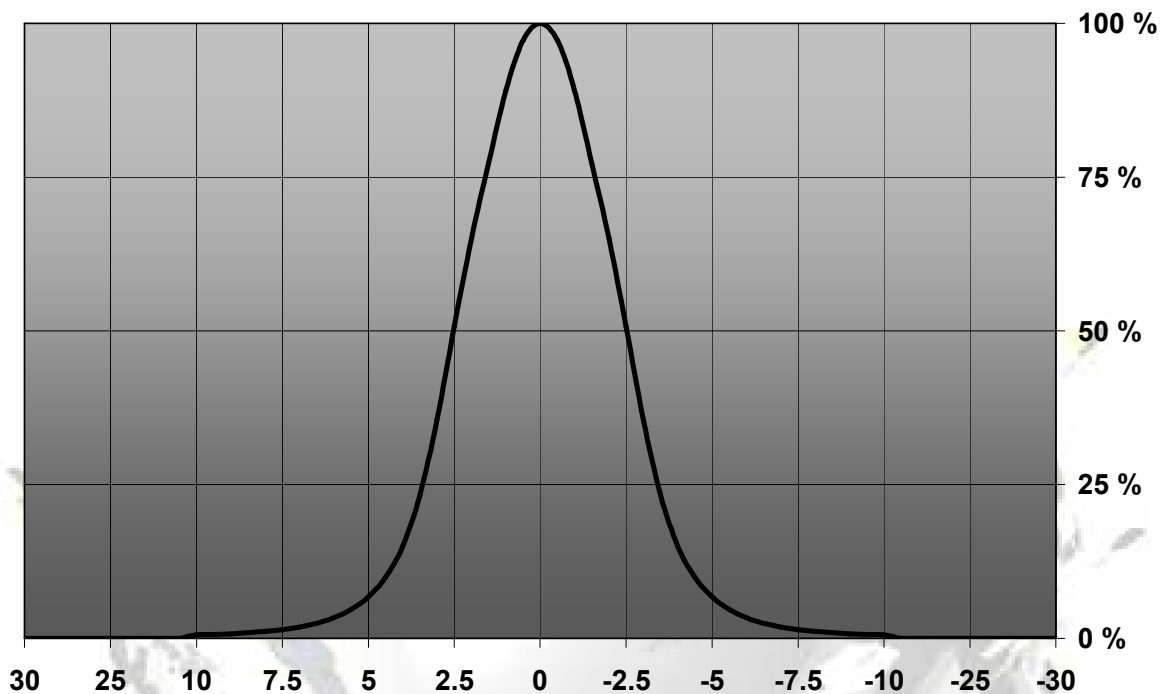
LENS TYPES

NAME	ORDERING CODE	FWHM Angle
Iris-OSL Screw version	CA11358_Iris-OSL-screw	±3°
Iris-OSL Tape version	CA11362_Iris-OSL-tape	±3°

NOTE: DELIVERED UNASSEMBLED

MEASUREMENTS

Relative Intensity of CA11358_Iris-OSL-screw



EULUMDAT & IES FILES AVAILABLE BY REQUEST

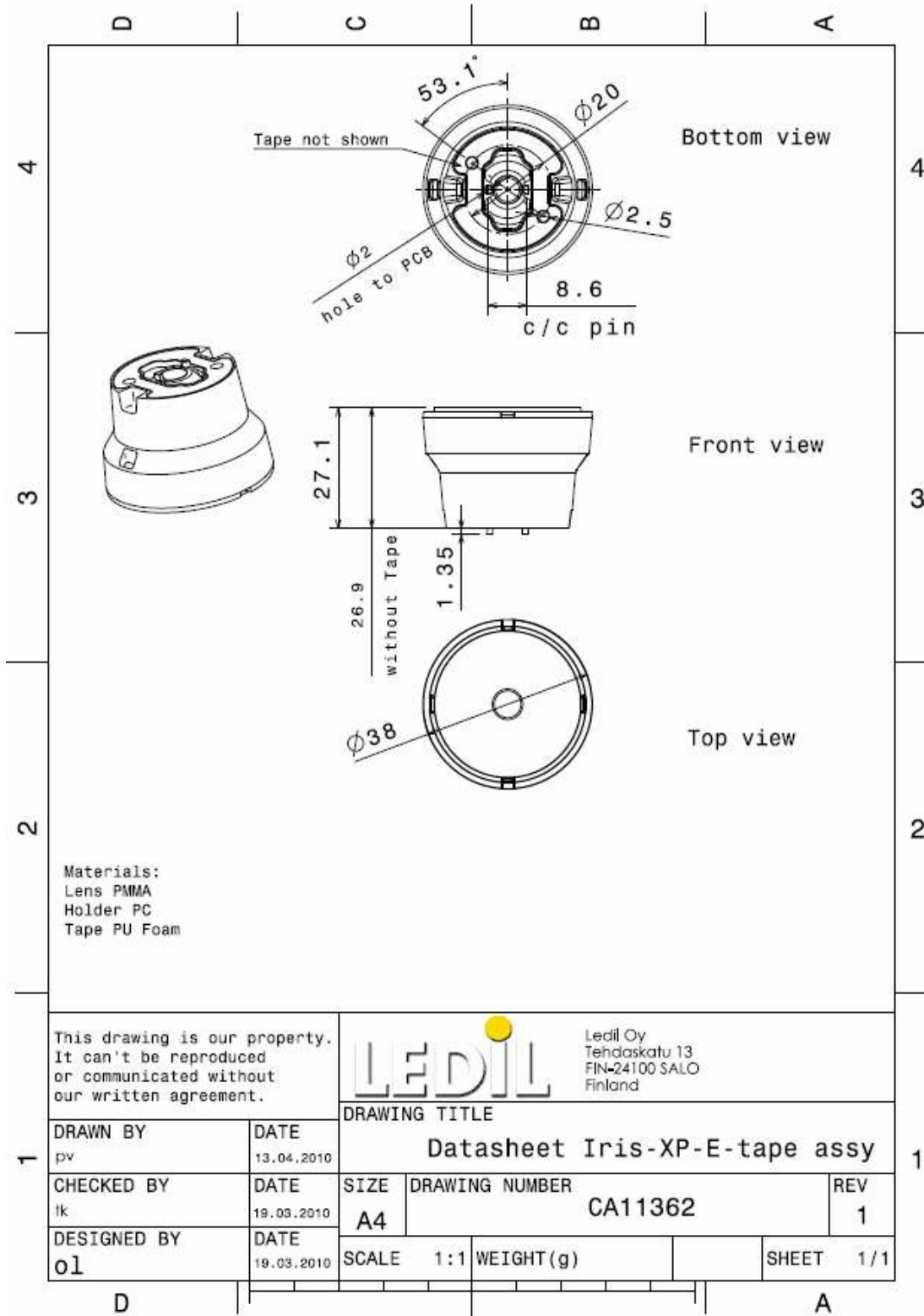
© Ledil Oy – PRELIMINARY - Subject to change without prior notice

Ledil Oy
Tehdaskatu 13
FIN-24100 SALO, Finland

www.ledil.com
email: ledil@ledil.com
FAX: +358-2-733 8001

2010-06-30

DRAWINGS



© Ledil Oy - PRELIMINARY - Subject to change without prior notice