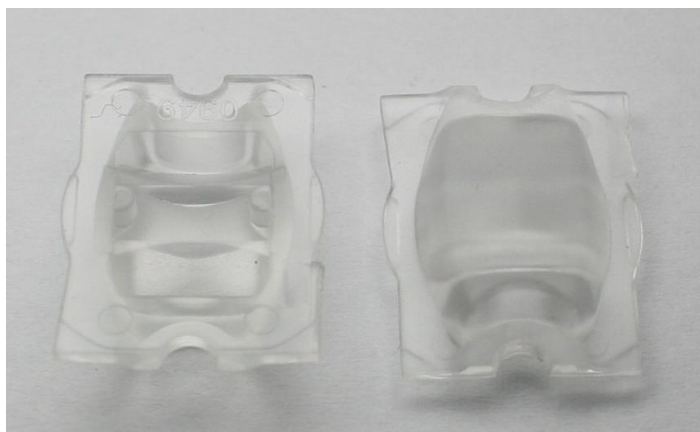
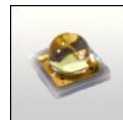


STRADA-B2-OSL LENS FOR OSRAM Oslon SSL/SX LEDs



OSRAM
www.osram.com



C10949_Strada-B2-OSL

- Specially designed for Osram-os Oslon series of LEDs.
- New extremely wide street light design with very wide horizontal and vertical angle.
- Special care taken to make a uniform white or warm white illumination.
- Comes with integrated positioning pins, see drawing below for more details.
- Lens material optical grade PMMA with high UV and temperature resistance (105°C/220°F). Allows use of high current and temperature conditions
- Best available optical efficiency, approximately 96%.
- Fastening to heat sink with positioning pins or with PU foam adhesive tape of automotive grade, please select which suits the best for your needs.
- Please check fastening details from this link:
(http://www.ledil.com/datasheets/DataSheet_TAPE.pdf)

LENS TYPES

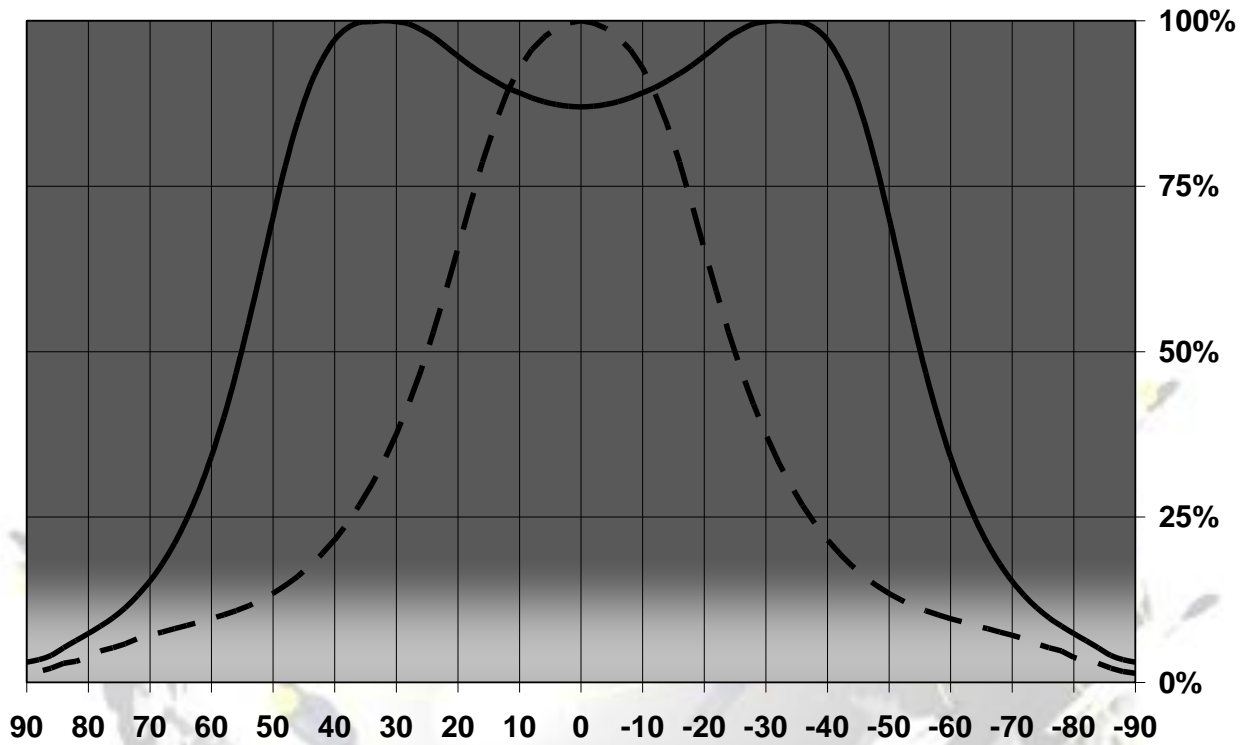
NAME	ORDERING CODE	FWHM Angle
Strada-B2-OSL	C10949_Strada-B2-OSL	±55° x ±25°
Strada-B2-OSL-tape	CA10950_Strada-B2-OSL-tape	±55° x ±25°

NAME	ORDERING CODE	FWHM Angle
Strada-B2-OSL	C10949_Strada-B2-OSL-SX	To be measured shortly
Strada-B2-OSL-tape	CA10950_Strada-B2-OSL-SX-tape	To be measured shortly

© Ledil Oy – PRELIMINARY - Subject to change without prior notice

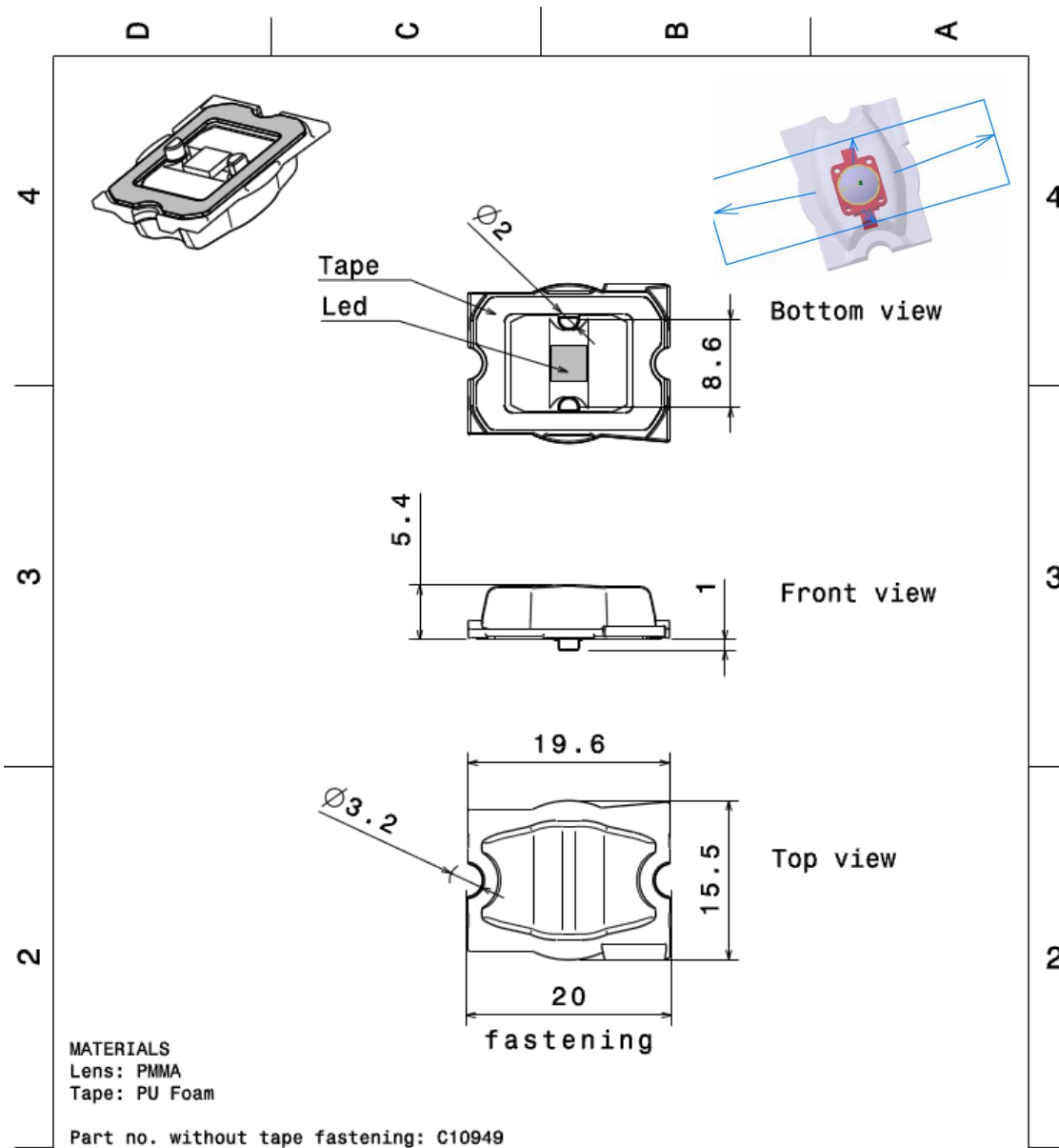
MEASUREMENT DATA

Relative Intensity of C10949_Strada-B2-OSL



© Ledil Oy – PRELIMINARY - Subject to change without prior notice

DRAWINGS



This drawing is our property. It can't be reproduced or communicated without our written agreement.



Ledil Oy
 Tehdaskatu 13
 FIN-24100 SALO
 Finland

DRAWN BY pv		DATE 13.08.2009	DRAWING TITLE Datasheet Strada-B2-OSL Assy		
CHECKED BY tk	DATE 12.06.2009	SIZE A4	DRAWING NUMBER CA10950	REV 0.1	
DESIGNED BY hh	DATE 12.06.2009	SCALE 2:1	WEIGHT(g)	SHEET 1/1	

EULUMDAT & IES FILES AVAILABLE BY REQUEST

© Ledil Oy - PRELIMINARY - Subject to change without prior notice