

STRADA-DW-RE LENSES FOR LUXEON REBEL LEDs

LUXEON



- Specially designed for Luxeon Rebel series of LEDs.
- New extremely wide SIDE-EMITTING design with very and uniform light distribution.
- Comes with integrated positioning pins.
- Lens material optical grade PMMA with high UV and temperature resistance (105°C/220°F). Allows use of high current and temperature conditions
- Best available optical efficiency, approximately 92%.
- Fastening to heat sink with or without PU foam adhesive tape of automotive grade, please select which suits the best for your needs.
- We advise customer to ensure the suitability and sufficiency of the bond in the end product. For example, mechanical stress, vibration and holes on the surface of the circuit board weaken the strength of the tape.
- Please check fastening details from this link:
(http://www.ledil.com/datasheets/DataSheet_TAPE.pdf)

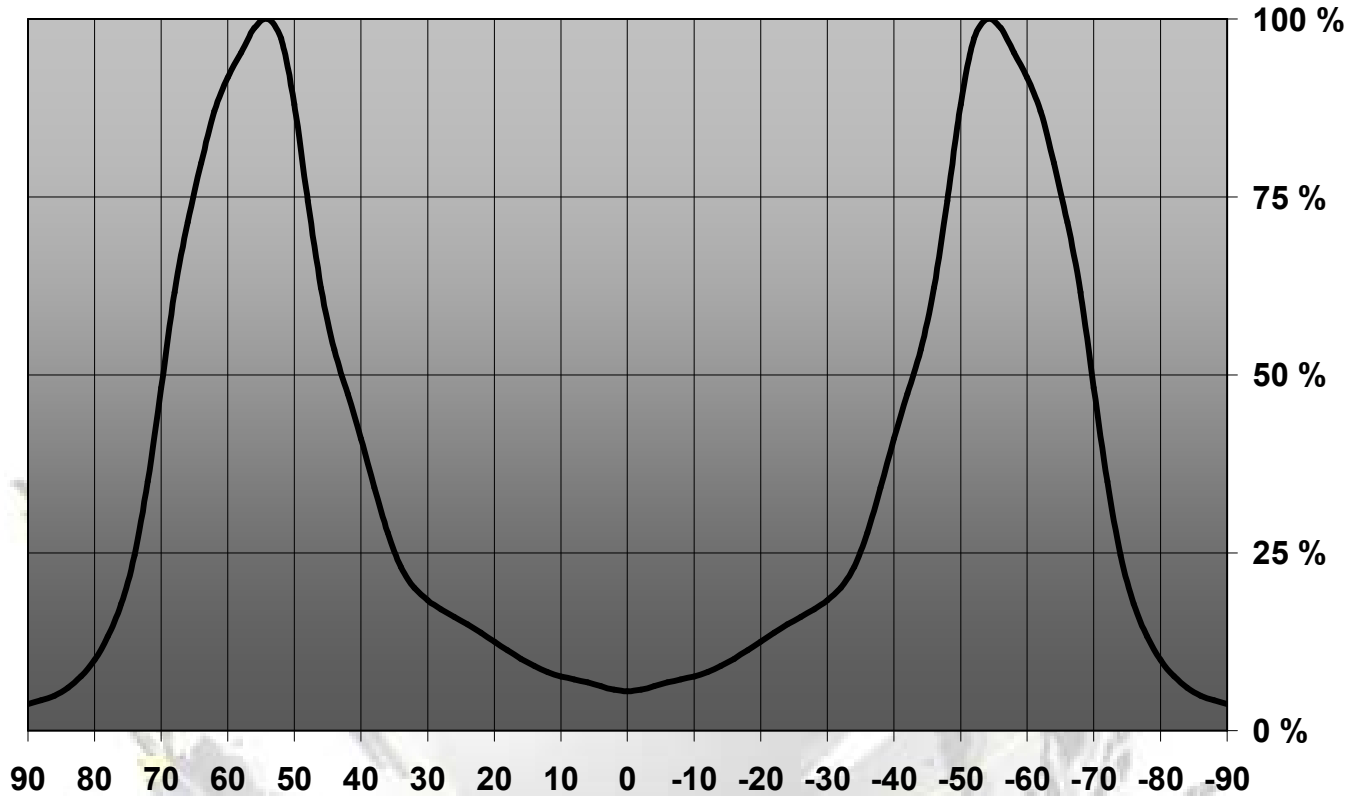
LENS TYPES

| NAME | ORDERING CODE | FWHM Angle |
|-------------------|---------------------------|-------------|
| Strada-DW-RE | C11255_Strada-DW-RE | ±43° & ±70° |
| Strada-DW-RE-TAPE | CA11256_Strada-DW-RE-tape | ±43° & ±70° |

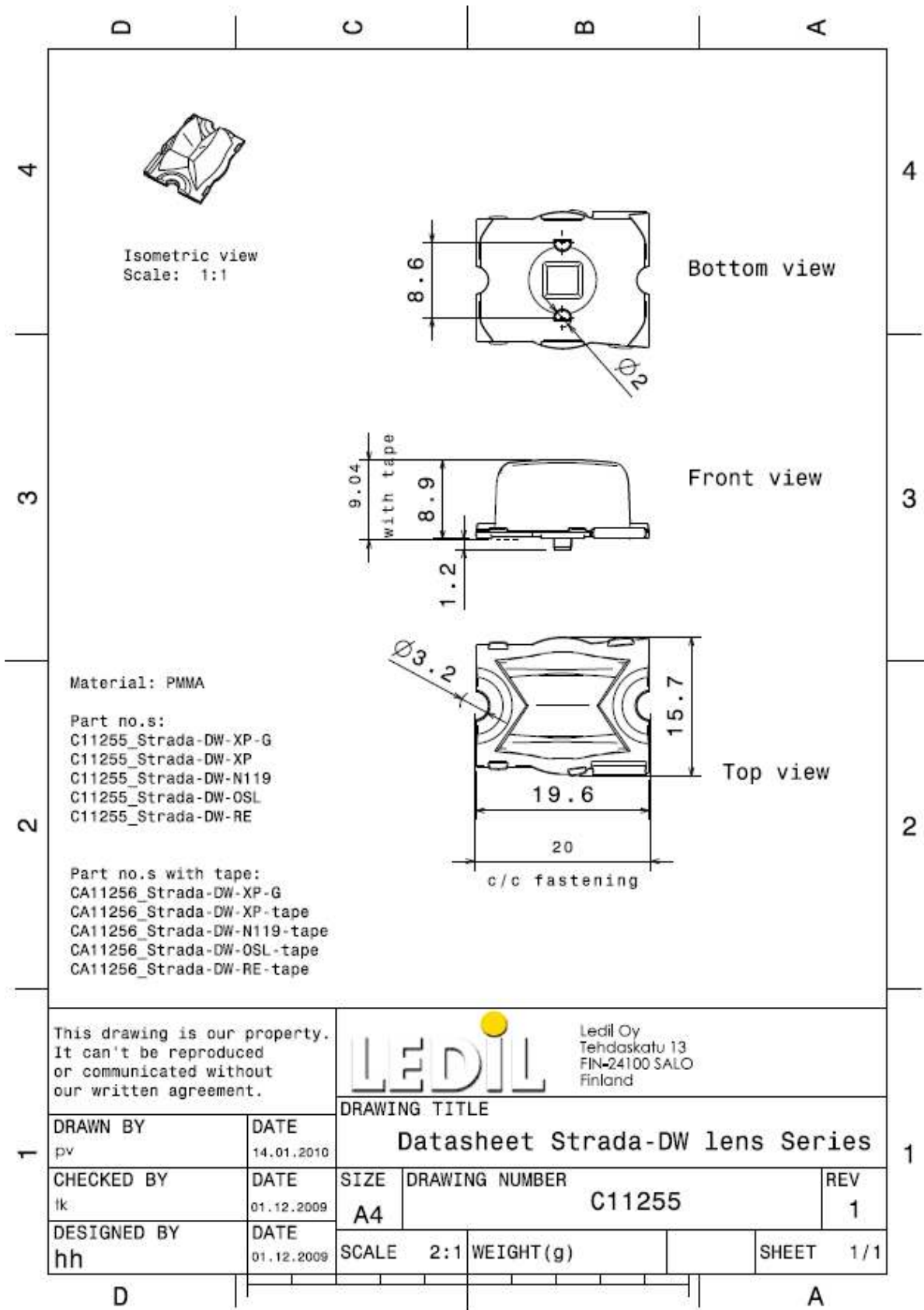
© Ledil Oy – PRELIMINARY - Subject to change without prior notice

MEASUREMENT DATA & DRAWING

Relative Intensity of C11255_Strada-DW-RE



© Ledil Oy – PRELIMINARY - Subject to change without prior notice



© Ledil Oy - PRELIMINARY - Subject to change without prior notice