

D

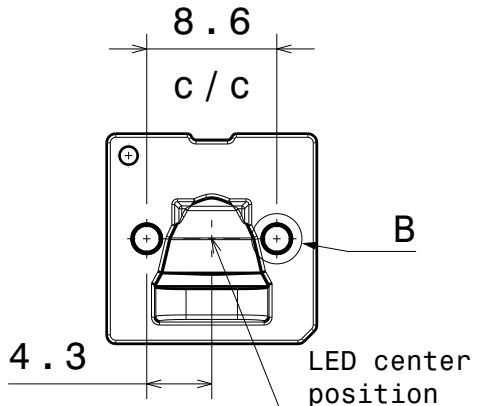
C

B

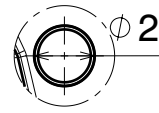
A

4

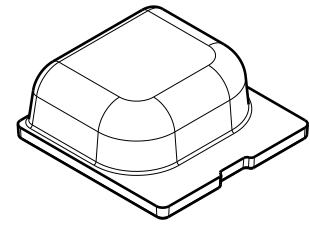
4



Bottom view
Scale: 2:1



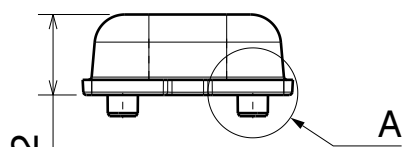
Detail B
Scale: 4:1



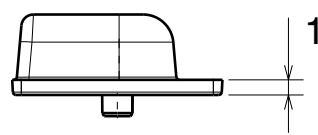
Isometric view
Scale: 2:1

3

3



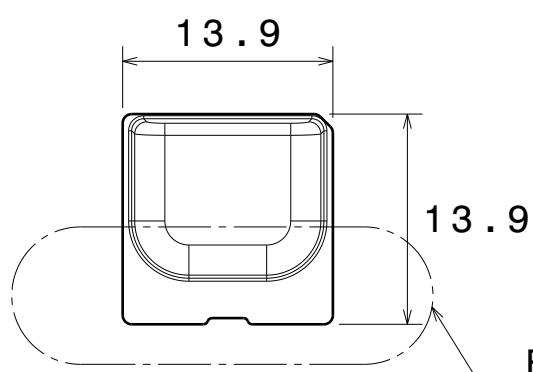
Front view
Scale: 2:1



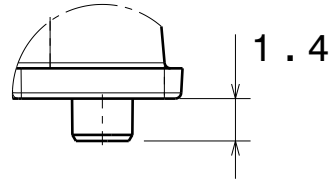
Left view
Scale: 2:1

2

2



Top view
Scale: 2:1



Detail A
Scale: 4:1

Tolerances if not otherwise shown
According to DIN ISO 2768-1
Linear measures:
Up to 30mm class M, otherwise class C.
According to DIN ISO 2768-2
Form and position: class L

LEDiL	Ledil Oy		
	Salorankatu 10 FIN 24240 SALO Finland		

THIRD ANGLE PROJECTION:

DRAWING TITLE
STRADELLA-T1-A mechanical drawing

This drawing is the property of LEDiL Oy. It may not be reproduced, copied or communicated without a written agreement with LEDiL Oy.

SIZE	PART NUMBER		
A4	C16006		

SCALE	2:1	WEIGHT		SHEET	1/1
-------	-----	--------	--	-------	-----

D

A

1