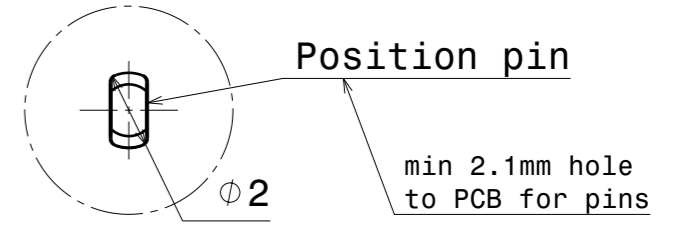
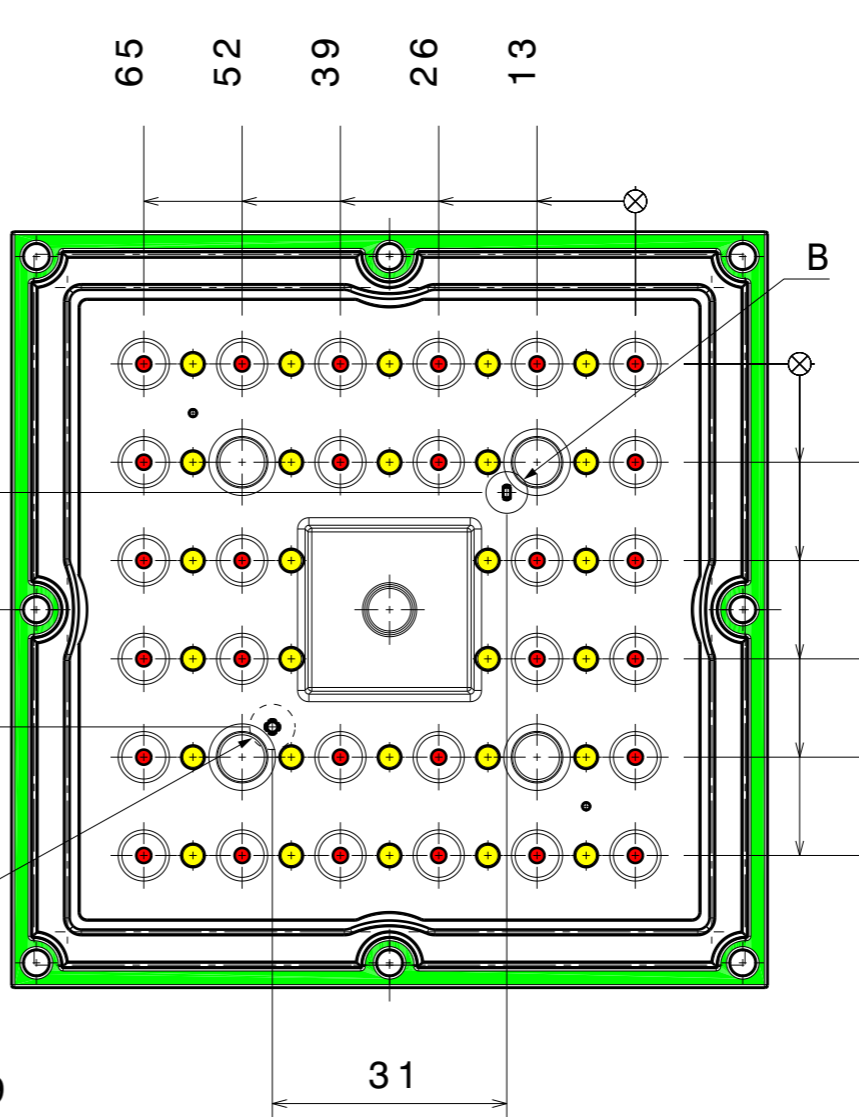
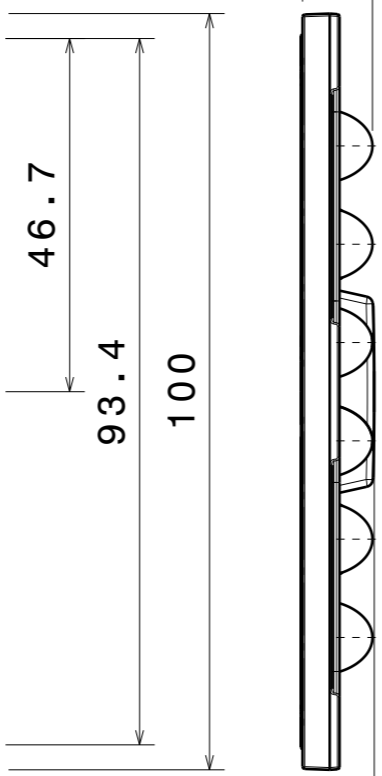
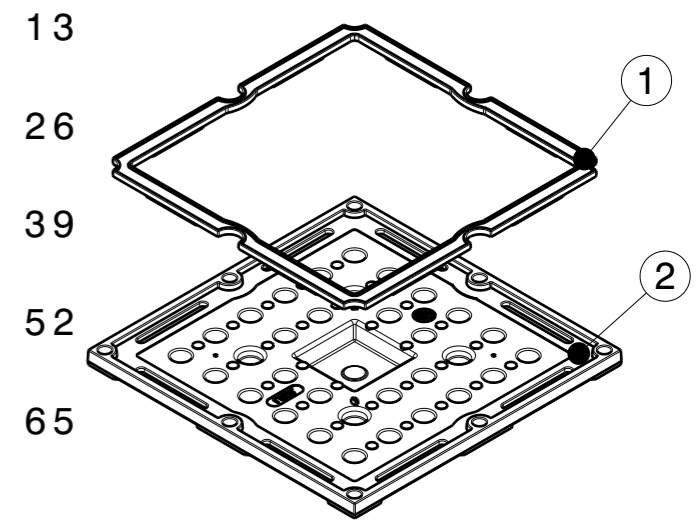


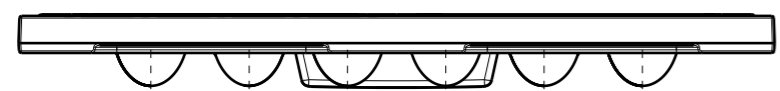
See Code table
Height (9.25)



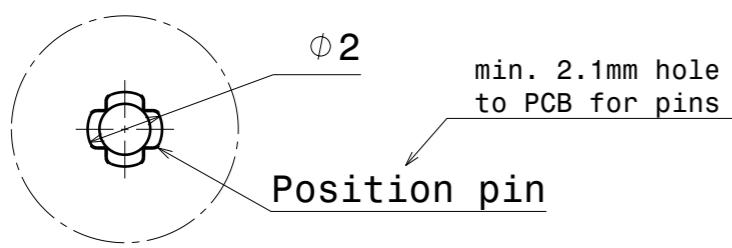
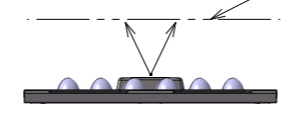
Detail B
Scale: 5:1



Isometric exploded view
Scale: 1:2

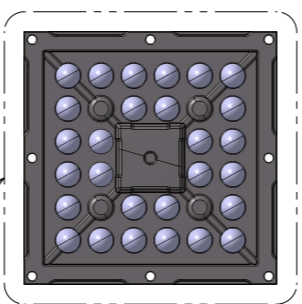


Light pattern direction



Detail A
Scale: 5:1

Light pattern direction



Code table:

Assembly code	Lens code	Name	Material	Height
CS16322	C16319	STRADELLA-IP-28-HB-S	PMMA	9.20mm
CS16323	C16320	STRADELLA-IP-28-HB-M	PMMA	8.57mm
CS16324	C16321	STRADELLA-IP-28-HB-W	PMMA	8.47mm
CS16328	C16325	STRADELLA-IP-28-HB-S-PC	PC	9.20mm
CS16329	C16326	STRADELLA-IP-28-HB-M-PC	PC	8.57mm
CS16330	C16327	STRADELLA-IP-28-HB-W-PC	PC	8.47mm

COMPONENTS

INDEX	PRODUCT	TYPE	MATERIAL	COLOUR
1	C15900_STRADELLA-28-SEAL	GASKET	SILICONE	white
2	See Code table	LENS	See code table	clear

MECHANICAL DRAWING

PRODUCT
STRADELLA-IP-28-HB-family



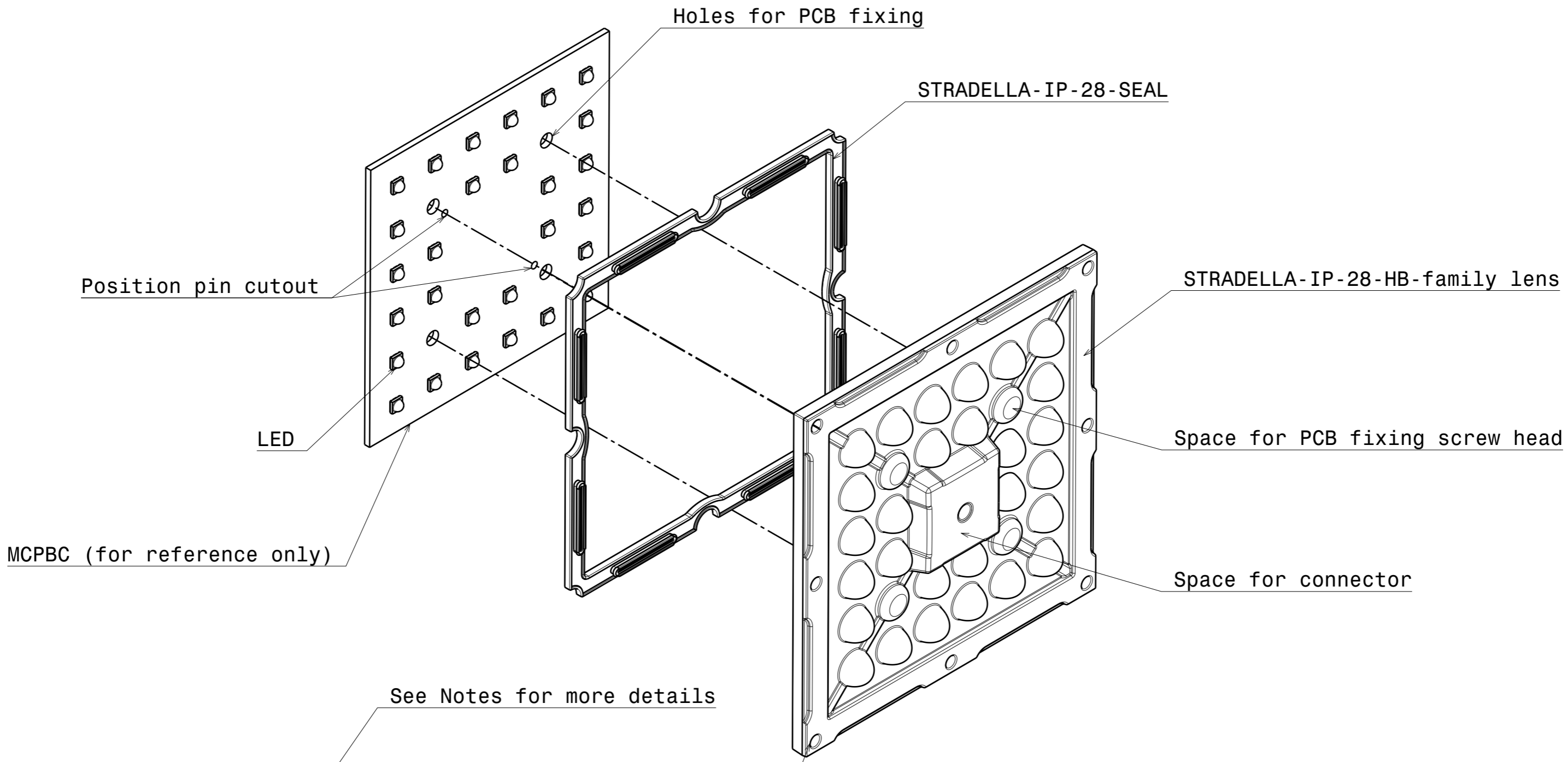
Tolerances if not otherwise shown
According to DIN ISO 2768-1
Linear measures:
Up to 30mm class M, otherwise class C.
According to DIN ISO 2768-2
Form and position: class L

FIRST ANGLE PROJECTION:

This drawing is the property of LEDiL Oy. It may not be reproduced, copied or communicated without a written agreement with LEDiL Oy.

SCALE	1:1	SIZE	A3	SHEET	1/2
-------	-----	------	----	-------	-----

- Notes**
- Heat Sink level
 - PCB level
 - Led location see red dot
- Ensure LED fitting, see our web site and/or 3D model for part detail.
See installation details page 2.



MCPBC (for reference only)

Position pin cutout

LED

Holes for PCB fixing

STRADELLA-IP-28-SEAL

STRADELLA-IP-28-HB-family lens

Space for PCB fixing screw head

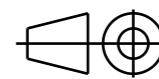
Space for connector

See Notes for more details

LENS fixing:
 8pcs M3 screw recommended for fixing
 Use washer with screw if possible
 Use maximum tightening torque of 0.60Nm
 Countersunk screws not allowed

Notes

Please see more details for fastening in LEDiL Installation guide, www.ledil.com
 Seal is tested to work in LEDiL's test assemblies. Customer is recommended to test the sealing in the end product due many variables, such as heat sink surface and possible chemical traces.

MECHANICAL DRAWING		LEDiL[®]			
PRODUCT STRADELLA-IP-28-HB-family					
Tolerances if not otherwise shown According to DIN ISO 2768-1 Linear measures: Up to 30mm class M, otherwise class C. According to DIN ISO 2768-2 Form and position: class L	FIRST ANGLE PROJECTION: 	This drawing is the property of LEDiL Oy. It may not be reproduced, copied or communicated without a written agreement with LEDiL Oy.			
SCALE	1:1	SIZE	A3	SHEET	2/2