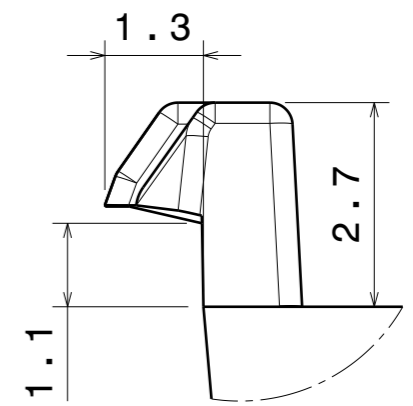
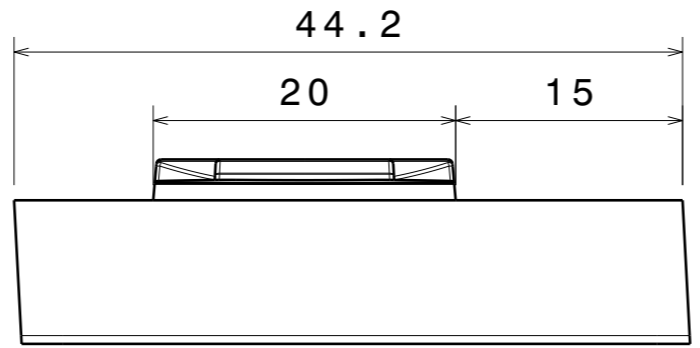
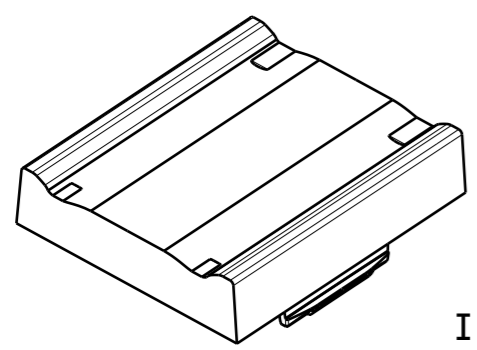
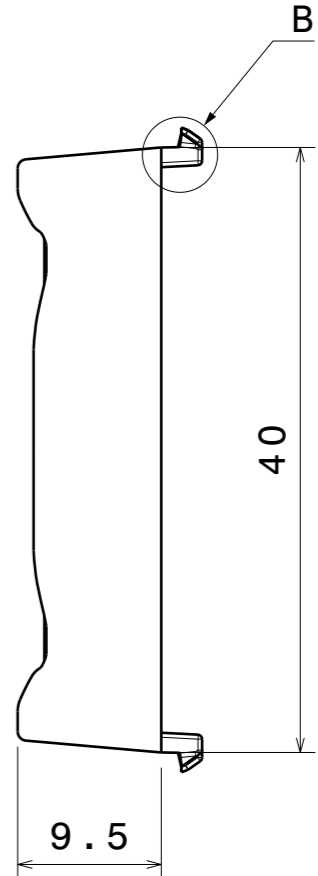
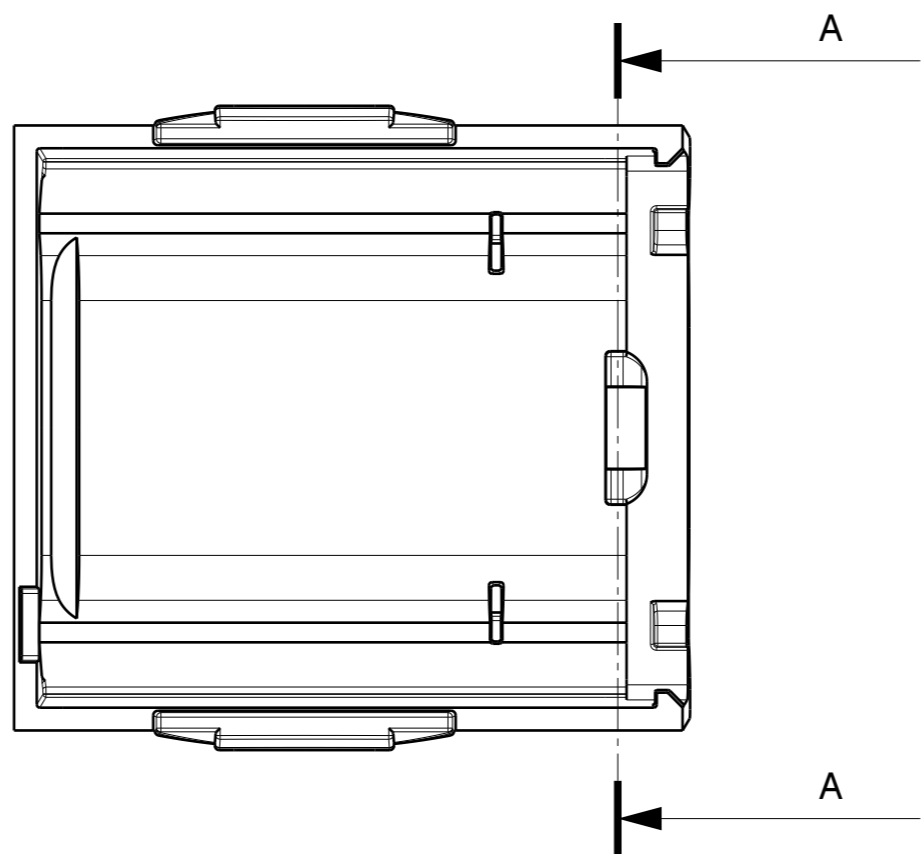
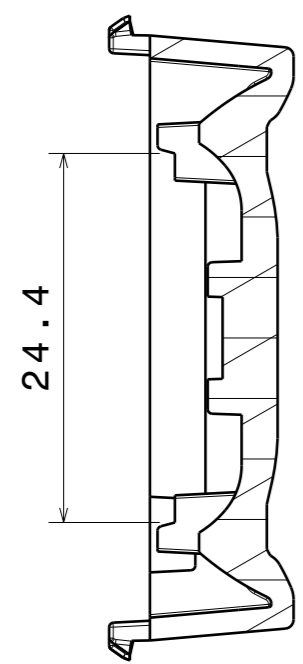


H G F E D C B A



Detail B
Scale: 10:1

Section view A-A
Scale: 2:1



Isometric view
Scale: 1:1

INDEX	PART NO	DESCRIPTION	MATERIAL	COLOUR
1	F16182	LINNEA-90-END-ML	PC	clear

Tolerances if not otherwise shown
According to DIN ISO 2768-1
Linear measures:
Up to 30mm class M, otherwise class C.
According to DIN ISO 2768-2
Form and position: class L

LEDiL LediL Oy
Salorankatu 10
FIN 24240 SALO
Finland

FIRST ANGLE PROJECTION:

DRAWING TITLE
F16182_LINNEA-90-END-ML

This drawing is the property of LEDiL Oy. It may not be reproduced, copied or communicated without a written agreement with LEDiL Oy.

SIZE	PART NUMBER		
A3	F16182		

SCALE	2:1	WEIGHT	5,95g	SHEET	1/1
-------	-----	--------	-------	-------	-----

H G B A