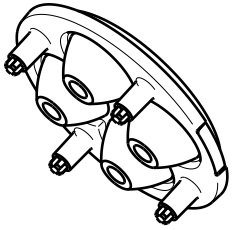


D

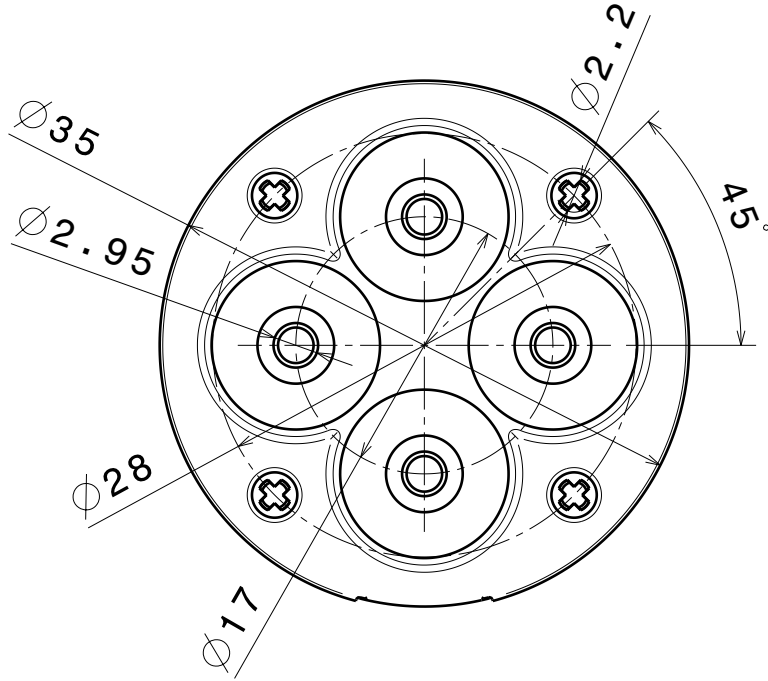
C

B

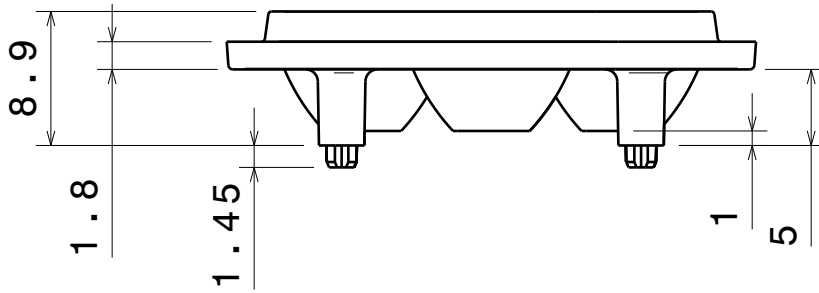
A



Isometric view  
Scale: 1:1



Bottom view



Front view

Material: PMMA

This drawing is our property.  
It can't be reproduced  
or communicated without  
our written agreement.



L  
T  
F  
F

e  
e  
i  
i  
N  
n

d

DRAWING TITLE

Datasheet GT4-XP series Lens

DRAWN BY

DATE

p

30.12.2009

CHECKED BY

DATE

s

n

23.12.2009

DESIGNED BY

DATE

hh

23.07.2009

SIZE

A4

DRAWING NUMBER

C10921

REV

1

SCALE

2:1

WEIGHT (g)

SHEET

1/1

D

A

4

4

3

3

2

2

1

1