



PRODUCT CHANGE NOTIFICATION

Date: April 20, 2016
 PCN: PCN LEDIL 118 a

Subject: PCN 118 a - Change of packaging quantities and packaging type

Description: As part of our continuous improvement process regarding the logistics LEDiL has changed the packaging quantities of following products. Package type changes from plastic tray to foam tray.

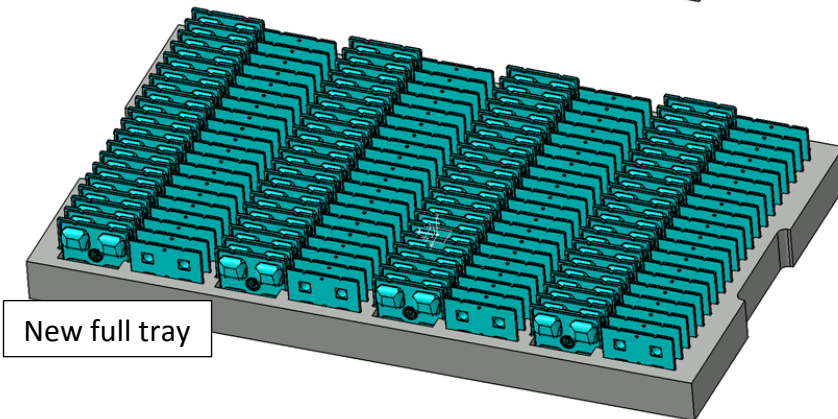
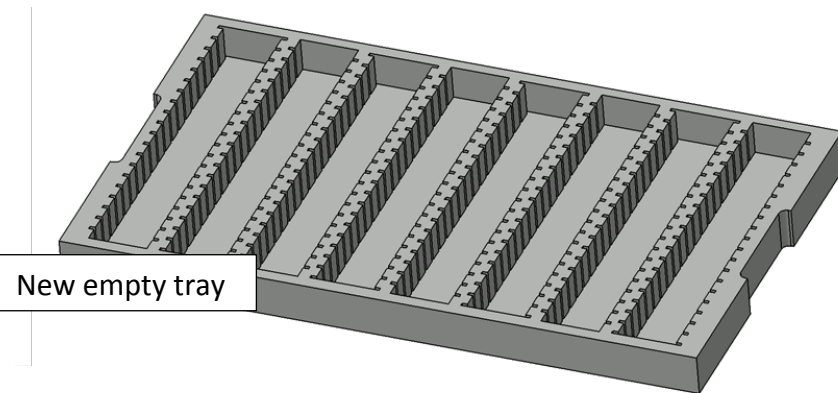
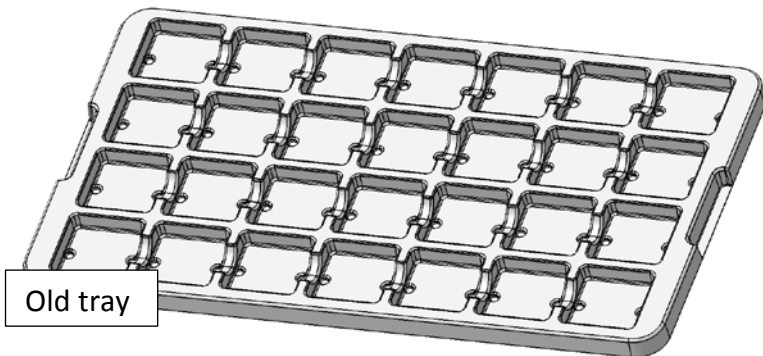
Time line: This change is valid during Q2 2016

Changes:

AFFECTED PRODUCT	Old BOX qty.	Upd. BOX qty.	Old MPQ	Upd. MPQ	Old MOQ	Upd. MOQ	Old Gr2	Upd. Gr2	Old Gr3	Upd. Gr3
C12360_STRADA-2X2-DNW	672	800	28	160	28	160	672	800	10080	10400
C12361_HB-2X2-W	756	800	28	160	28	160	756	800	10584	10400
C12362_STRADA-2X2-DWC	756	800	28	160	28	160	756	800	10584	10400
C12419_STRADA-2X2-A-T	756	800	28	160	28	160	756	800	10584	10400
C13232_HB-2X2-WW	756	800	28	160	28	160	756	800	10584	10400
C13233_HB-2X2-M	756	800	28	160	28	160	756	800	10584	10400
C13237_HB-2X2-WW-BLIND	756	800	28	160	28	160	756	800	10584	10400
C13239_HB-2X2-M-BLIND	756	800	28	160	28	160	756	800	10584	10400
C13299_STRADA-2X2-ME	756	800	28	160	28	160	756	800	10584	10400
C13300_STRADA-2X2-T2	756	800	28	160	28	160	756	800	10584	10400
C13301_STRADA-2X2-T3	756	800	28	160	28	160	756	800	10584	10400
C13499_STRADA-2X2-CY	756	800	28	160	28	160	756	800	10584	10400
C13604_STRADA-2X2-FN	756	800	28	160	28	160	756	800	10584	10400
C13605_HB-2X2-RW	756	800	28	160	28	160	756	800	10584	10400
C13699_STRADA-2X2-DN	756	800	28	160	28	160	756	800	10584	10400
C13749_HB-2X2-O	616	800	28	160	28	160	616	800	10472	10400
C13805_STRADA-2X2-T4	756	800	28	160	28	160	756	800	10584	10400
C13858_STRADA-2X2-XW	756	800	28	160	28	160	756	800	10584	10400
C13936_STRADA-2X2-B2-STP	756	800	28	160	28	160	756	800	10584	10400
C13937_STRADA-2X2-C-STP	756	800	28	160	28	160	756	800	10584	10400
C14109_STRADA-2X2-NHS	616	800	28	160	28	160	616	800	10472	10400
C14116_STRADA-2X2-PX	616	800	28	160	28	160	616	800	10472	10400
C14164_STRADA-2X2-ME-WIDE1	616	800	28	160	28	160	616	800	10472	10400
C14165_STRADA-2X2-ME-WIDE2	616	800	28	160	28	160	616	800	10472	10400
C14515_STRADA-2X2-ME	756	800	28	160	28	160	756	800	10584	10400
C14517_STRADA-2X2-DWC	756	800	28	160	28	160	756	800	10584	10400
C14541_HB-2X2-RS	616	800	28	160	28	160	616	800	10472	10400



C14556_STRADA-2X2-TF	616	800	28	160	28	160	616	800	10472	10400
C14605_HB-2X2-RW	756	800	28	160	28	160	756	800	10584	10400
C14606_HB-2X2-WW	756	800	28	160	28	160	756	800	10584	10400
C14607_HB-2X2-M	756	800	28	160	28	160	756	800	10584	10400
C14680_STRADA-2X2-VSM	616	800	28	160	28	160	616	800	10472	10400
C14724_HB-2X2-WWW	616	800	28	160	28	160	616	800	10472	10400
C14750_STRADA-2X2-CAT	616	800	28	160	28	160	616	800	10472	10400
C14896_STRADA-2X2-PXL	616	800	28	160	28	160	616	800	10472	10400
C15014_STRADA-2X2-T4-B	644	800	28	160	28	160	644	800	10304	10400
C15021_STRADA-2X2-SCL	616	800	28	160	28	160	616	800	10472	10400
C15135_STRADA-2X2-T1	616	800	28	160	28	160	756	800	10584	10400
C15034_STRADELLA-8-T2	616	800	28	160	28	160	616	800	10472	10400
C15035_STRADELLA-8-T3	616	800	28	160	28	160	616	800	10472	10400
C15183_STRADELLA-8-HB-S	616	800	28	160	28	160	616	800	10472	10400
C15184_STRADELLA-8-HB-M	616	800	28	160	28	160	616	800	10472	10400
C15185_STRADELLA-8-HB-W	616	800	28	160	28	160	616	800	10472	10400
C15058_STRADELLA-9-AT	616	800	28	160	28	160	616	800	10472	10400



Tray size: 465x268x30 mm
Quantity on tray: 160 pieces
Quantity in box: 800 pieces
Box size: 480x280x300 mm
Full tray is covered with plastic shrink film.

Contact information: Tero Mäkinen
LEDIL Oy
Salorankatu 10
24240 SALO, FINLAND
tero.makinen@ledil.com