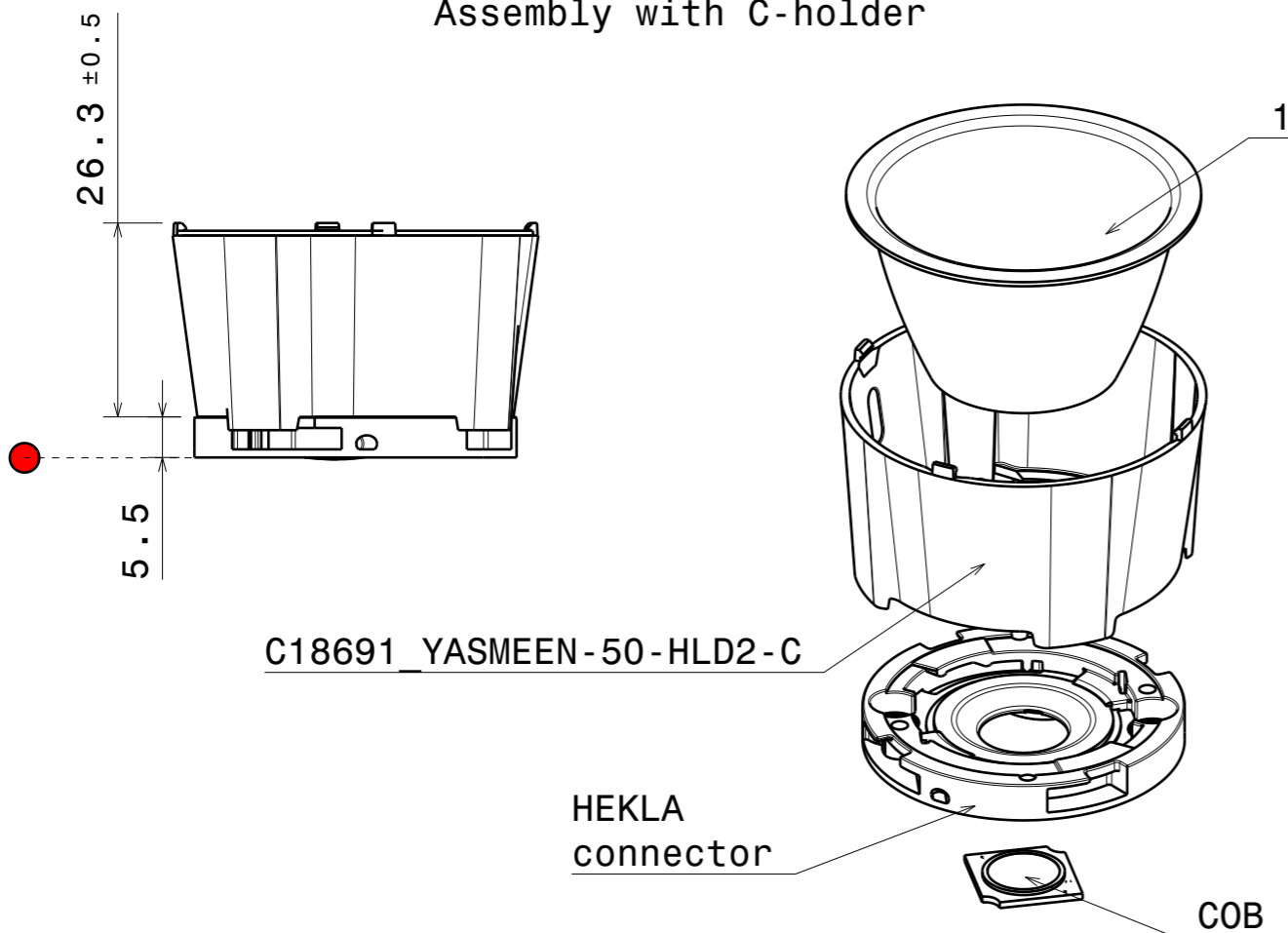
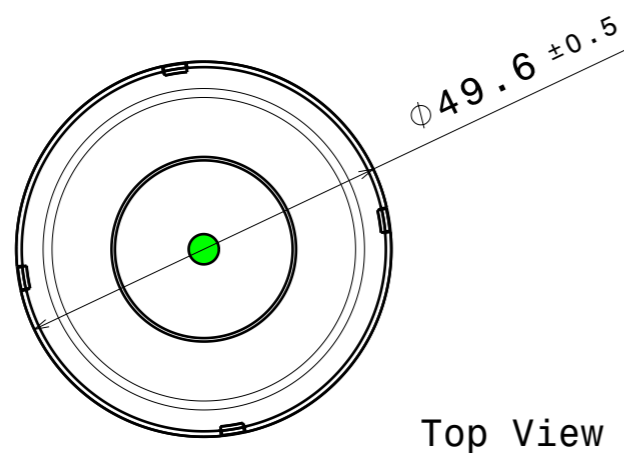
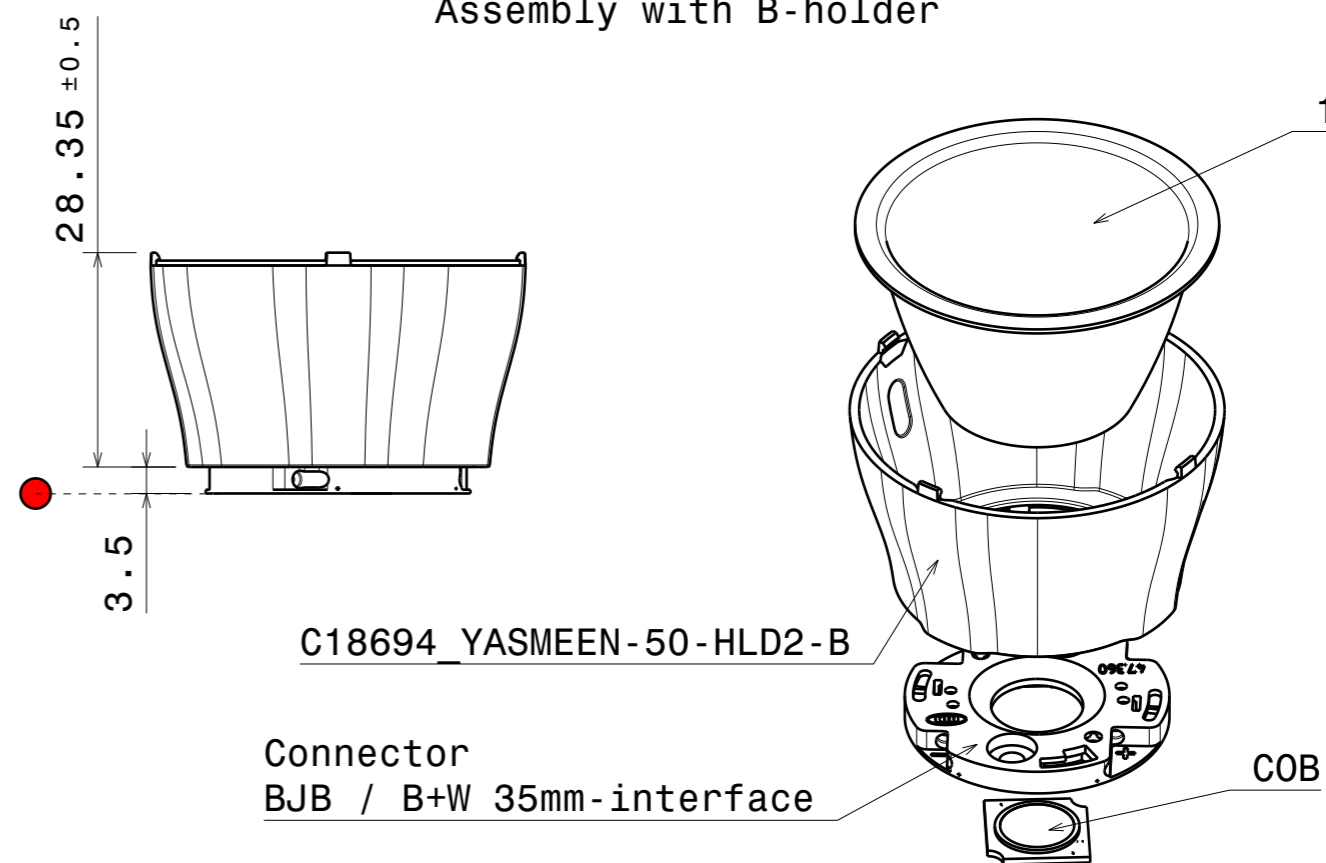


Assembly with C-holder



Assembly with B-holder



Top View

CN18898\_ADELY-50-WW

COMPONENTS

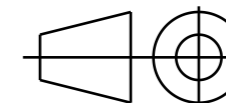
INDEX	PART	TYPE	COUNT	MATERIAL	COLOR / COATING
1	C18894_ADELY-50-WW	REFLECTOR	1	Aluminium	Anodized/Polished
2	C18691_YASMEEN-50-HLD2-C C18694_YASMEEN-50-HLD2-B	HOLDER	1	PC	Black

MECHANICAL DRAWING

PRODUCT  
**ADELY**

Plastic moulding general tolerances according to DIN 16901-130 and applies if not otherwise shown in the drawing. Silicone moulding general tolerances according to ISO 3302-1 Class M3 and applies if not otherwise shown in the drawing.

FIRST ANGLE PROJECTION:



**LEDiL**

This drawing is the property of LEDiL Oy. It may not be copied or otherwise distributed without prior written permission from LEDiL Oy.

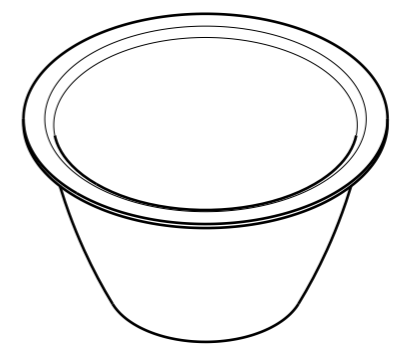
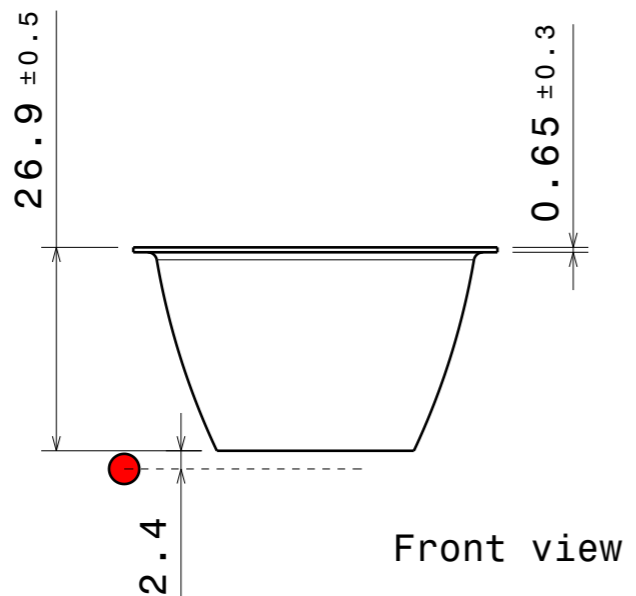
SCALE 1:1

WEIGHT -

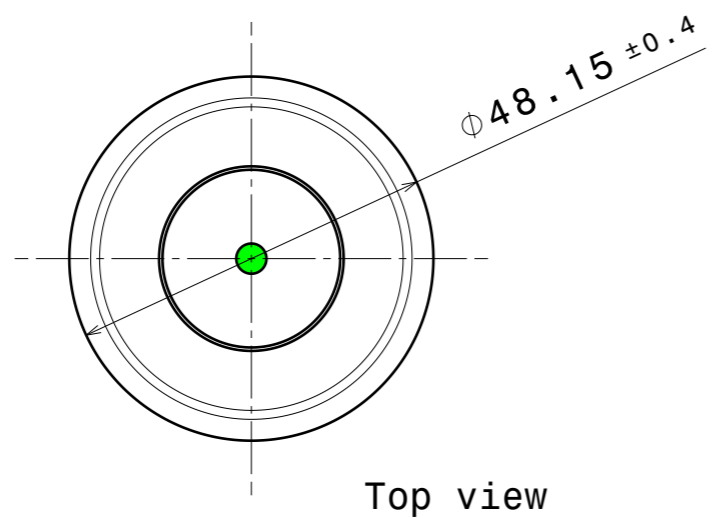
A3 SHEET 1/2

Notes

●	PCB or heatsink level.
●	LED location
	Ensure LED fitting from a product specific 3D model available from <a href="http://www.ledil.com">www.ledil.com</a>
	For more details about installation please see LEDiL Installation Guide on <a href="http://www.ledil.com">www.ledil.com</a>



Isometric view



PART	TYPE	MATERIAL	COLOR / COATING
C18894_ADELY-50-WW	REFLECTOR	Aluminium	Anodized/Polished

<b>MECHANICAL DRAWING</b>		<b>LEDiL</b>
PRODUCT <b>ADELY</b>		
Plastic moulding general tolerances according to DIN 16901-130 and applies if not otherwise shown in the drawing. Silicone moulding general tolerances according to ISO 3302-1 Class M3 and applies if not otherwise shown in the drawing.	FIRST ANGLE PROJECTION: 	This drawing is the property of LEDiL Oy. It may not be copied or otherwise distributed without prior written permission from LEDiL Oy.
SCALE 1:1	WEIGHT -	A3 SHEET 2/2

**Notes**

	PCB or heatsink level.
	LED location
	Ensure LED fitting from a product specific 3D model available from <a href="http://www.ledil.com">www.ledil.com</a>
	For more details about installation please see LEDiL Installation Guide on <a href="http://www.ledil.com">www.ledil.com</a>