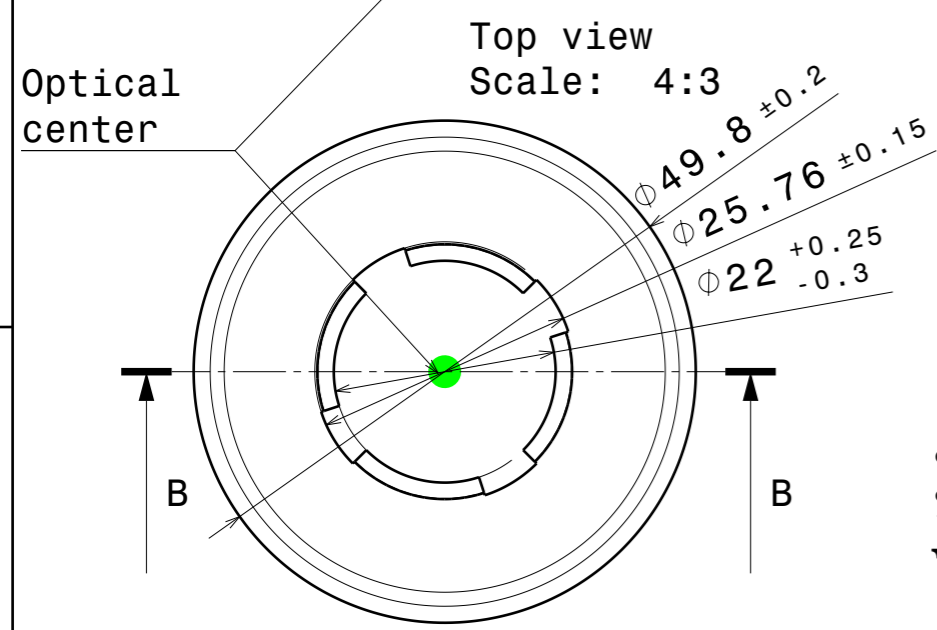
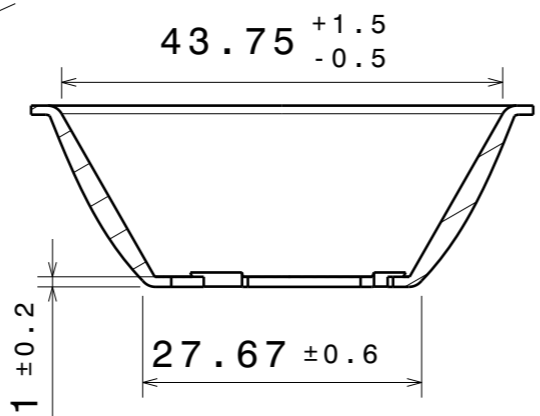


Isometric view
Scale: 4:3



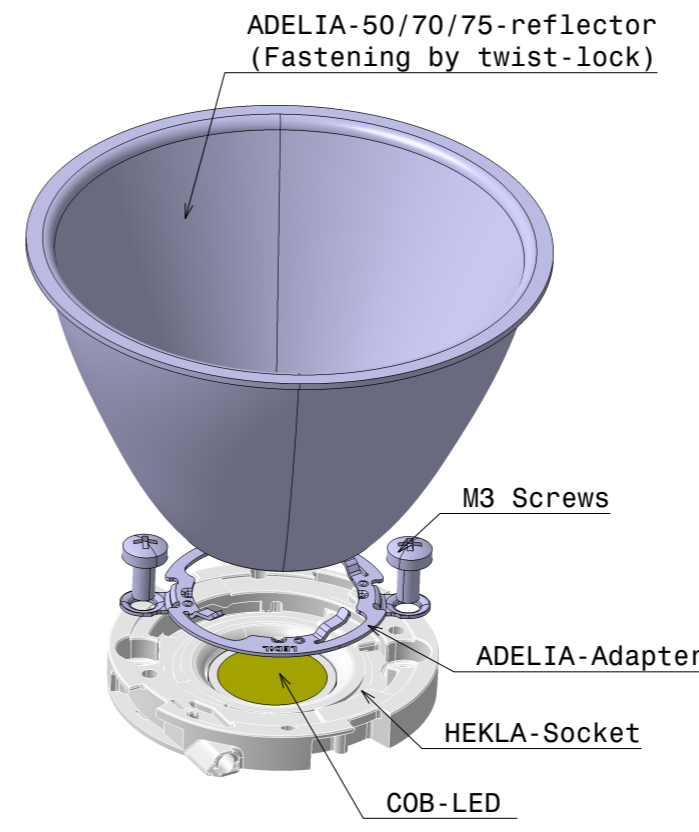
Top view
Scale: 4:3

Top view
Scale: 4:3

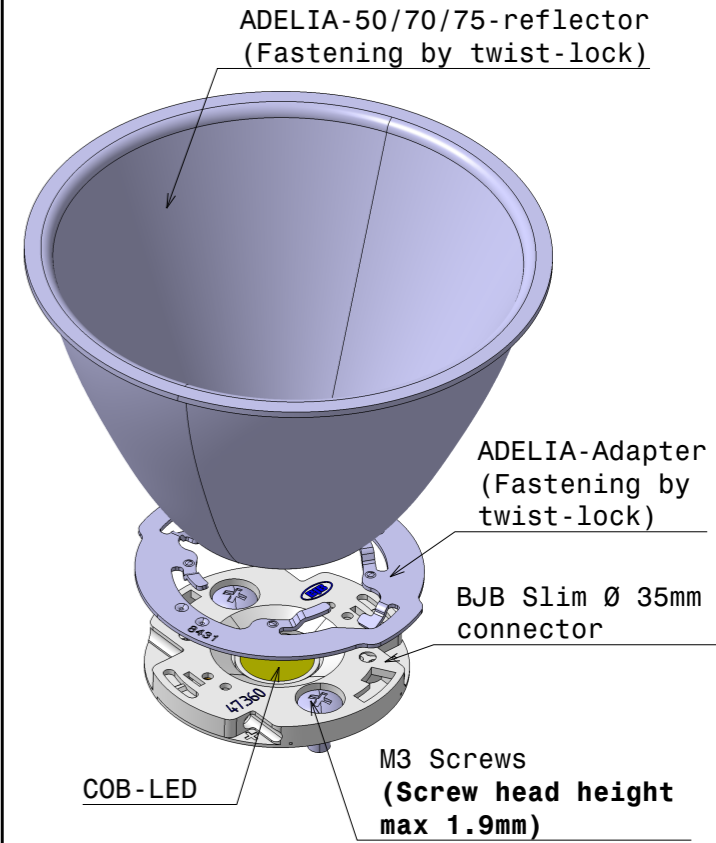


Section view B-B
Scale: 4:3

Example assembly with Hekla socket:



Example assembly with slim Ø 35mm BJB socket:



PART	TYPE	MATERIAL	COLOR / COATING
C18294/C18316/C18317_ADELIA-50-S/M/W_mechanical_Model	Reflector	Aluminium	Polished

MECHANICAL DRAWING	
PRODUCT	ADELIA-50-S/M/W
FIRST ANGLE PROJECTION:	
SCALE	1:1
WEIGHT	-

LEDiL

This drawing is the property of LEDiL Oy. It may not be copied or otherwise distributed without prior written permission from LEDiL Oy.

A3 SHEET 1/1

Notes

	PCB or heatsink level.
	LED location
	Ensure LED fitting from a product specific 3D model available from www.ledil.com
	For more details about installation please see LEDiL Installation Guide on www.ledil.com