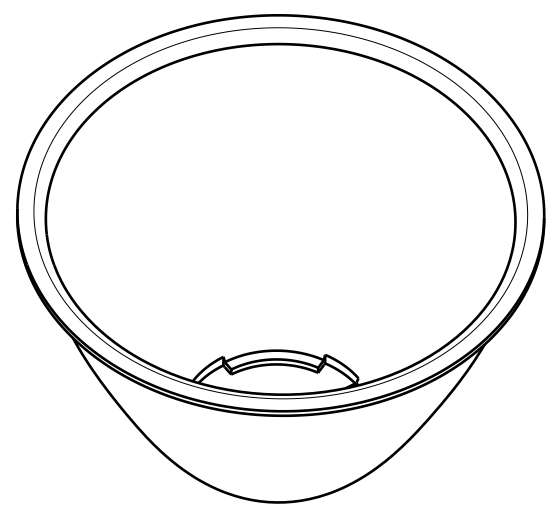
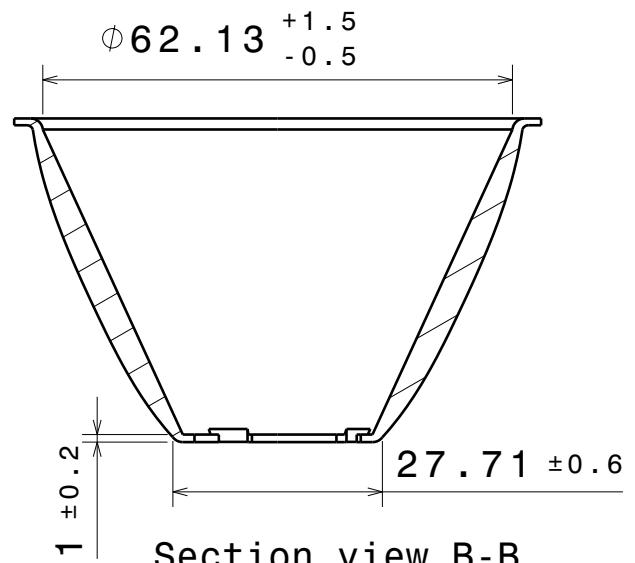


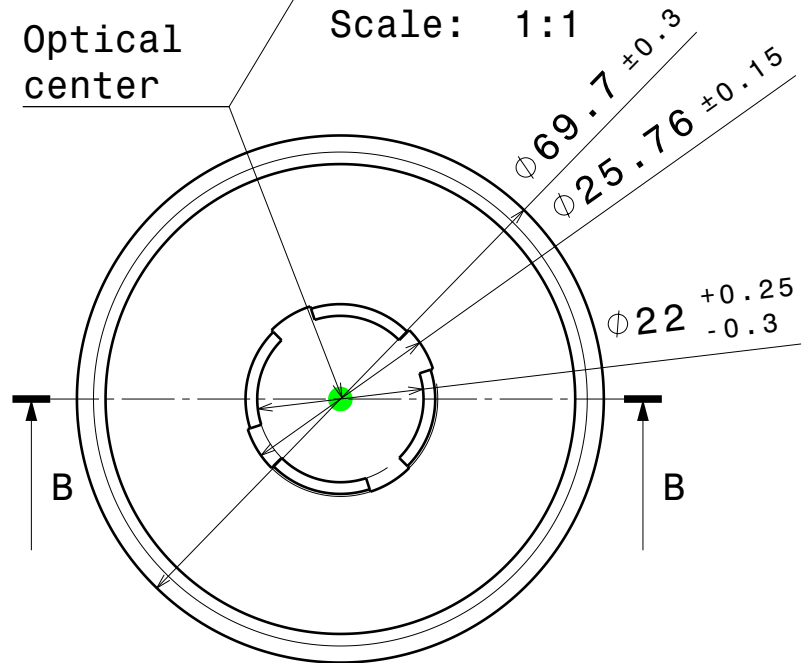
Side view  
Scale: 1:1



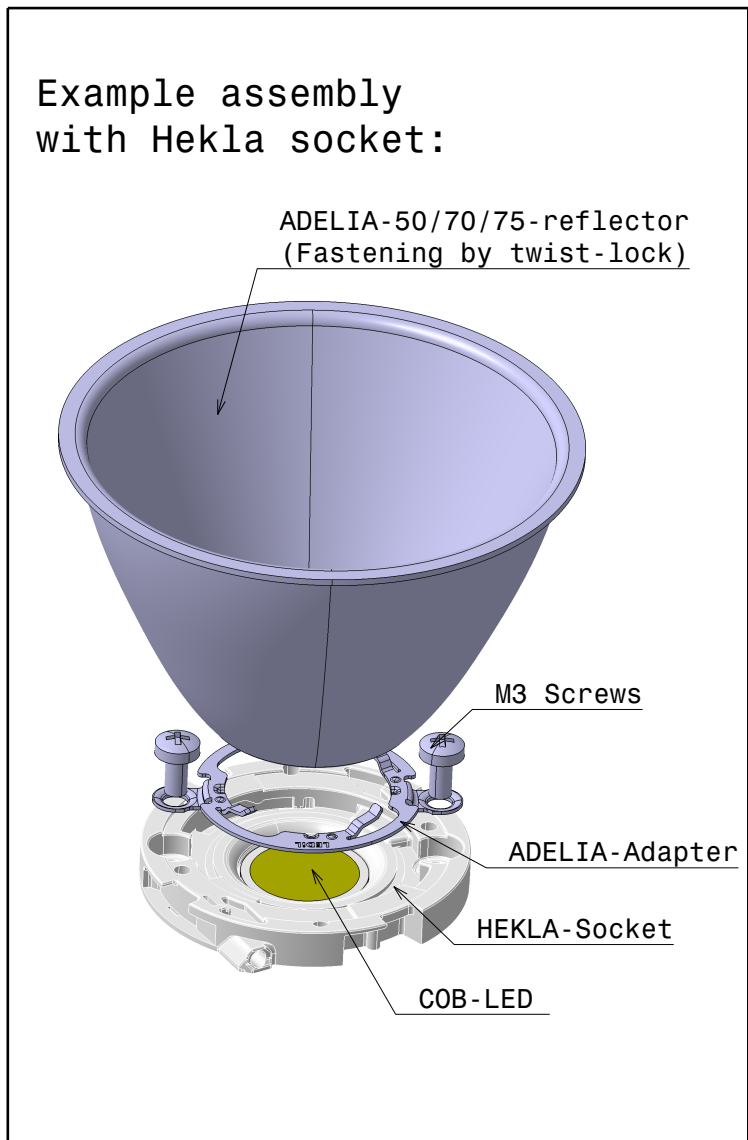
Isometric view  
Scale: 1:1



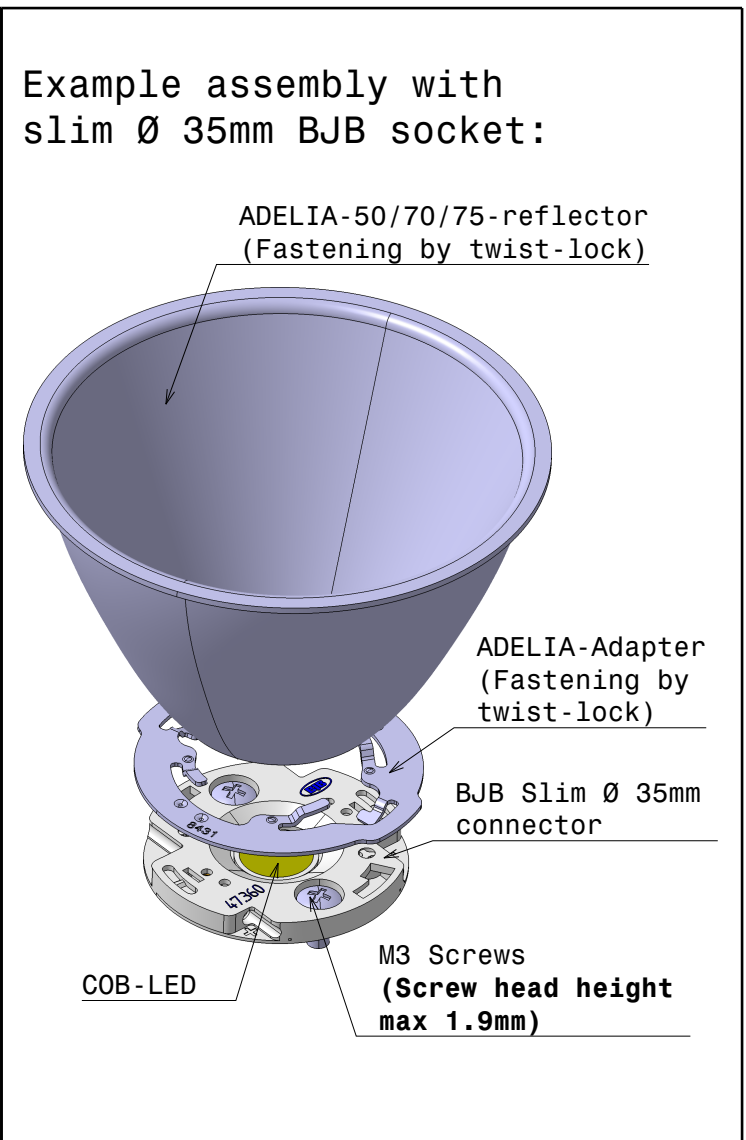
Section view B-B  
Scale: 1:1



Top view  
Scale: 1:1



Example assembly  
with Hekla socket:



Example assembly with  
slim Ø 35mm BJB socket:

PART	TYPE	MATERIAL	COLOR / COATING
C18423/C18424/C18425_ADELIA-70-S/M/W-C_mechanical_Model	Reflector	Aluminium	Polished

<b>MECHANICAL DRAWING</b>	
PRODUCT	<b>ADELIA-70-S/M/W</b>
FIRST ANGLE PROJECTION:	
SCALE	1:1
WEIGHT	-

**LEDiL**

This drawing is the property of LEDiL Oy. It may not be copied or otherwise distributed without prior written permission from LEDiL Oy.

A3 SHEET 1/1

**Notes**

- PCB or heatsink level.
- LED location
- Ensure LED fitting from a product specific 3D model available from [www.ledil.com](http://www.ledil.com)
- For more details about installation please see LEDiL Installation Guide on [www.ledil.com](http://www.ledil.com)