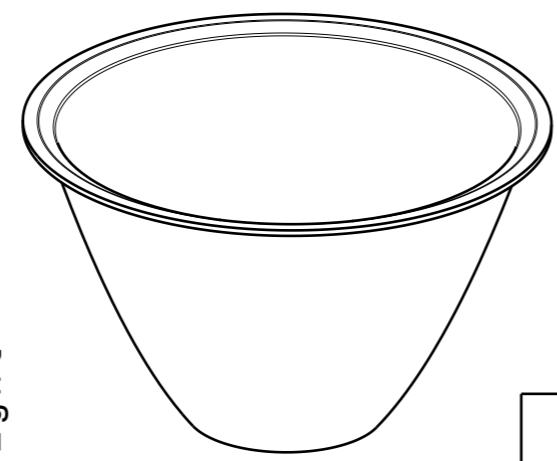
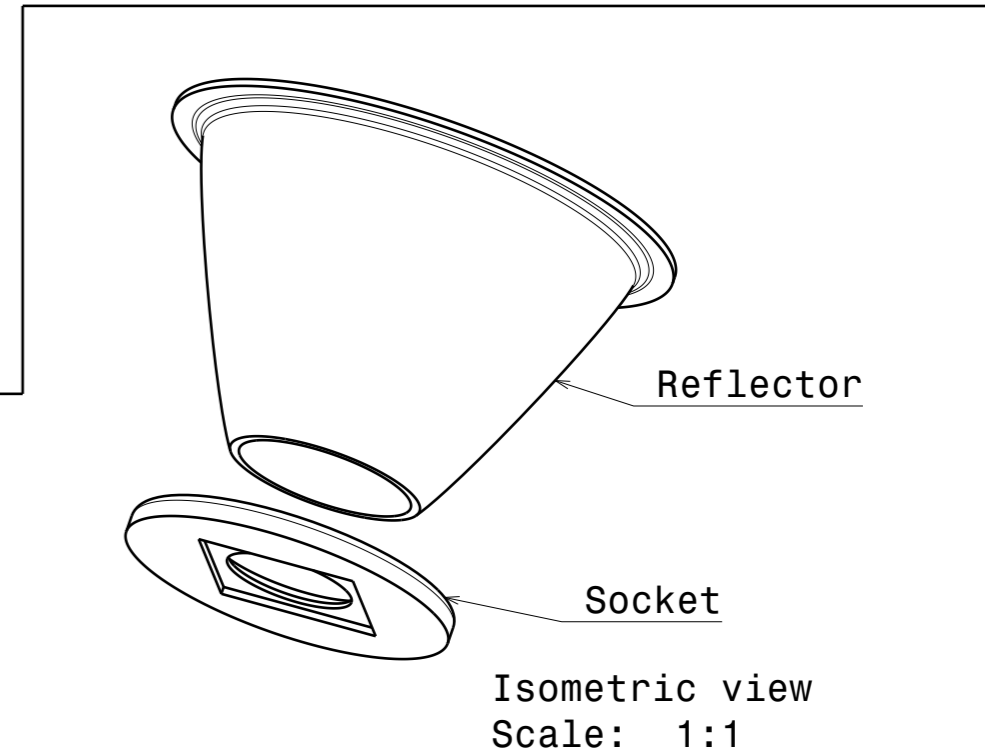
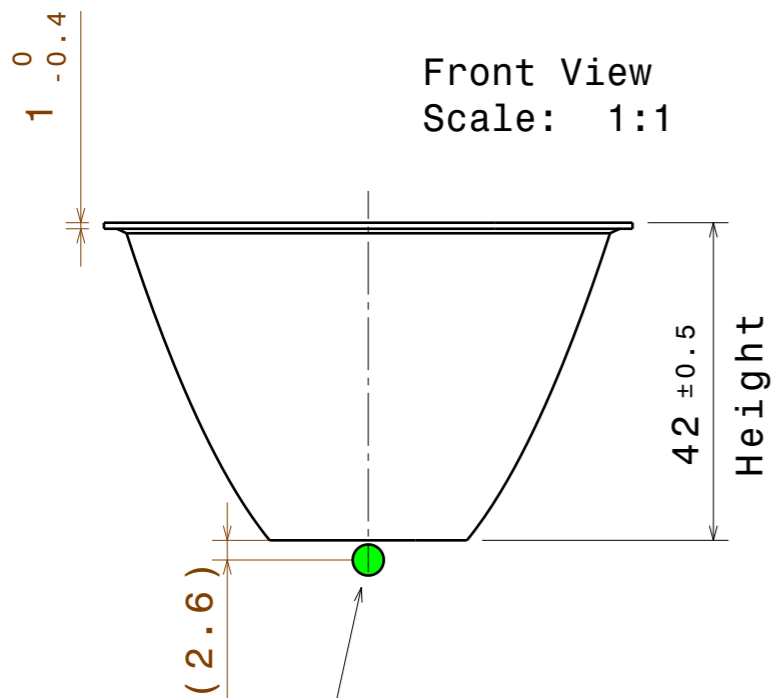


Isometric view
Scale: 1:1

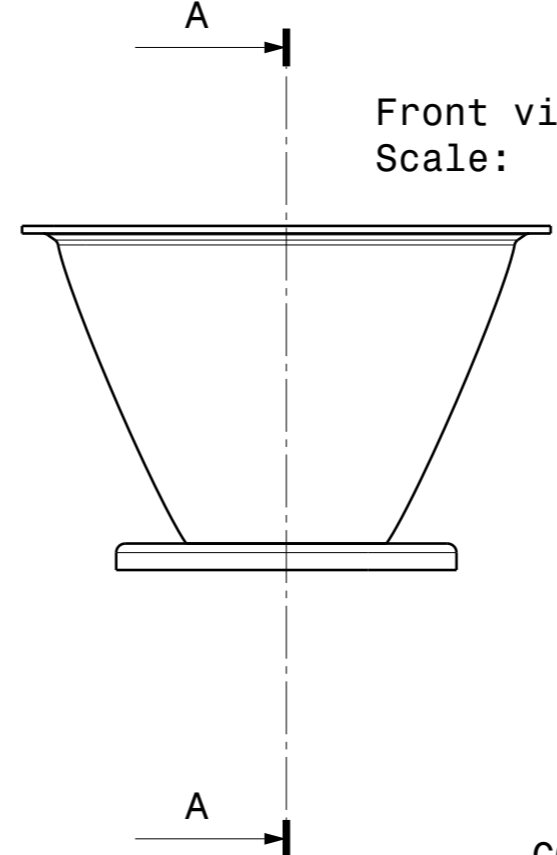


Front View
Scale: 1:1

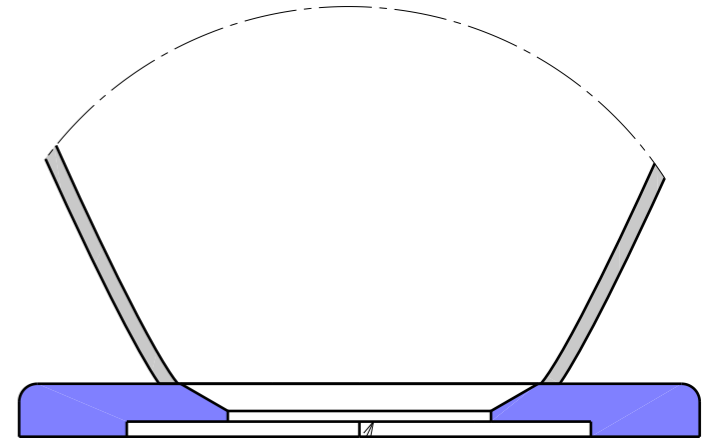


Isometric view
Scale: 1:1

Front view
Scale: 1:1

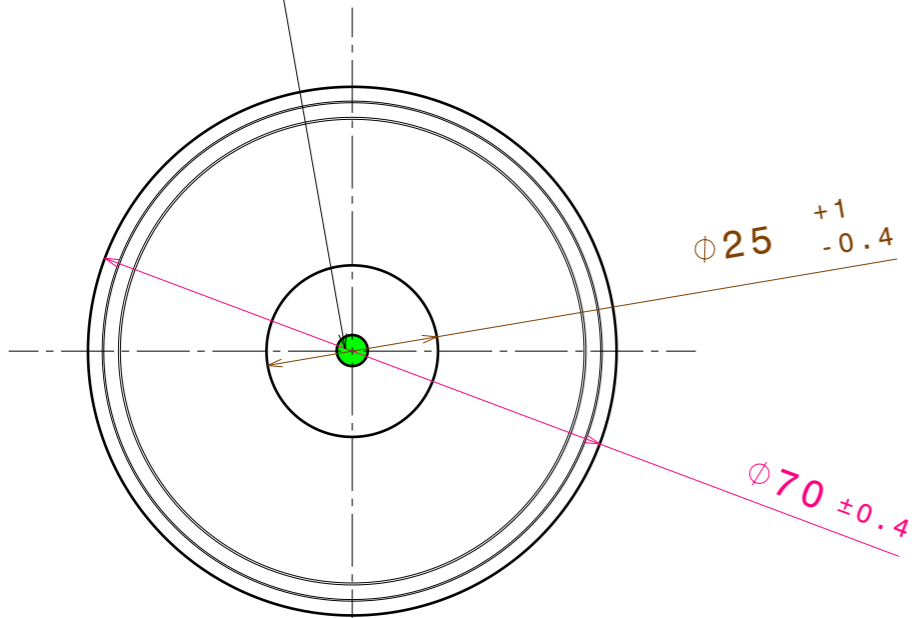


COB LED
LES14.5mm Range (10-14.5mm)



Detail
Scale: 2:1

Optical center



Top view
Scale: 1:1

PART	TYPE	MATERIAL
C16903/C16904/C16905/C16906_ALISE-70	Reflector	Aluminium

MECHANICAL DRAWING		LEDiL [®]
PRODUCT	ALISE	
Plastic moulding general tolerances according to DIN 16901-130 and applies if not otherwise shown in the drawing. Silicone moulding general tolerances according to ISO 3302-1 Class M3 and applies if not otherwise shown in the drawing.	FIRST ANGLE PROJECTION: 	This drawing is the property of LEDiL Oy. It may not be copied or otherwise distributed without prior written permission from LEDiL Oy.
SCALE	1:1	WEIGHT
		A3 SHEET 1/1

Notes

	PCB or heatsink level.
	LED location
	Ensure LED fitting from a product specific 3D model available from www.ledil.com
	For more details about installation please see LEDiL Installation Guide on www.ledil.com