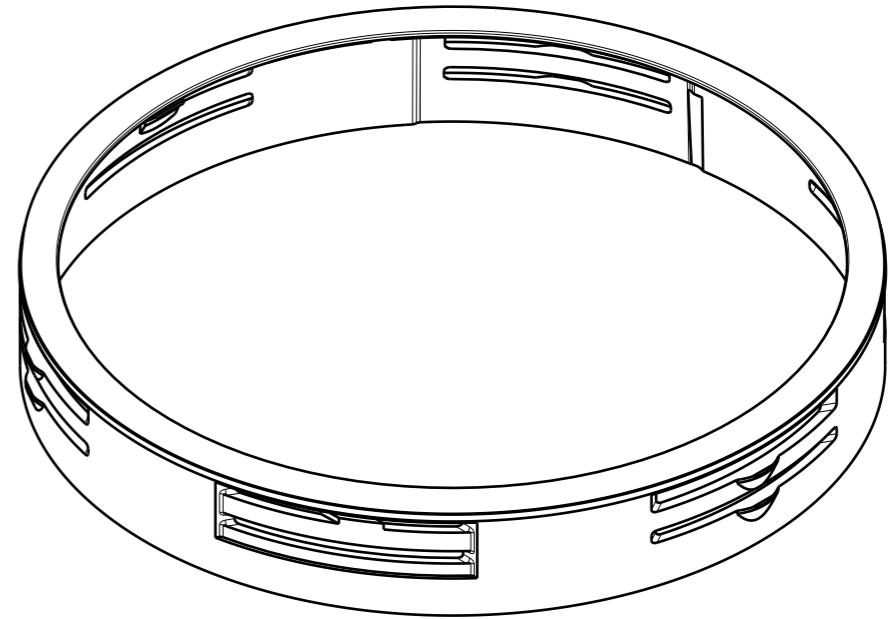
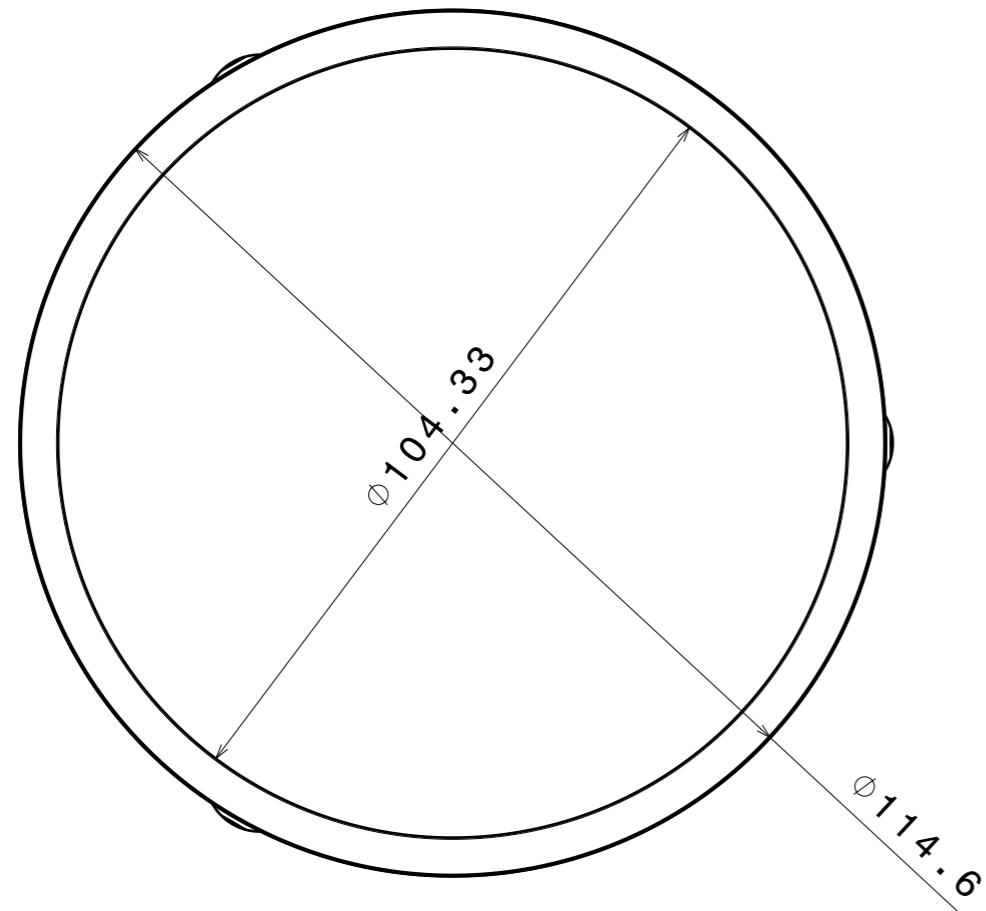


Front view
Scale: 1:1



Isometric view
Scale: 1:1



Top view
Scale: 1:1

| PART | TYPE | MATERIAL | COLOR / COATING |
|-----------------------|------|----------|-----------------|
| C17092_ALISE-110-RING | | PC | Black |

| | | |
|---|-----------------------------|---|
| MECHANICAL DRAWING | | LEDiL [®] |
| PRODUCT ALISE ACCESSORIES | | |
| Plastic moulding general tolerances according to DIN 16901-130 and applies if not otherwise shown in the drawing. Silicone moulding general tolerances according to ISO 3302-1 Class M3 and applies if not otherwise shown in the drawing. | FIRST ANGLE PROJECTION: | This drawing is the property of LEDiL Oy. It may not be copied or otherwise distributed without prior written permission from LEDiL Oy. |
| SCALE 1:1 | WEIGHT 14 g | A3 SHEET 1/1 |

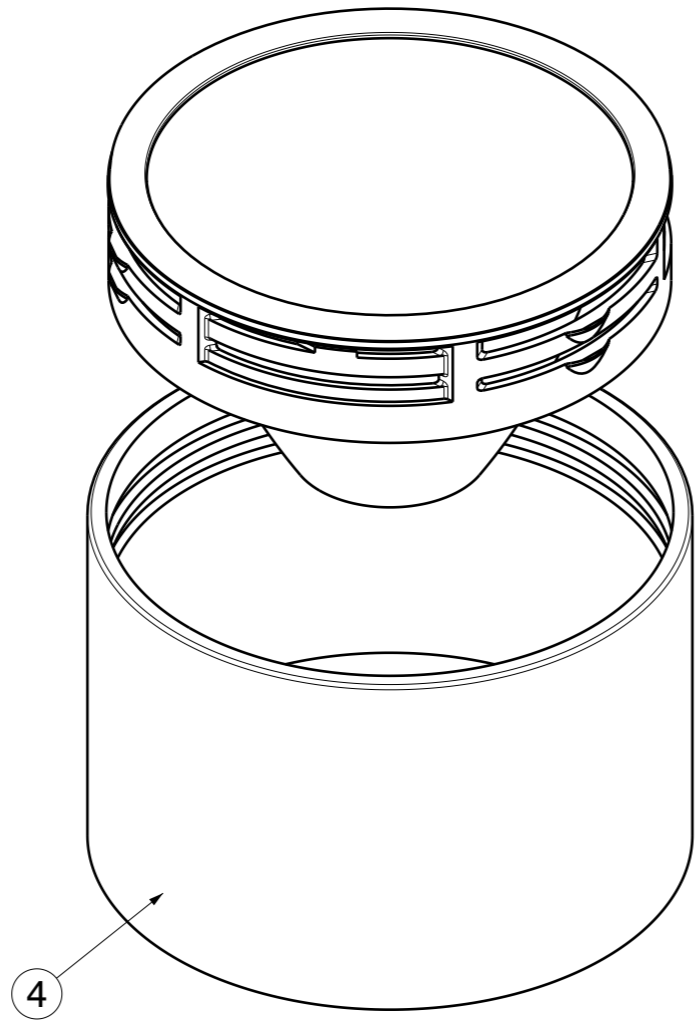
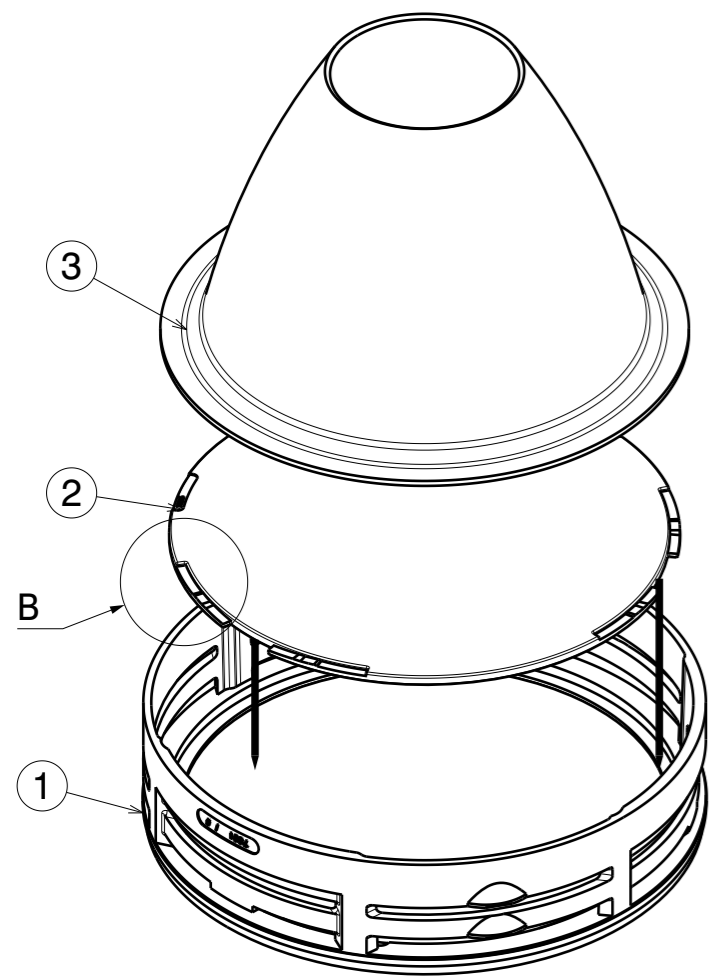
Notes

| | |
|--|---|
| | PCB or heatsink level. |
| | LED location |
| | Ensure LED fitting from a product specific 3D model available from www.ledil.com |
| | For more details about installation please see LEDiL Installation Guide on www.ledil.com |

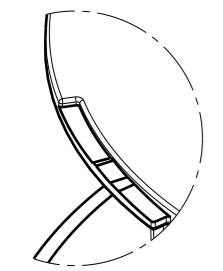
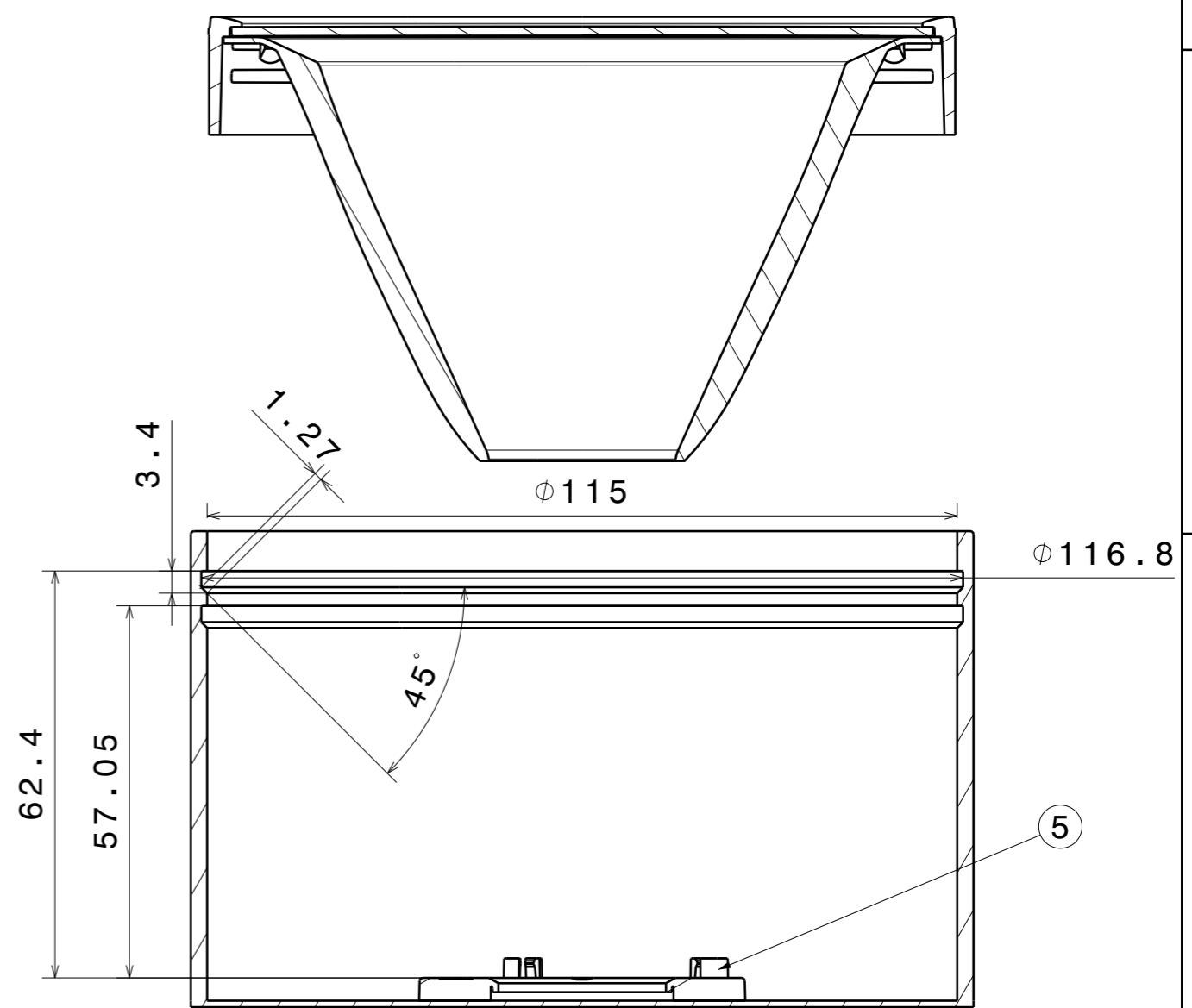
1. Place ALISE-110-RING(#1) on the flat surface.
2. Drop sublense (#2) inside ring (#1). 3 slots guides rotation. NOTE. Recesses in sublense upwards as shown in Detail B To fasten sublens can be rotated clock or counter clock wise.
3. Press ALISE Reflector(#3) inside ring (#1). 3 snap features on ring will lock the reflector in place.
4. Press assembled reflector + accessory to luminaire housing. Reference dimensioning for locking features shown in section view A

Steps 1-3

Step 4



Section View A



Detail B
Scale: 2:1

| PART | # |
|---|---|
| C17092_ALISE-110-RING | 1 |
| C17097_ALISE-110-DL/C17096_ALISE-110-CL | 2 |
| C16899_C16900_C16901_C16902_ALISE-110 | 3 |
| Luminaire housing reference | 4 |
| LED connector | 5 |

Notes

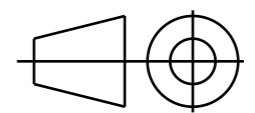
- PCB or heatsink level.
- LED location
- Ensure LED fitting from a product specific 3D model available from www.ledil.com
- For more details about installation please see LEDiL Installation Guide on www.ledil.com

MECHANICAL DRAWING
PRODUCT **ALISE ACCESSORIES**



Plastic moulding general tolerances according to DIN 16901-130 and applies if not otherwise shown in the drawing.
Silicone moulding general tolerances according to ISO 3302-1 Class M3 and applies if not otherwise shown in the drawing.

FIRST ANGLE PROJECTION:



This drawing is the property of LEDiL Oy. It may not be copied or otherwise distributed without prior written permission from LEDiL Oy.

SCALE - WEIGHT - A3 SHEET 1/1