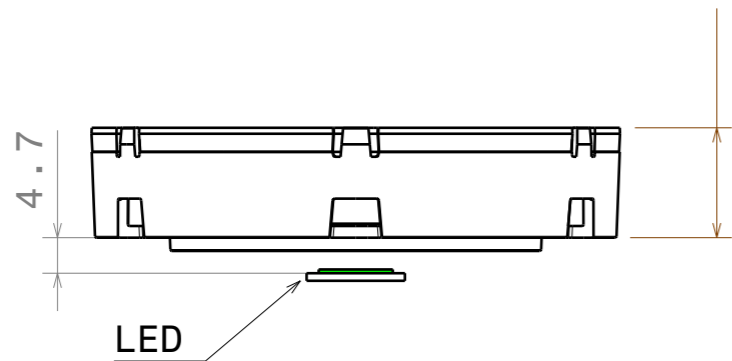
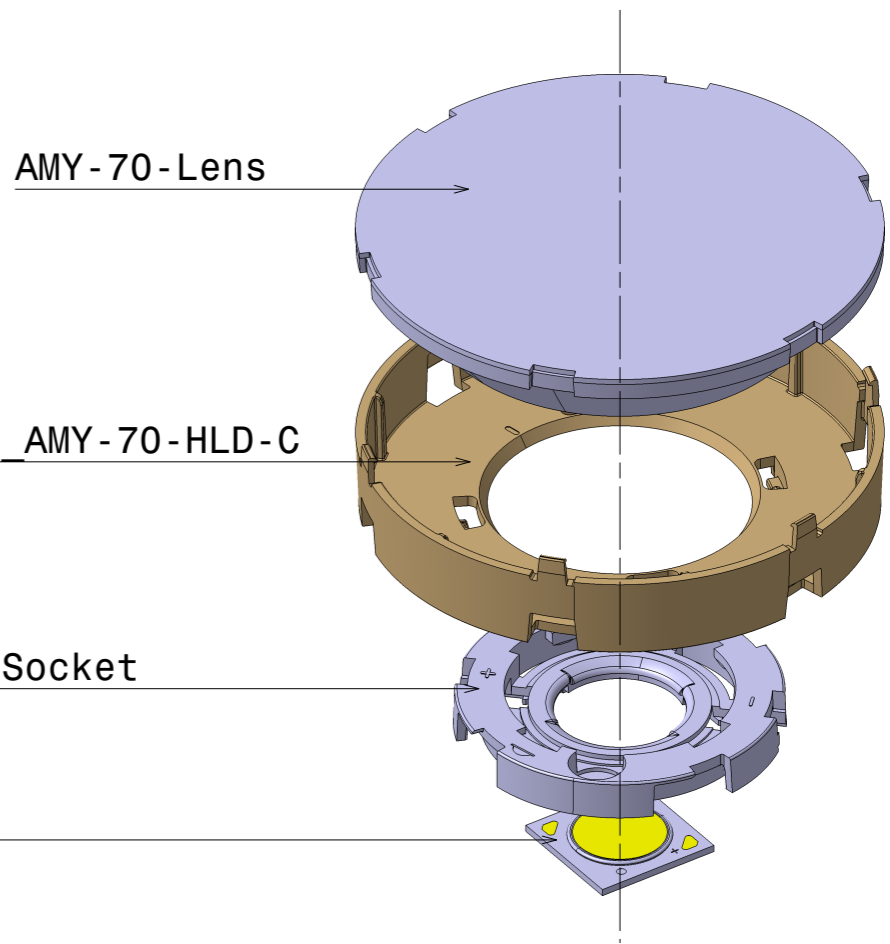
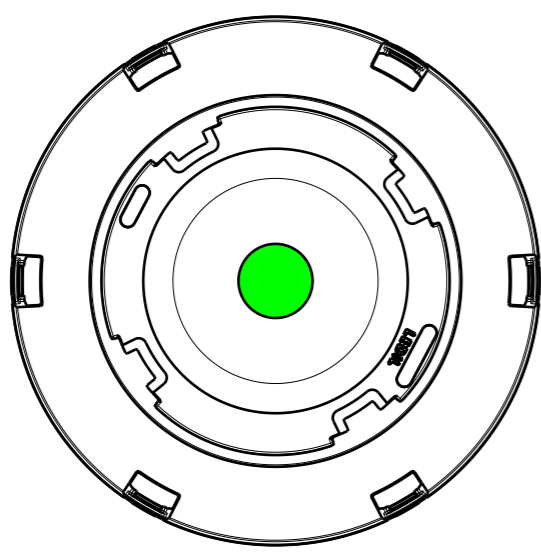


Example assembly:



- CP17782_ AMY-70-S-C 14.58mm
- CP17783_ AMY-70-M-C 14.79mm
- CP17784_ AMY-70-W-C 15.09mm
- CP17785_ AMY-70-WW-C 14.65mm



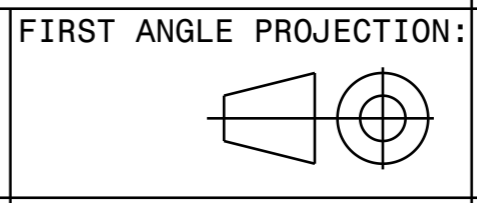
CP17782, CP17783, CP17784, CP17785_ AMY-70-C
COMPONENTS

PART	TYPE	MATERIAL	COLOR
C17776/C17777/C17778/C17779_ AMY-70	LENS	PMMA	CLEAR
C17780_ AMY-70-HLD-C	HOLDER	PC	BLACK

MECHANICAL DRAWING	
PRODUCT	AMY



Plastic moulding general tolerances according to DIN 16901-130 and applies if not otherwise shown in the drawing. Silicone moulding general tolerances according to ISO 3302-1 Class M3 and applies if not otherwise shown in the drawing.



This drawing is the property of LEDiL Oy. It may not be copied or otherwise distributed without prior written permission from LEDiL Oy.

SCALE	1:1	WEIGHT	-	A3	SHEET 1/1
-------	-----	--------	---	----	-----------

Notes

	PCB or heatsink level.
	LED location
	Ensure LED fitting from a product specific 3D model available from www.ledil.com
	For more details about installation please see LEDiL Installation Guide on www.ledil.com