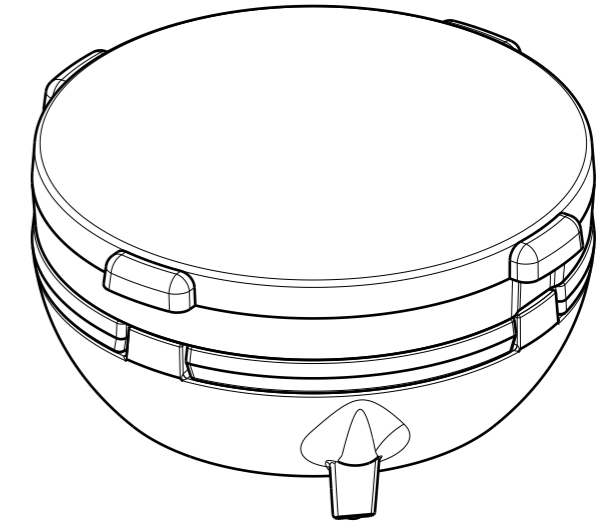
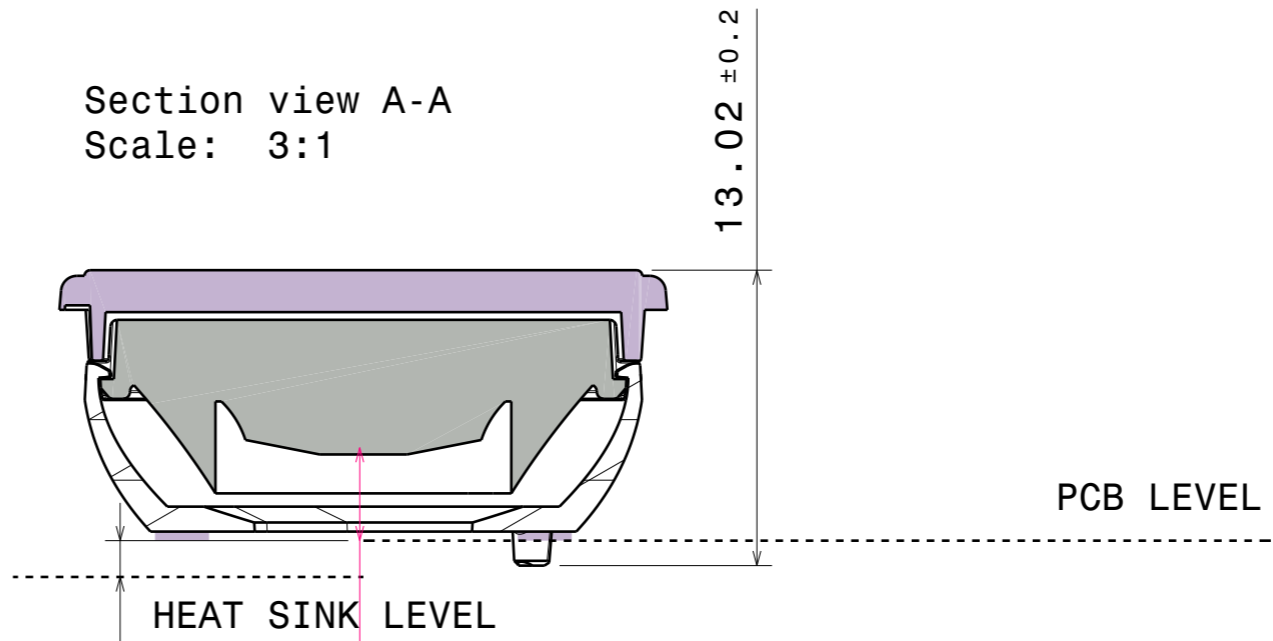


Top view  
Scale: 3:1



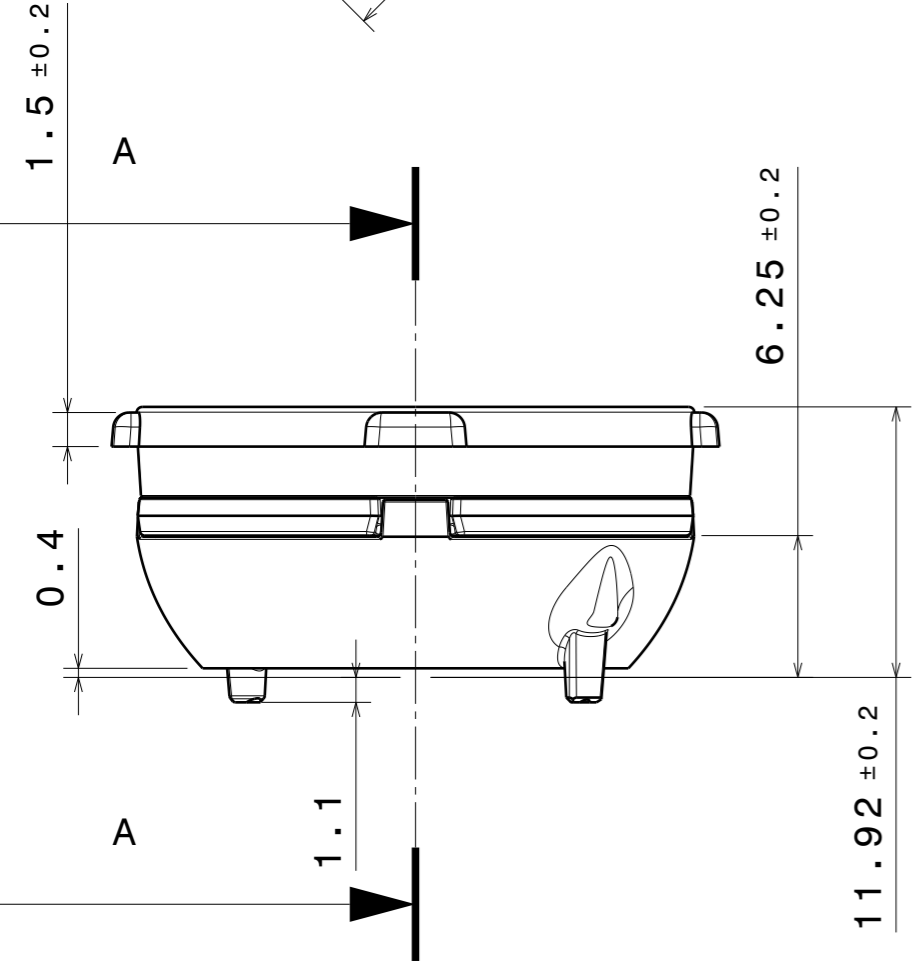
BEAM	ROTATION
S	0
M	11,25
W	22,5

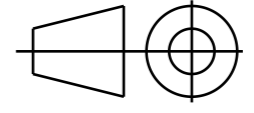
Section view A-A  
Scale: 3:1





PCB LEVEL

HEAT SINK LEVEL



MECHANICAL DRAWING		<b>LEDiL</b>
PRODUCT	AMY - ZOOM	
Plastic moulding general tolerances according to DIN 16901-130 and applies if not otherwise shown in the drawing. Silicone moulding general tolerances according to ISO 3302-1 Class M3 and applies if not otherwise shown in the drawing.	FIRST ANGLE PROJECTION: 	This drawing is the property of LEDiL Oy. It may not be copied or otherwise distributed without prior written permission from LEDiL Oy.
SCALE	1:1	WEIGHT 8,444g
		A3 SHEET 1/1

**Notes**

	PCB or heatsink level.
	LED location
	Ensure LED fitting from a product specific 3D model available from <a href="http://www.ledil.com">www.ledil.com</a>
	For more details about installation please see LEDiL Installation Guide on <a href="http://www.ledil.com">www.ledil.com</a>