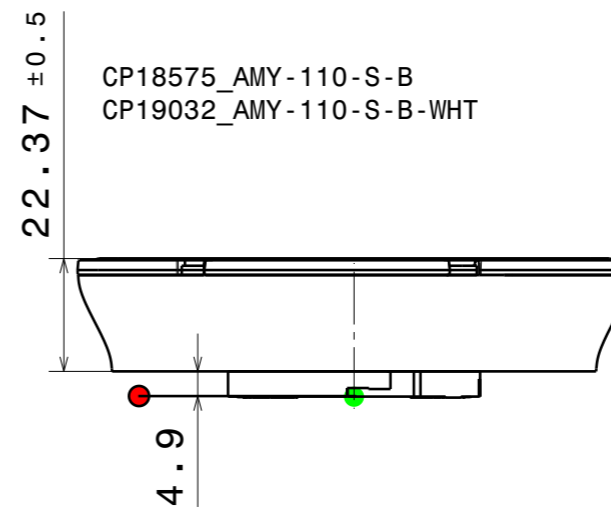
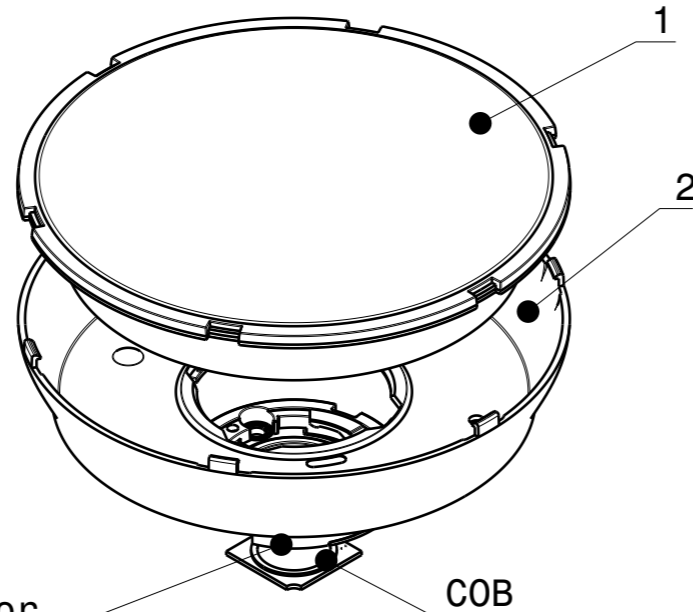
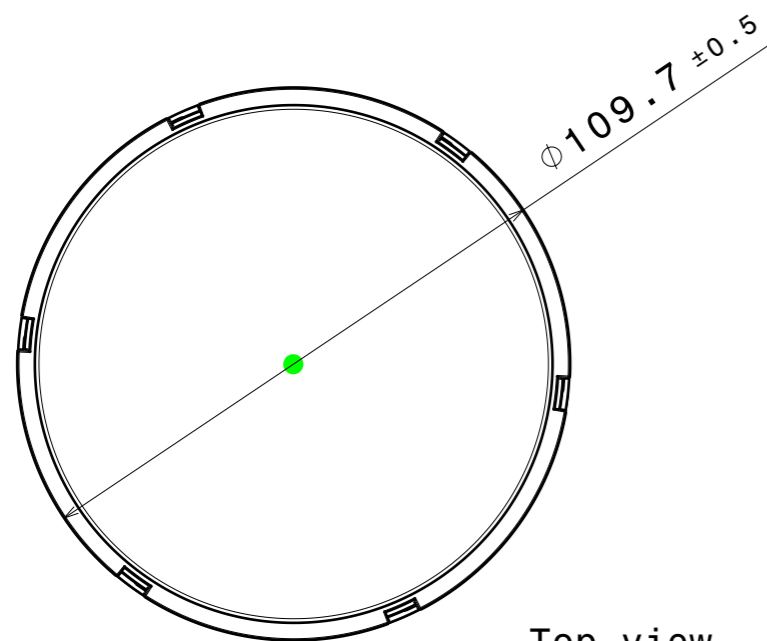
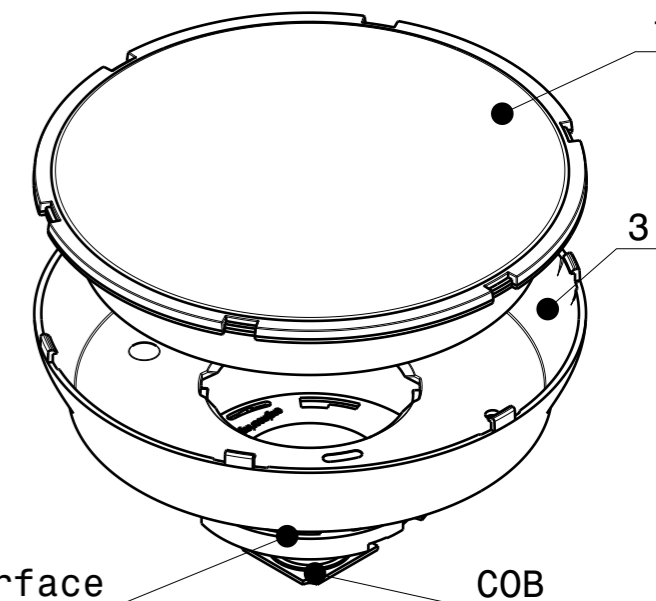


CP18557\_ AMY-110-S-C  
CP19028\_ AMY-110-S-C-WHT



CP18575\_ AMY-110-S-B  
CP19032\_ AMY-110-S-B-WHT



Top view  
Scale: 2:3

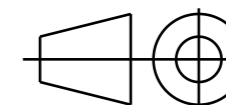
INDEX	PART	TYPE	QTY	MATERIAL	COLOUR/COATING	ASSEMBLY CODES
1	AMY-110-S	LENS	1			
	C18555_ AMY-110-S			PMMA	CLEAR	
2	HOLDER C	HOLDER 1				
	C18556_ AMY-110-HLD-C			PC	BLACK	CP18557_ AMY-110-S-C
	C18939_ AMY-110-HLD-C-WHT			PC	WHITE	CP19028_ AMY-110-S-C-WHT
3	HOLDER B					
	C18571_ AMY-110-HLD-B			PC	BLACK	CP18575_ AMY-110-S-B
	C18940_ AMY-110-HLD-B-WHT			PC	WHITE	CP19032_ AMY-110-S-B-WHT

**MECHANICAL DRAWING**

PRODUCT  
**AMY-110-S**

Plastic moulding general tolerances according to DIN 16901-130 and applies if not otherwise shown in the drawing. Silicone moulding general tolerances according to ISO 3302-1 Class M3 and applies if not otherwise shown in the drawing.

FIRST ANGLE PROJECTION:



**LEDiL**

This drawing is the property of LEDiL Oy. It may not be copied or otherwise distributed without prior written permission from LEDiL Oy.

SCALE 2:3

WEIGHT -

A3 SHEET 1/2

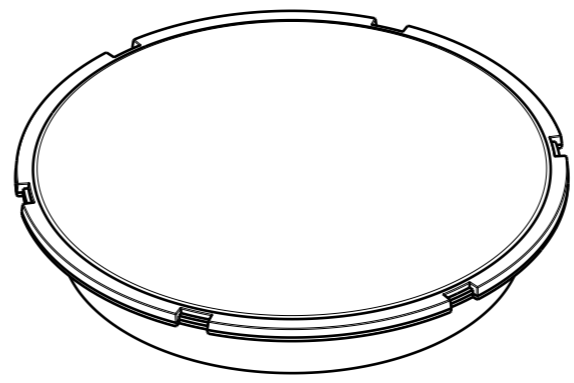
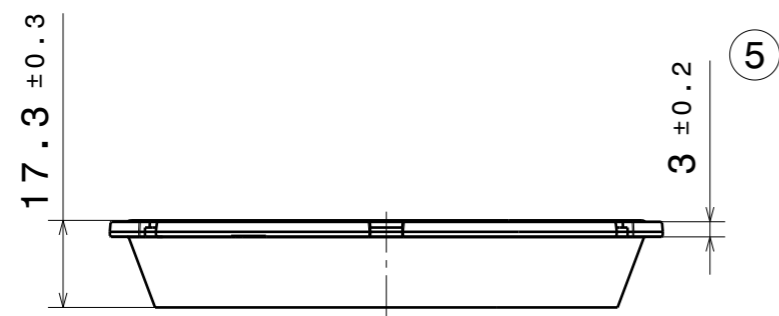
**Notes**

- PCB or heatsink level.
- LED location
- Ensure LED fitting from a product specific 3D model available from [www.ledil.com](http://www.ledil.com)
- For more details about installation please see LEDiL Installation Guide on [www.ledil.com](http://www.ledil.com)

H G F E D C B A

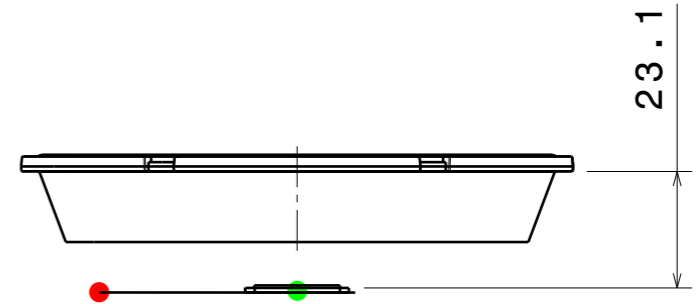
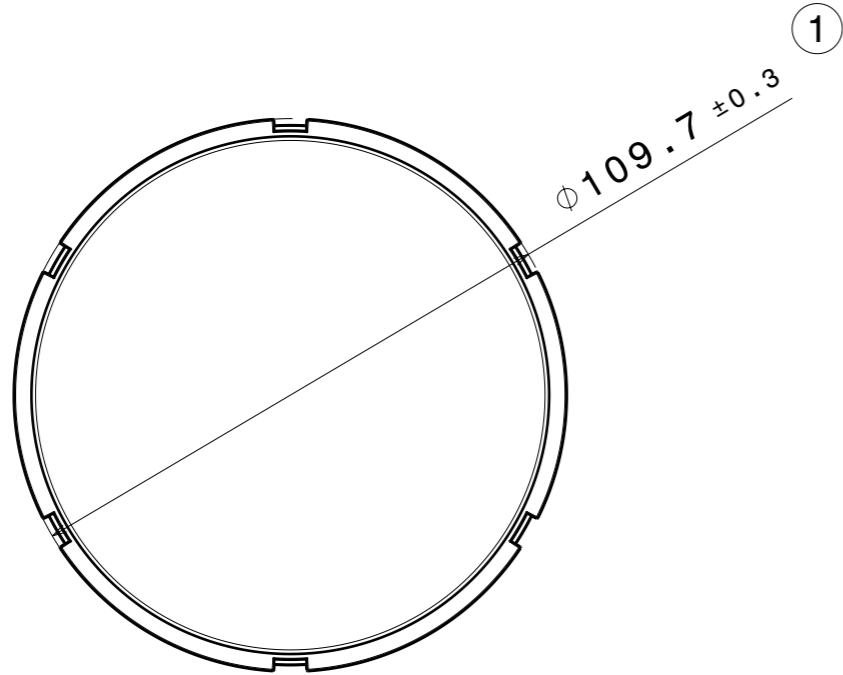
4

4



3

3



2

2

PART	TYPE	MATERIAL	COLOR / COATING
C18555_AMY-110-S	LENS	PMMA	CLEAR

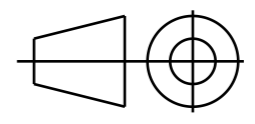
**MECHANICAL DRAWING**

PRODUCT **AMY-110-S**

**LEDiL**

Plastic moulding general tolerances according to DIN 16901-130 and applies if not otherwise shown in the drawing. Silicone moulding general tolerances according to ISO 3302-1 Class M3 and applies if not otherwise shown in the drawing.

FIRST ANGLE PROJECTION:



This drawing is the property of LEDiL Oy. It may not be copied or otherwise distributed without prior written permission from LEDiL Oy.

SCALE 2:3

WEIGHT -

A3 SHEET 2/2

1

1

**Notes**

	PCB or heatsink level.
	LED location
	Ensure LED fitting from a product specific 3D model available from <a href="http://www.ledil.com">www.ledil.com</a>
	For more details about installation please see LEDiL Installation Guide on <a href="http://www.ledil.com">www.ledil.com</a>

H G F E D C B A