

Top view
Scale: 2:3

| INDEX | PART | TYPE | QTY | MATERIAL | COLOUR/COATING | ASSEMBLY CODES |
|-------|---------------------------|--------|-----|----------|----------------|---------------------------|
| 1 | AMY-110-WW | LENS | 1 | | | |
| | C18570_ AMY-110-WW | | | PMMA | CLEAR | |
| 2 | HOLDER C | HOLDER | 1 | | | |
| | C18556_ AMY-110-HLD-C | | | PC | BLACK | CP18574_ AMY-110-WW-C |
| | C18939_ AMY-110-HLD-C-WHT | | | PC | WHITE | CP19031_ AMY-110-WW-C-WHT |
| 3 | HOLDER B | | | | | |
| | C18571_ AMY-110-HLD-B | | | PC | BLACK | CP18578_ AMY-110-WW-B |
| | C18940_ AMY-110-HLD-B-WHT | | | PC | WHITE | CP19035_ AMY-110-WW-B-WHT |

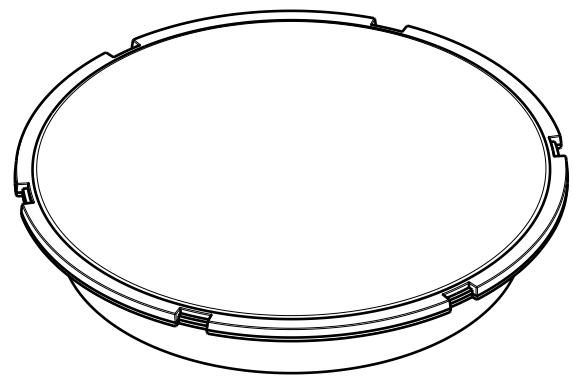
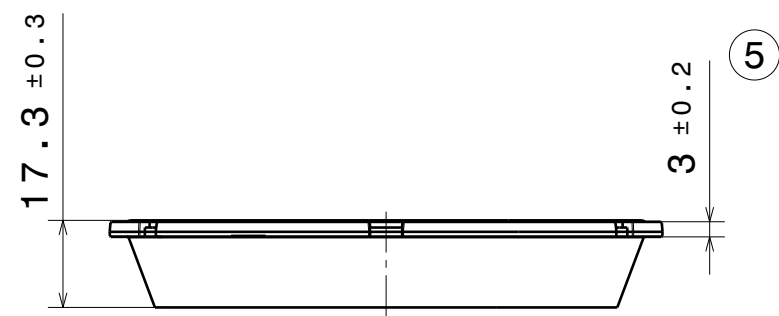
| | | |
|--|-----------------------------|---|
| MECHANICAL DRAWING | | LEDiL |
| PRODUCT AMY-110-WW | | |
| Plastic moulding general tolerances according to DIN 16901-130 and applies if not otherwise shown in the drawing. Silicone moulding general tolerances according to ISO 3302-1 Class M3 and applies if not otherwise shown in the drawing. | FIRST ANGLE PROJECTION: | This drawing is the property of LEDiL Oy. It may not be copied or otherwise distributed without prior written permission from LEDiL Oy. |
| SCALE 2:3 | WEIGHT - | A3 SHEET 1/2 |

Notes

| | |
|--|---|
| | PCB or heatsink level. |
| | LED location |
| | Ensure LED fitting from a product specific 3D model available from www.ledil.com |
| | For more details about installation please see LEDiL Installation Guide on www.ledil.com |

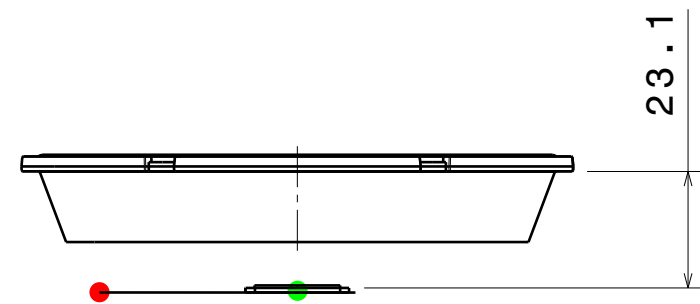
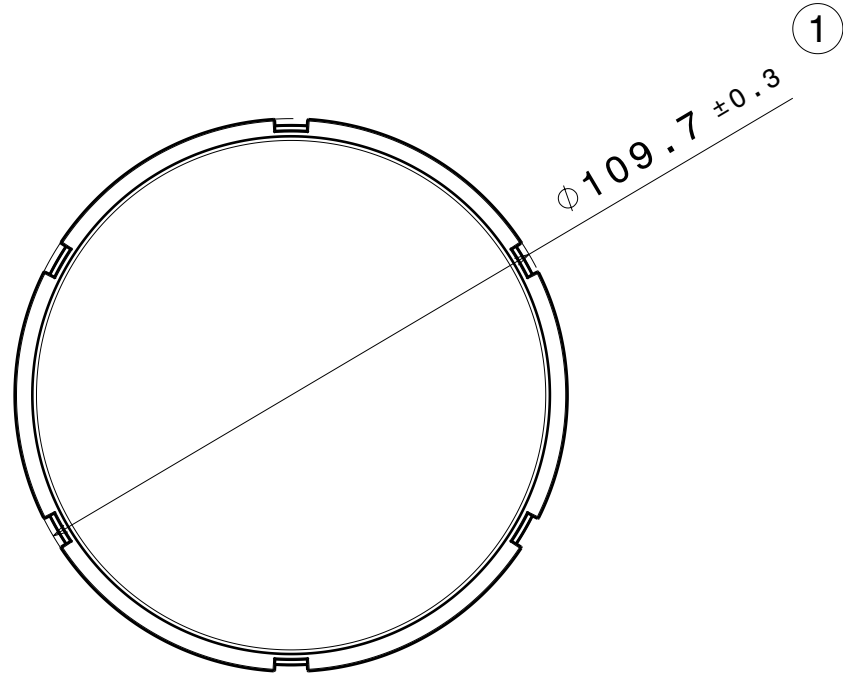
H G F E D C B A

4



4

3



3

2

2

| | | | |
|-------------------|------|----------|-----------------|
| PART | TYPE | MATERIAL | COLOR / COATING |
| C18570_AMY-110-WW | LENS | PMMA | CLEAR |

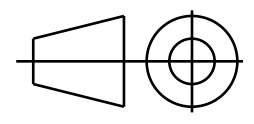
MECHANICAL DRAWING

PRODUCT **AMY-110-WW**

LEDiL

Plastic moulding general tolerances according to DIN 16901-130 and applies if not otherwise shown in the drawing. Silicone moulding general tolerances according to ISO 3302-1 Class M3 and applies if not otherwise shown in the drawing.

FIRST ANGLE PROJECTION:



This drawing is the property of LEDiL Oy. It may not be copied or otherwise distributed without prior written permission from LEDiL Oy.

| | | | | | |
|-------|-----|--------|---|----|-----------|
| SCALE | 2:3 | WEIGHT | - | A3 | SHEET 2/2 |
|-------|-----|--------|---|----|-----------|

Notes

- PCB or heatsink level.
- LED location
- Ensure LED fitting from a product specific 3D model available from www.ledil.com
- For more details about installation please see LEDiL Installation Guide on www.ledil.com

H G F E D C B A

1

1