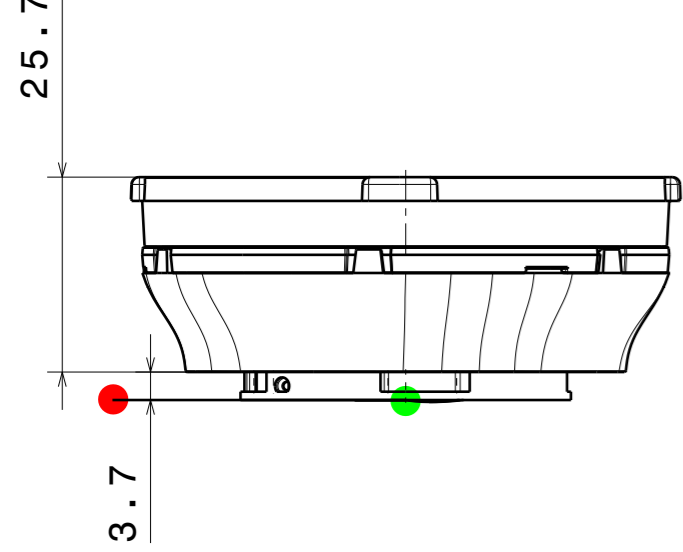
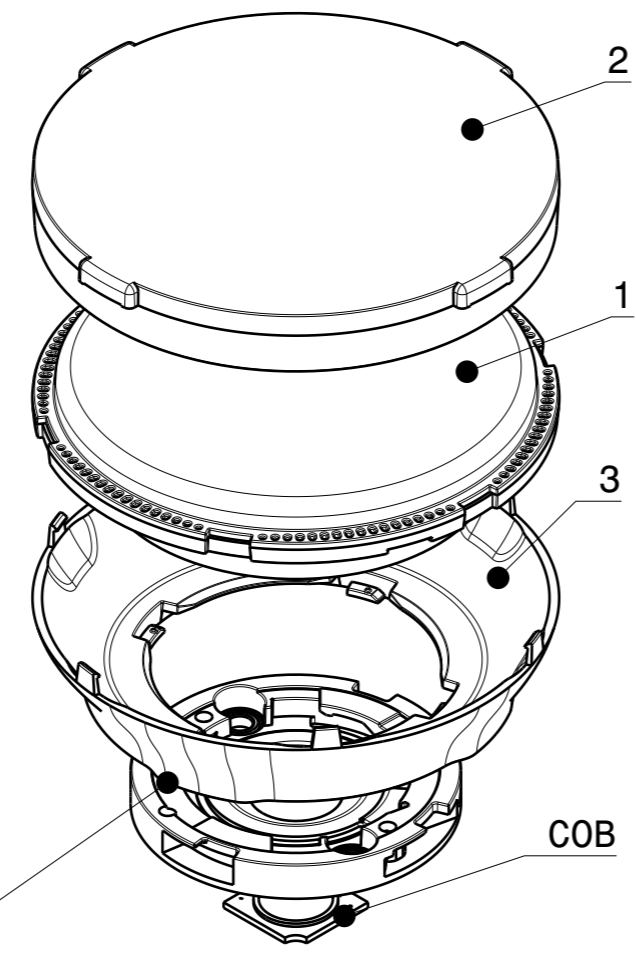


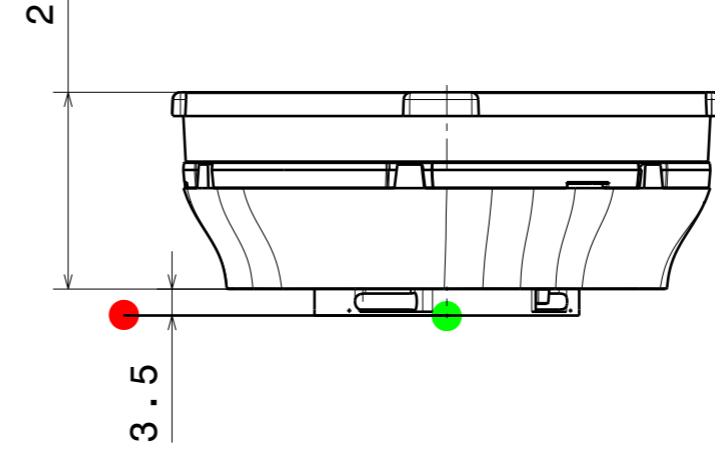
CP19046\_ AMY-70-ZOOM-C2  
CP19113\_ AMY-70-ZOOM-C2-WHT



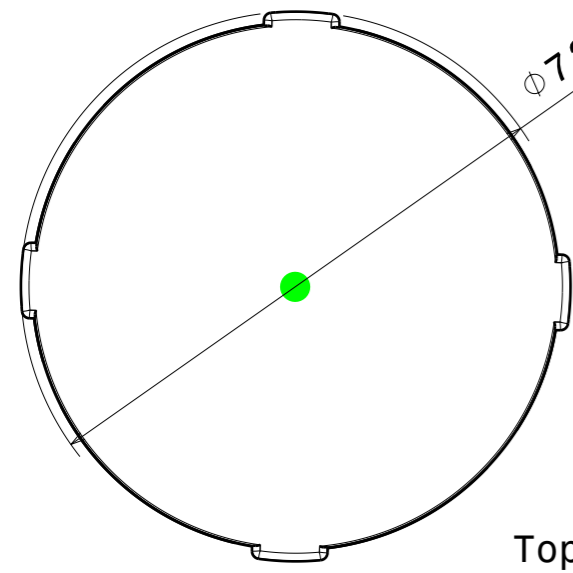
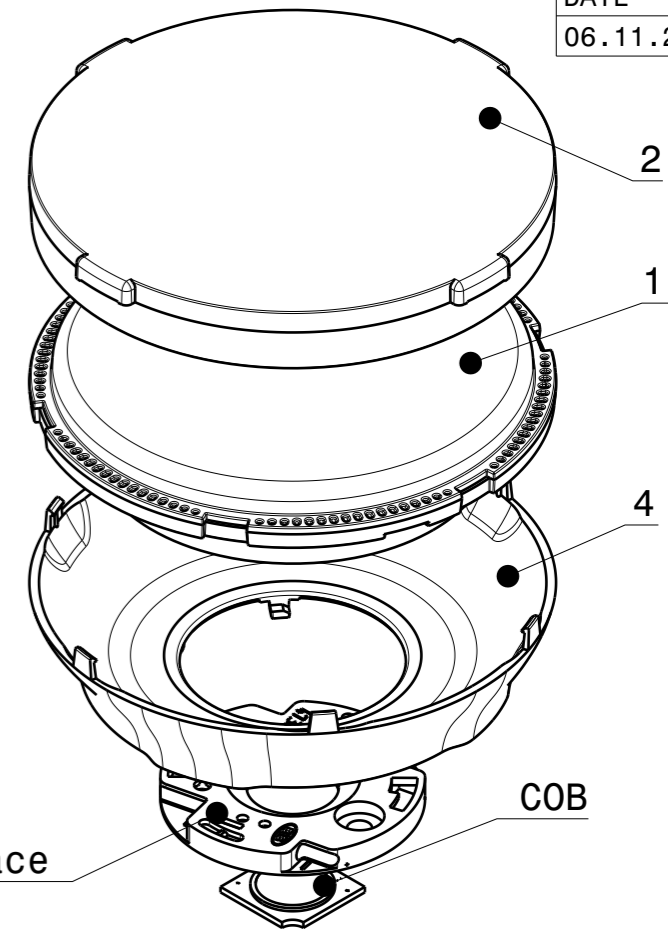
HEKLA  
Connector



CP19106\_ AMY-70-ZOOM-B2  
CP19122\_ AMY-70-ZOOM-B2-WHT  
CP19649\_ AMY-70-ZOOM-B50  
CP19657\_ AMY-70-ZOOM-B50-WHT



Connector  
BJB / B+W 35mm/50mm-interface



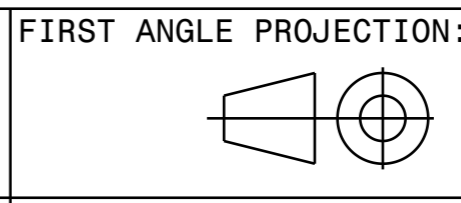
Top view  
Scale: 1:1

INDEX	PART	TYPE	QTY	MATERIAL	COLOUR/COATING	ASSEMBLY CODES
1	AMY-70-ZOOM	LENS	1			
	C18617_ AMY-70-ZOOM			PMMA	CLEAR	
2	C18618_ AMY-70-ZOOM-SUB	SUBLENS	1	PMMA	CLEAR	
3	HOLDER C	HOLDER	1			
	C19021_ AMY-70-HLD2-C			PC	BLACK	CP19046_ AMY-70-ZOOM-C2
	C19023_ AMY-70-HLD2-C-WHT			PC	WHITE	CP19113_ AMY-70-ZOOM-C2-WHT
4	HOLDER B					
	C19022_ AMY-70-HLD2-B			PC	BLACK	CP19106_ AMY-70-ZOOM-B2
	C19024_ AMY-70-HLD2-B-WHT			PC	WHITE	CP19122_ AMY-70-ZOOM-B2-WHT
	C19579_ AMY-70-HLD2-B50			PC	BLACK	CP19649_ AMY-70-ZOOM-B50
	C19580_ AMY-70-HLD2-B50-WHT			PC	WHITE	CP19657_ AMY-70-ZOOM-B50-WHT

**MECHANICAL DRAWING**

PRODUCT  
**AMY-70-ZOOM**

Plastic moulding general tolerances according to DIN 16901-130 and applies if not otherwise shown in the drawing.  
Silicone moulding general tolerances according to ISO 3302-1 Class M3 and applies if not otherwise shown in the drawing.



SCALE 1:1

WEIGHT -

**LEDiL**

This drawing is the property of LEDiL Oy. It may not be copied or otherwise distributed without prior written permission from LEDiL Oy.

A3 SHEET 1/4

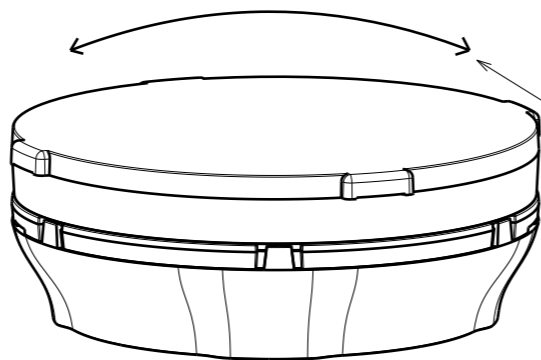
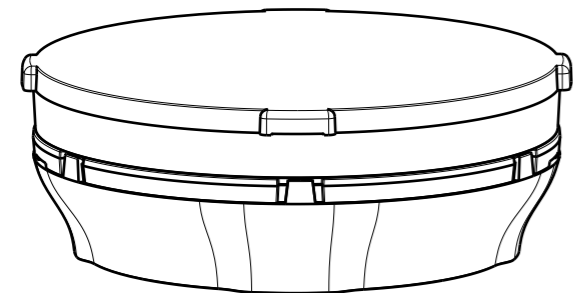
**Notes**

	PCB or heatsink level.
	LED location
	Ensure LED fitting from a product specific 3D model available from <a href="http://www.ledil.com">www.ledil.com</a>
	For more details about installation please see LEDiL Installation Guide on <a href="http://www.ledil.com">www.ledil.com</a>

**BEAM ANGLE MARKING**

Spot

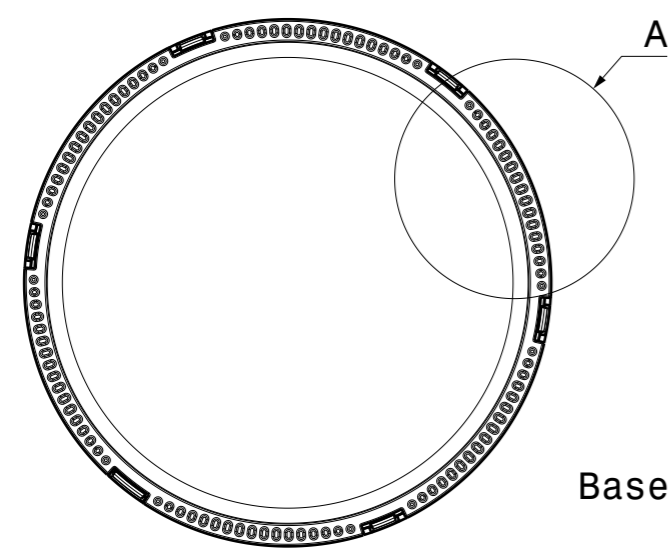
Wide



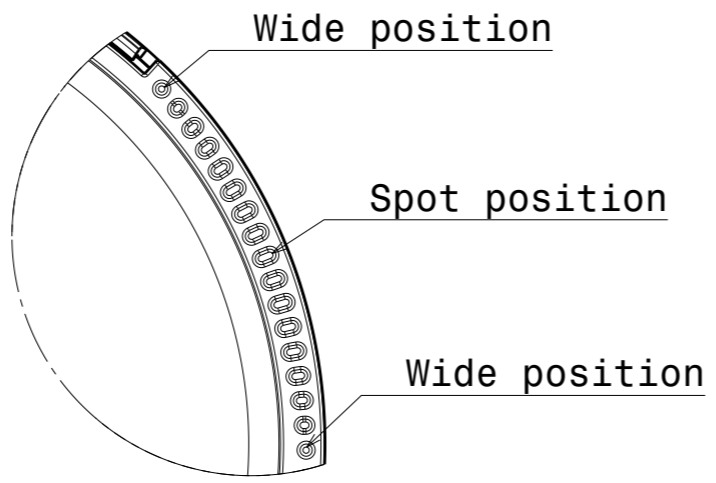
Assembly

SUB-lens rotate freely.  
Beam angle changing smoothly.  
spot - wide - spot - wide ...

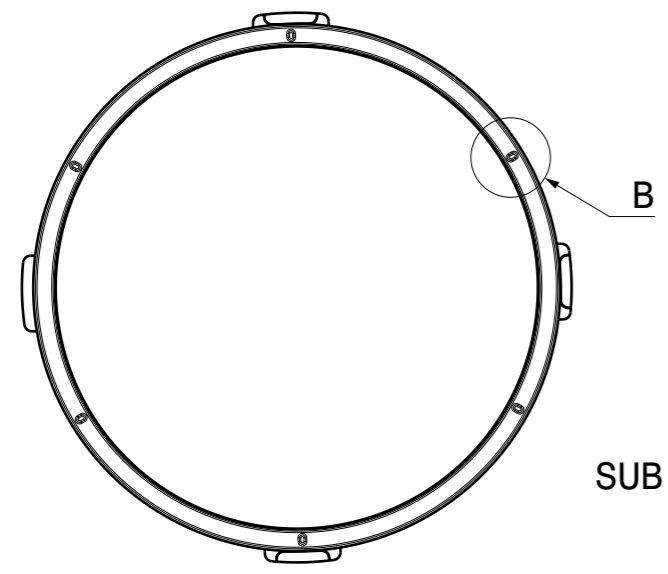
22.5 degrees rotation angle between spot and wide



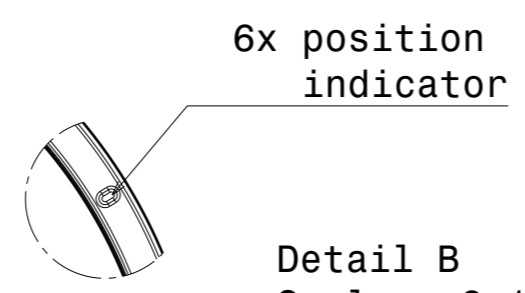
Base lens



Detail A  
Scale: 2:1



SUB lens



Detail B  
Scale: 2:1

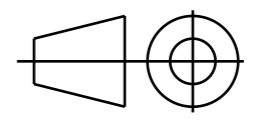
**MECHANICAL DRAWING**

PRODUCT **AMY-70-ZOOM**

**LEDiL**

Plastic moulding general tolerances according to DIN 16901-130 and applies if not otherwise shown in the drawing.  
Silicone moulding general tolerances according to ISO 3302-1 Class M3 and applies if not otherwise shown in the drawing.

FIRST ANGLE PROJECTION:



This drawing is the property of LEDiL Oy. It may not be copied or otherwise distributed without prior written permission from LEDiL Oy.

SCALE 1:1

WEIGHT -

A3 SHEET 2/4

**Notes**

- PCB or heatsink level.
- LED location
- Ensure LED fitting from a product specific 3D model available from [www.ledil.com](http://www.ledil.com)
- For more details about installation please see LEDiL Installation Guide on [www.ledil.com](http://www.ledil.com)

4

4

3

3

2

2

1

1

H

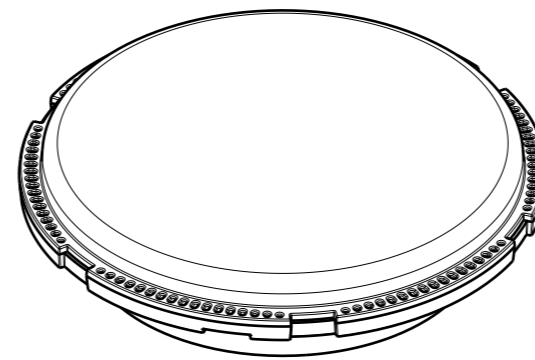
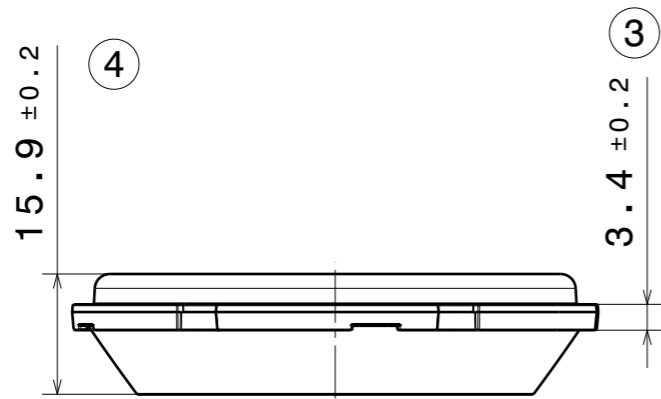
G

B

A

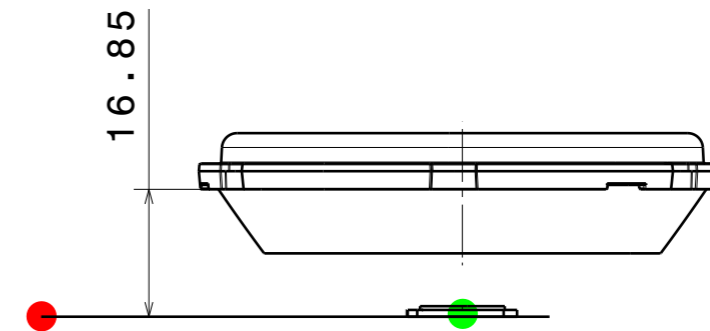
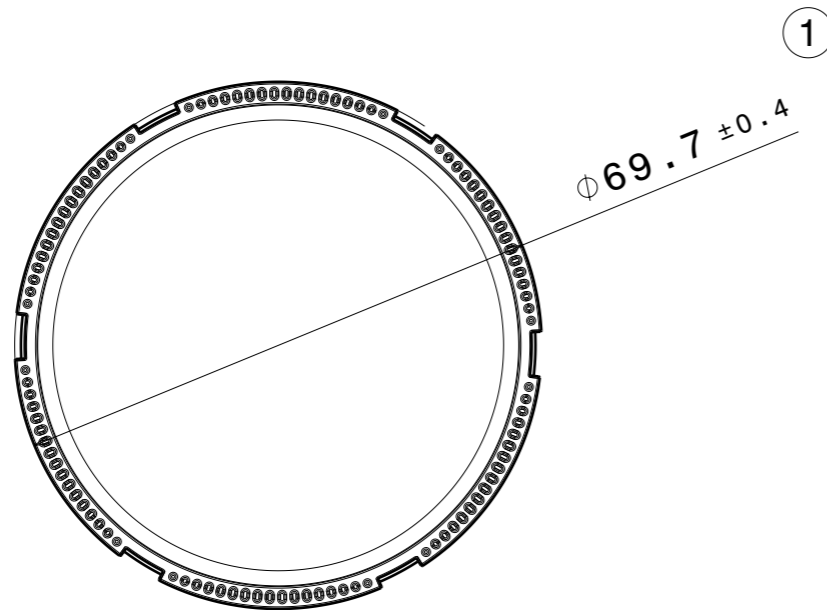
H G F E D C B A

4



4

3



3

2

2

PART	TYPE	MATERIAL	COLOR / COATING
C18617_AMY-70-ZOOM	LENS	PMMA	CLEAR

<b>MECHANICAL DRAWING</b>		<b>LEDiL</b>
PRODUCT	AMY-70-ZOOM	
Plastic moulding general tolerances according to DIN 16901-130 and applies if not otherwise shown in the drawing. Silicone moulding general tolerances according to ISO 3302-1 Class M3 and applies if not otherwise shown in the drawing.	FIRST ANGLE PROJECTION: 	This drawing is the property of LEDiL Oy. It may not be copied or otherwise distributed without prior written permission from LEDiL Oy.
SCALE	1:1	WEIGHT -
		A3 SHEET 3/4

**Notes**

	PCB or heatsink level.
	LED location
	Ensure LED fitting from a product specific 3D model available from <a href="http://www.ledil.com">www.ledil.com</a>
	For more details about installation please see LEDiL Installation Guide on <a href="http://www.ledil.com">www.ledil.com</a>

H G F E D C B A

1

1

