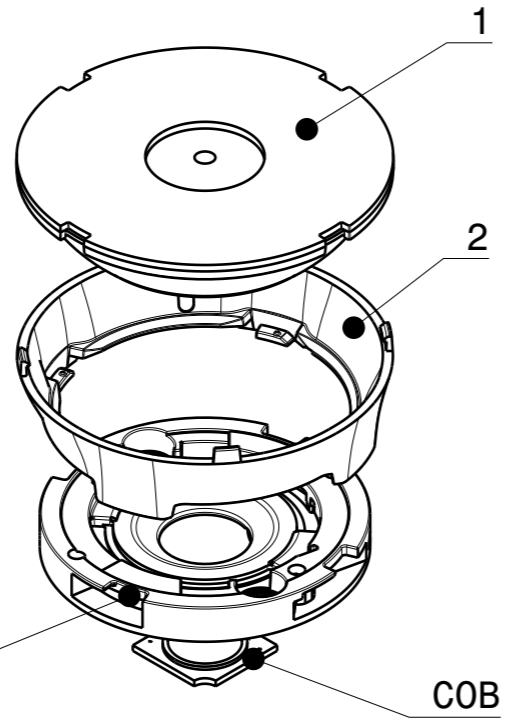
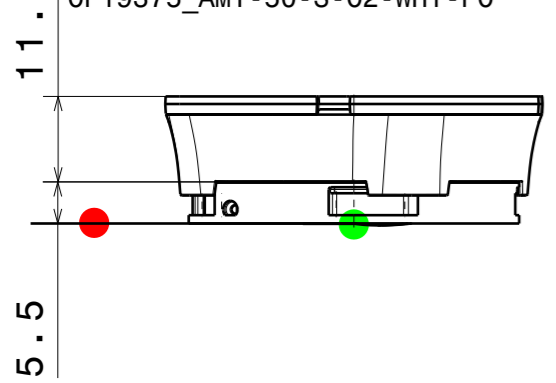


DATE  
05.05.2023

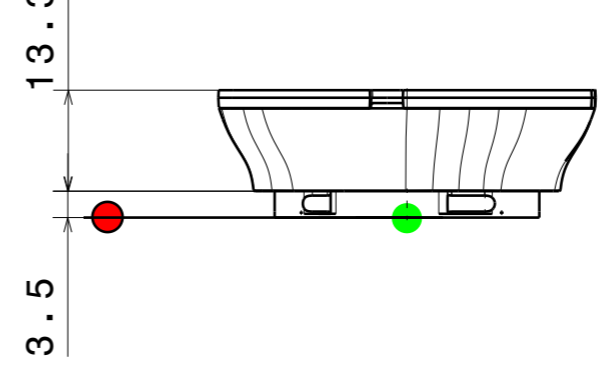
CP19123\_ AMY-50-S-C2  
 CP19141\_ AMY-50-S-C2-WHT  
 CP18851\_ AMY-50-S-C2-PC  
 CP19375\_ AMY-50-S-C2-WHT-PC



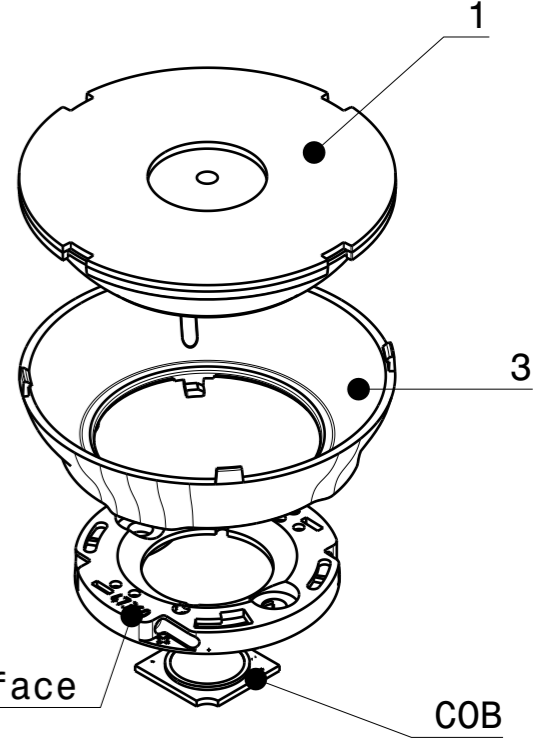
HEKLA  
Connector

COB

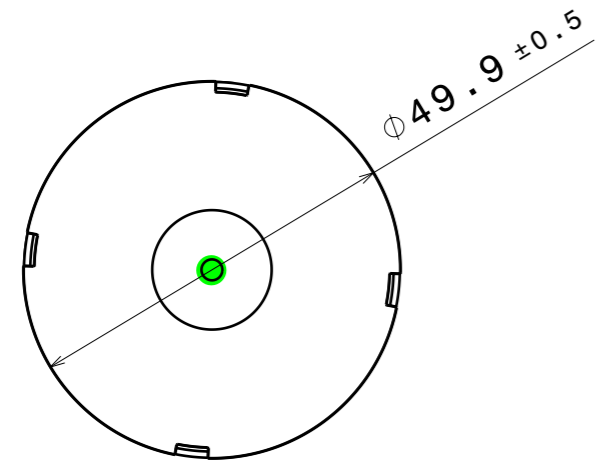
CP19132\_ AMY-50-S-B2  
 CP19150\_ AMY-50-S-B2-WHT  
 CP18858\_ AMY-50-S-B2-PC  
 CP19383\_ AMY-50-S-B2-WHT-PC



Connector  
BJB / B+W 35mm-interface



COB



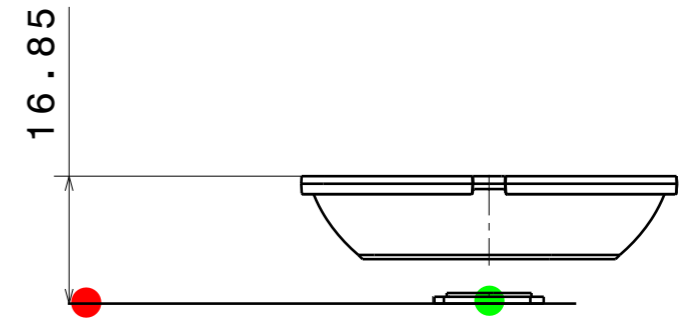
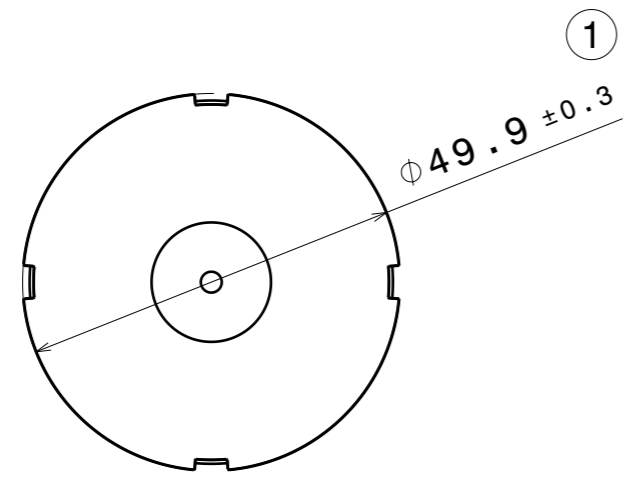
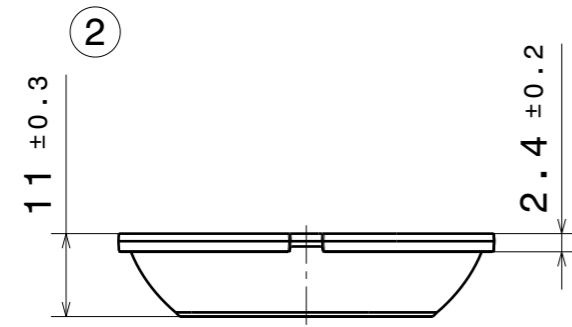
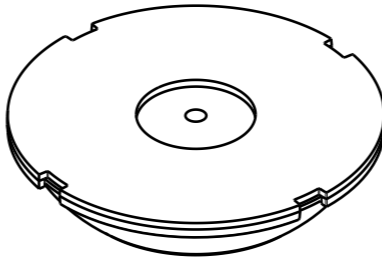
Top view  
Scale: 1:1

INDEX	PART	TYPE	QTY	MATERIAL	COLOUR/COATING	ASSEMBLY CODES
1	AMY-50-S	LENS	1			
	C17686_ AMY-50-S			PMMA	CLEAR	
	C18844_ AMY-50-S-PC			PC	CLEAR	
2	HOLDER C	HOLDER	1			
	C19017_ AMY-50-HLD2-C			PC	BLACK	CP19123_ AMY-50-S-C2 CP18851_ AMY-50-S-C2-PC
	C19019_ AMY-50-HLD2-C-WHT			PC	WHITE	CP19141_ AMY-50-S-C2-WHT CP19375_ AMY-50-S-C2-WHT-PC
3	HOLDER B					
	C19018_ AMY-50-HLD2-B			PC	BLACK	CP19132_ AMY-50-S-B2 CP18858_ AMY-50-S-B2-PC
	C19020_ AMY-50-HLD2-B-WHT			PC	WHITE	CP19150_ AMY-50-S-B2-WHT CP19383_ AMY-50-S-B2-WHT-PC

<b>MECHANICAL DRAWING</b>		<b>LEDiL</b>
PRODUCT <b>AMY-50-S</b>		
Plastic moulding general tolerances according to DIN 16901-130 and applies if not otherwise shown in the drawing. Silicone moulding general tolerances according to ISO 3302-1 Class M3 and applies if not otherwise shown in the drawing.	FIRST ANGLE PROJECTION: 	This drawing is the property of LEDiL Oy. It may not be copied or otherwise distributed without prior written permission from LEDiL Oy.
SCALE 1:1	WEIGHT -	A3 SHEET 1/1

**Notes**

- PCB or heatsink level.
- LED location
- Ensure LED fitting from a product specific 3D model available from [www.ledil.com](http://www.ledil.com)
- For more details about installation please see LEDiL Installation Guide on [www.ledil.com](http://www.ledil.com)



PART	TYPE	MATERIAL	COLOR / COATING
C17686_AMY-50-S	LENS	PMMA	CLEAR
C18844_AMY-50-S-PC	LENS	PC	CLEAR

<b>MECHANICAL DRAWING</b>		<b>LEDiL</b>
PRODUCT <b>AMY-50-S</b>		
Plastic moulding general tolerances according to DIN 16901-130 and applies if not otherwise shown in the drawing. Silicone moulding general tolerances according to ISO 3302-1 Class M3 and applies if not otherwise shown in the drawing.	FIRST ANGLE PROJECTION: 	This drawing is the property of LEDiL Oy. It may not be copied or otherwise distributed without prior written permission from LEDiL Oy.
SCALE 1:1	WEIGHT -	A3 SHEET 1/1

**Notes**

	PCB or heatsink level.
	LED location
	Ensure LED fitting from a product specific 3D model available from <a href="http://www.ledil.com">www.ledil.com</a>
	For more details about installation please see LEDiL Installation Guide on <a href="http://www.ledil.com">www.ledil.com</a>