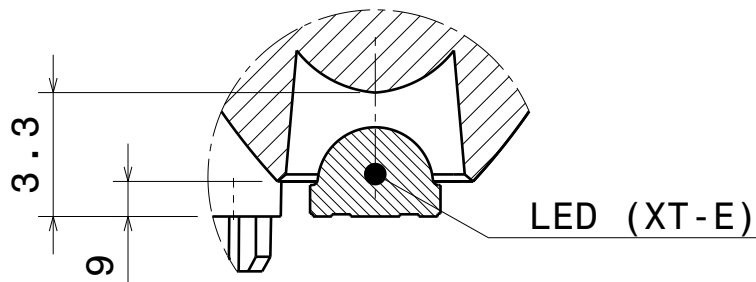


D

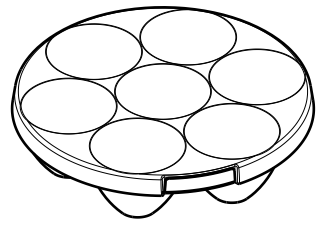
C

B

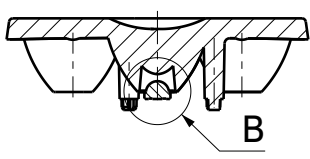
A



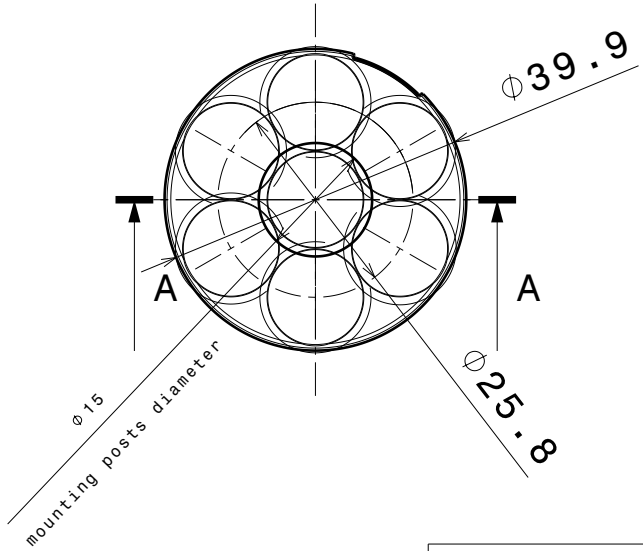
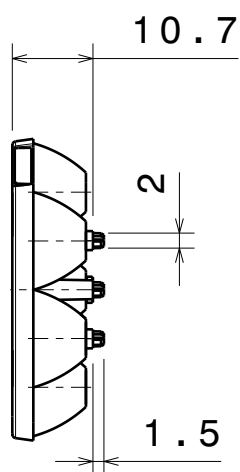
Detail B
Scale: 5:1



Isometric view
Scale: 1:1



Section view A-A
Scale: 1:1



PART	TYPE	MATERIAL
ANNA-40-7-series	lens	PMMA

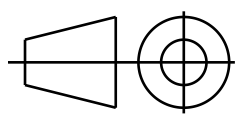
PRODUCTION DRAWING

FAMILY
ANNA

LEDiL

Plastic moulding general tolerances according to DIN 16901-130 and applies if not otherwise shown in the drawing. Silicone moulding general tolerances according to ISO 3302-1:2014(E)-M2 and applies if not otherwise shown in the drawing.

FIRST ANGLE PROJECTION:



This drawing is the property of LEDiL Oy. It may not be copied or otherwise distributed without prior written permission from LEDiL Oy.

SCALE 1:1

WEIGHT -

A4 SHEET 1/1

D

A

4

4

3

3

2

2

1

1