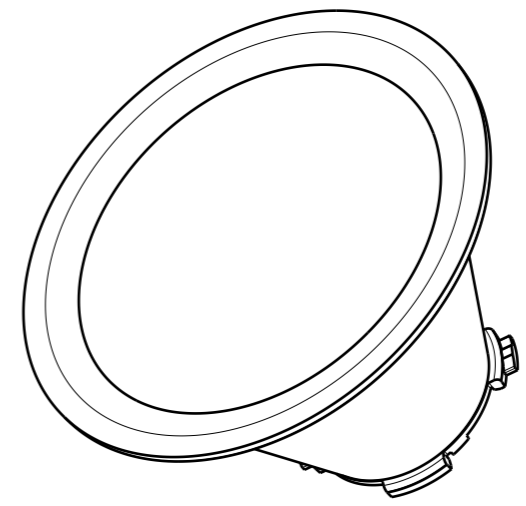
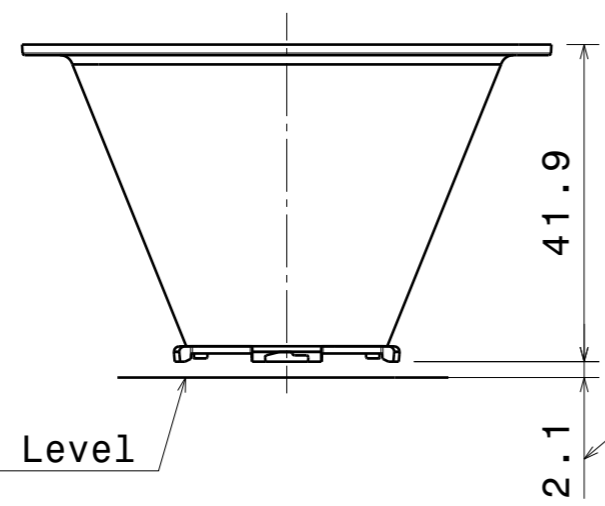


Front view
Scale: 1:1



Isometric view
Scale: 1:1



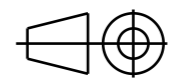
Top view
Scale: 1:1

Heatsink Level



Socket height

This mechanical drawing is compatible for:				
F16363_BARBARA-G2-S				
F16364_BARBARA-G2-M				
F16365_BARBARA-G2-W				
F16366_BARBARA-G2-WW				

COMPONENTS				
INDEX	PRODUCT	TYPE	MATERIAL	COLOUR/COATING
1	BARBARA-G2	REFLECTOR	PC	METAL

MECHANICAL DRAWING			LEDiL[®]	
PRODUCT C15986_STRADELLA-8-HV-VSM				
Tolerances if not otherwise shown According to DIN ISO 2768-1 Linear measures: Up to 30mm class M, otherwise class C. According to DIN ISO 2768-2 Form and position: class L		FIRST ANGLE PROJECTION: 		This drawing is the property of LEDiL Oy. It may not be reproduced, copied or communicated without a written agreement with LEDiL Oy.
SCALE	3:2	SIZE	A3	
		SHEET	1/2	

Notes

	PCB or heat sink level
	Led location
Ensure LED fitting from a product specific 3D model available from www.ledil.com	