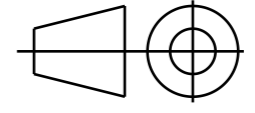


FCA18588\_BILLIE-S-WHT  
COMPONENTS

INDEX	PART	TYPE	MATERIAL	COLOR / COATING
1	C11269_HEIDI-TAPE	TAPE		
2	F18586_BILLIE-S	LENS	PMMA	
3	F13328_BILLIE-HLD-PIN-TAPE	HOLDER	PC	white

<b>MECHANICAL DRAWING</b>		<b>LEDiL</b>
PRODUCT <b>BILLIE-S-WHT</b>		
Plastic moulding general tolerances according to DIN 16901-130 and applies if not otherwise shown in the drawing. Silicone moulding general tolerances according to ISO 3302-1 Class M3 and applies if not otherwise shown in the drawing.	FIRST ANGLE PROJECTION: 	This drawing is the property of LEDiL Oy. It may not be copied or otherwise distributed without prior written permission from LEDiL Oy.
SCALE 3:1	WEIGHT -	A3 SHEET 1/1