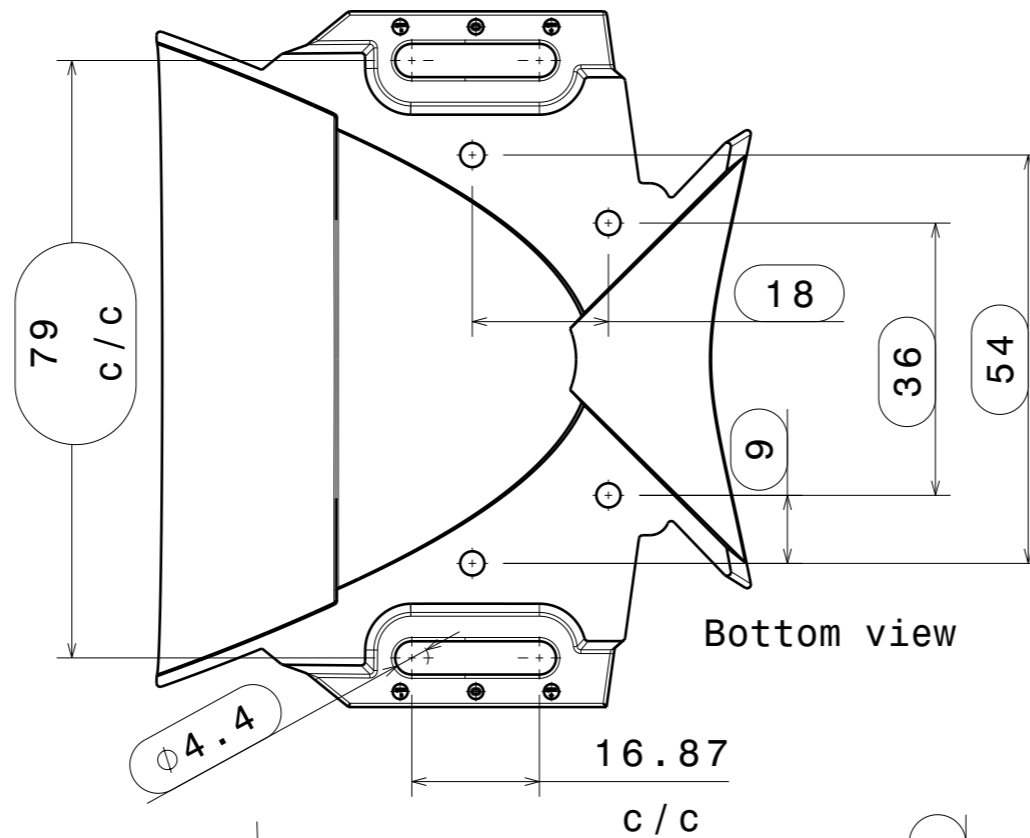
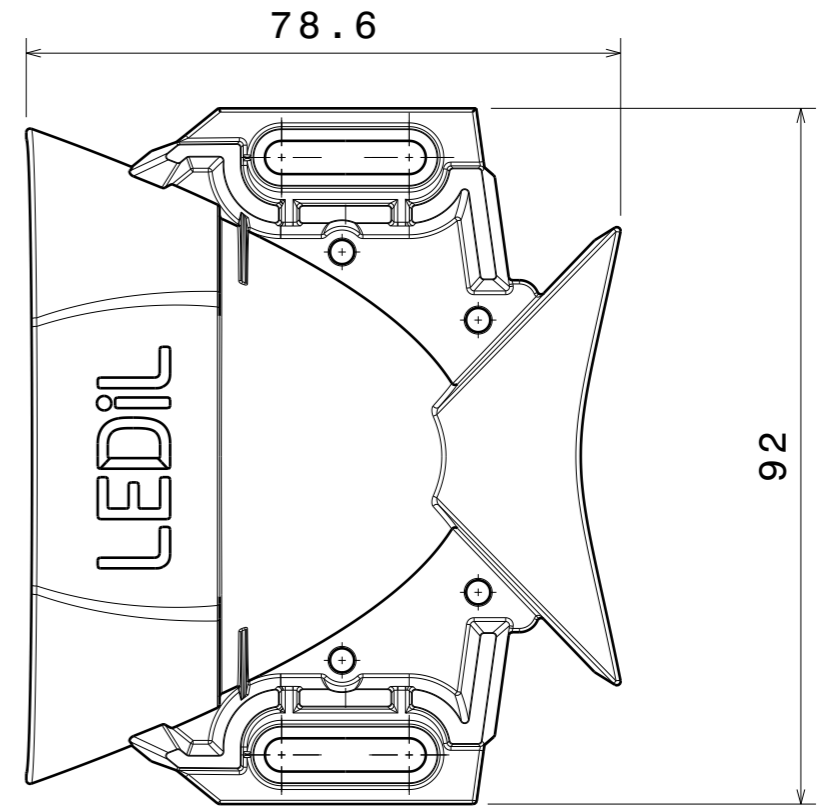


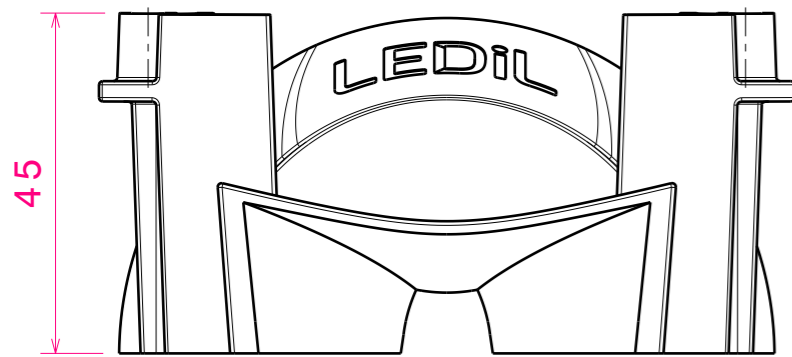
Isometric view



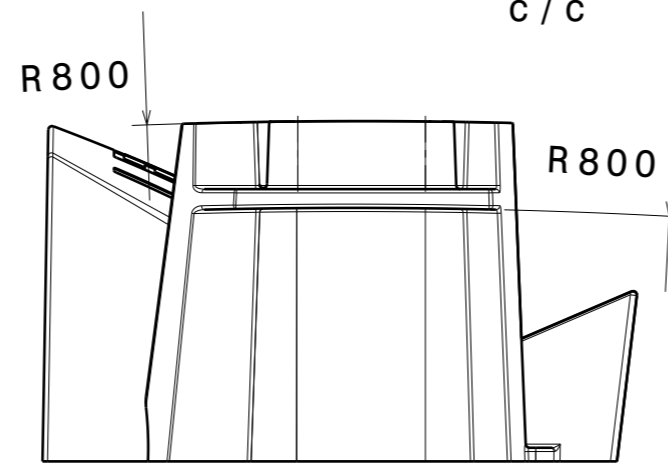
Bottom view



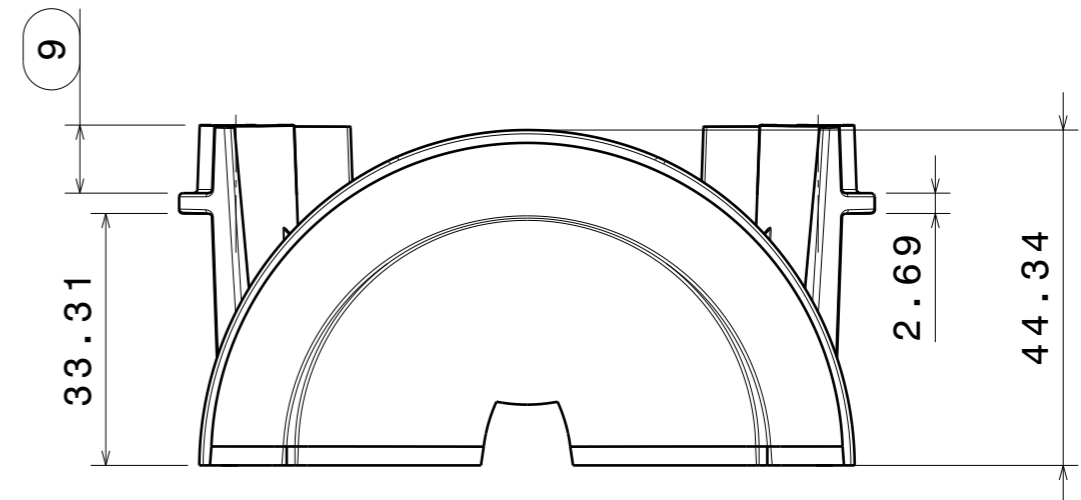
Top view



Right view



Front view



Left view

INDEX	PART NO	DESCRIPTION	MATERIAL	COLOUR
1	C13898	BLONDIE-A	PC Makrolon 2407, metal coated	

LEGEND

1	Inspectional dimensions marked with:
2	See CAD file for detailed geometry information. Surface finishing markings are only shown in drawing level.
Surface finish:	Blue areas: SPE-A1, Yellow areas: VDI12. Details on Sheet 4.
Finish specifications:	-

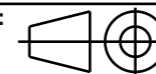
LEDiL PROPRIETARY This drawing is the property of LEDiL Oy. It may not be reproduced, copied or communicated without a written agreement with LEDiL Oy.

Tolerances if not otherwise shown
According to DIN ISO 2768-1
Linear measures:
Up to 30mm class F, otherwise class M.
According to DIN ISO 2768-2
Form and position: class K
Control for SPC marked dimensions.

LEDiL

Ledil Oy
Salorankatu 10
FIN 24240 SALO
Finland

THIRD ANGLE PROJECTION:



DRAWING TITLE

C13898_BLONDIE-A

DRAWN BY	DATE
arsii.siuuattti	04.12.2013
CHECKED BY	DATE
petri.laukkanen	
DESIGNED BY	DATE
hh	

SIZE	PART NUMBER	REV
A3	C13898	001
SCALE	1:1	WEIGHT
		44,77 g
SHEET	1/5	