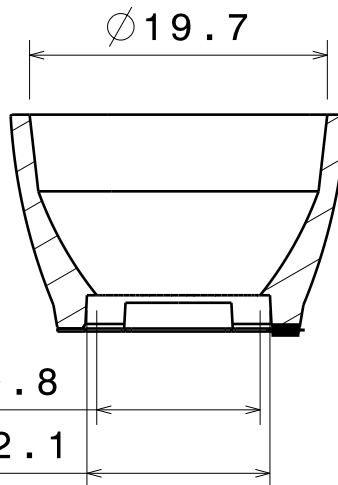
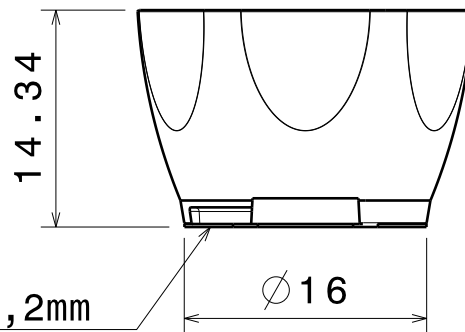


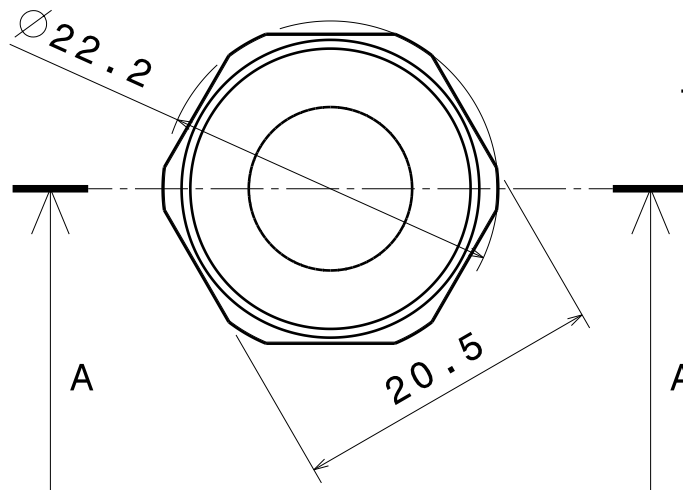
Isometric view
Scale: 1:1



Section view A-A



Front view



Top view

Material:
PC with metal coating

Part no.s:
Spot CA10715
Medium CA10930
Wide CA10931

This drawing is our property.
It can't be reproduced
or communicated without
our written agreement.



Ledil Oy
Tehdaskatu 13
FIN-24100 SALO
Finland

DRAWING TITLE

Datasheet Boom-reflector assy

DRAWN BY pv		DATE 22.06.2009		DRAWING NUMBER -			REV 2
CHECKED BY tk		DATE 09.02.2009		SIZE A4	WEIGHT (g)		SHEET 1/1
DESIGNED BY HH		DATE 07.08.2008		SCALE 2:1	WEIGHT (g)		SHEET 1/1