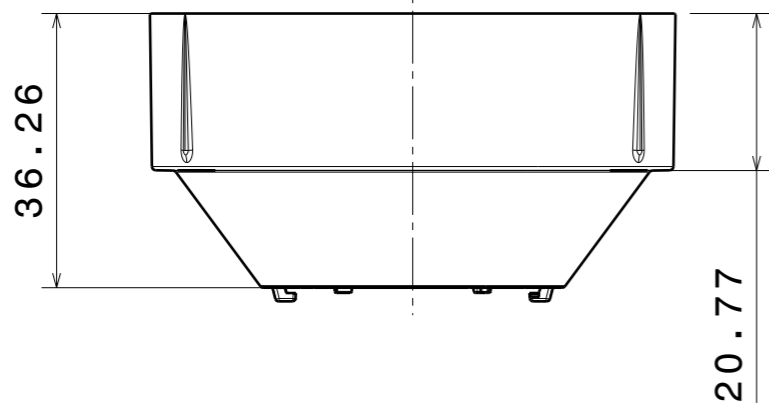
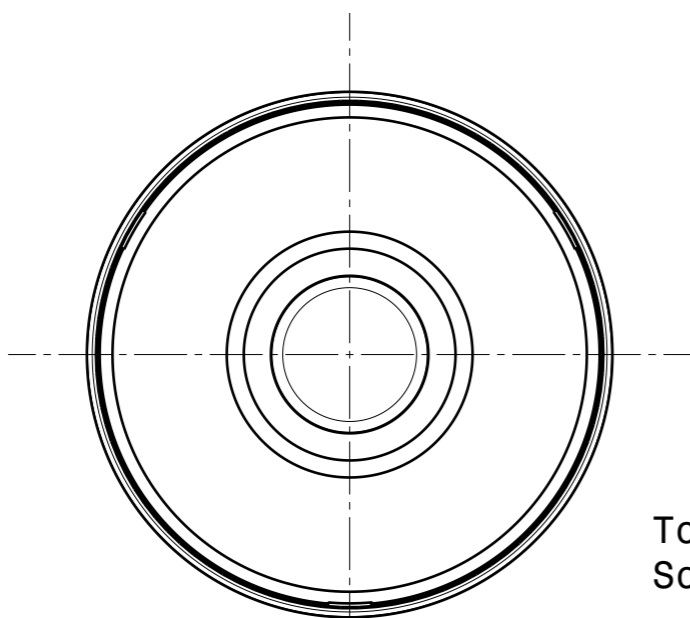


Bottom view  
Scale: 1:1

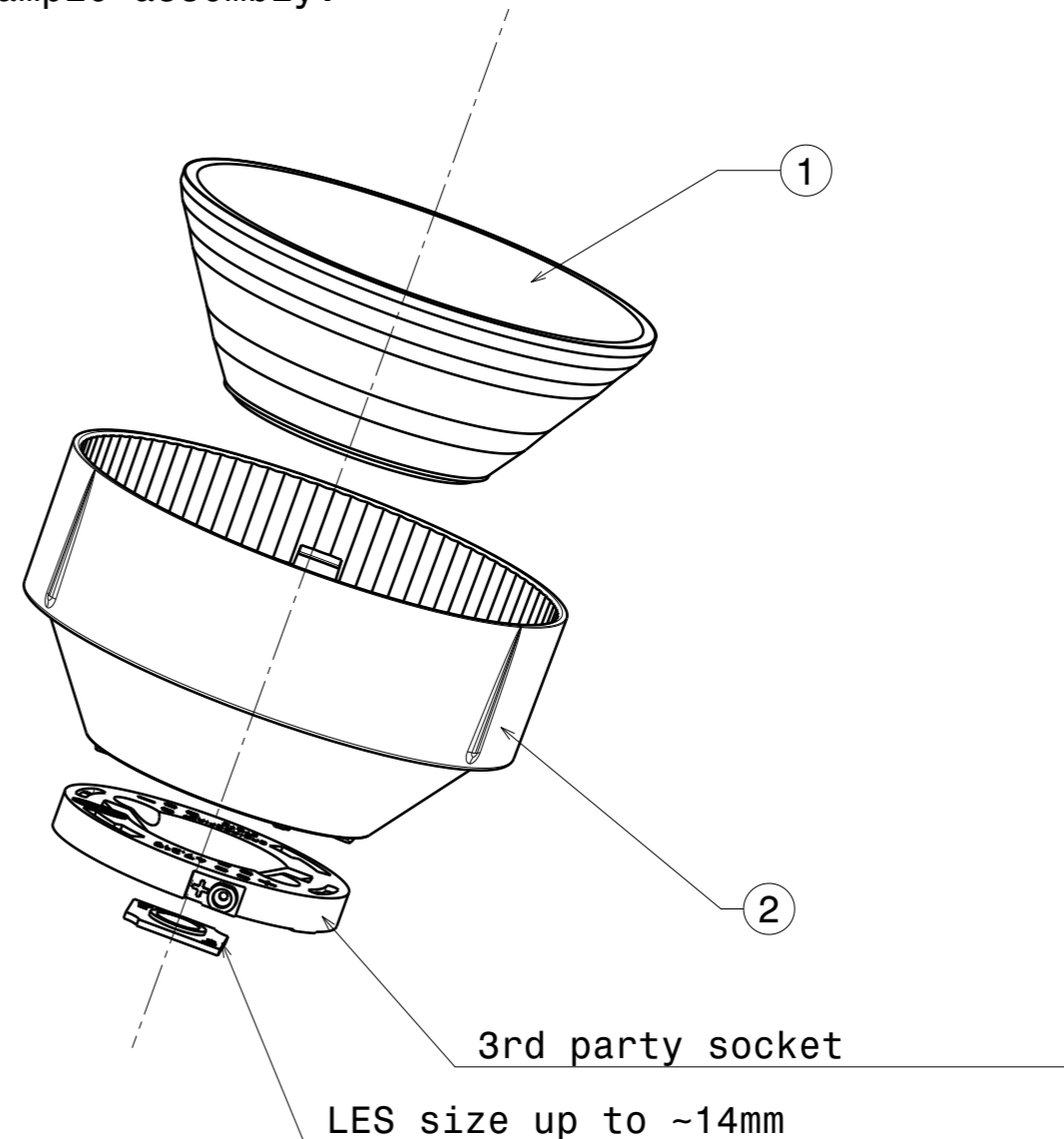


Side view A  
Scale: 1:1



Top view  
Scale: 1:1

Example assembly:



INDEX	PART NO	MATERIAL	COLOUR
1	CARMEN-LENS	PMMA	
2	F15211_CARMEN-HLD-B	PC	BLACK

Tolerances if not otherwise shown  
According to DIN ISO 2768-1  
Linear measures:  
up to 30mm class M, otherwise class C  
According to DIN ISO 2768-2  
Form and position: class L

**LEDiL** LediL Oy  
Joensuunkatu 13  
FIN 24240 SALO  
Finland

THIRD ANGLE PROJECTION:

DRAWING TITLE  
**CARMEN-B**

This drawing is the property of LEDiL Oy. It may not be reproduced, copied or communicated without a written agreement with LEDiL Oy.

SIZE PART NUMBER  
**A3**

SCALE 1:1 WEIGHT SHEET 1/1