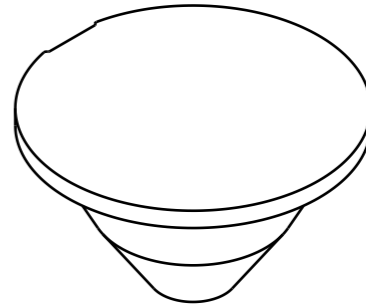
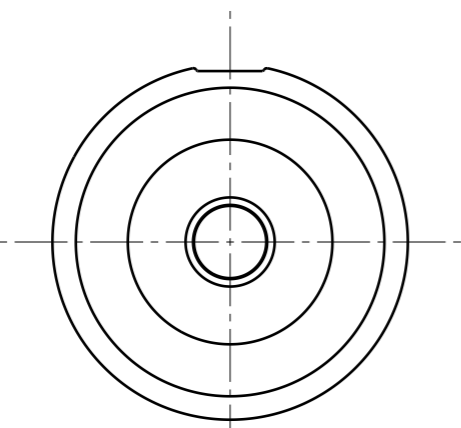


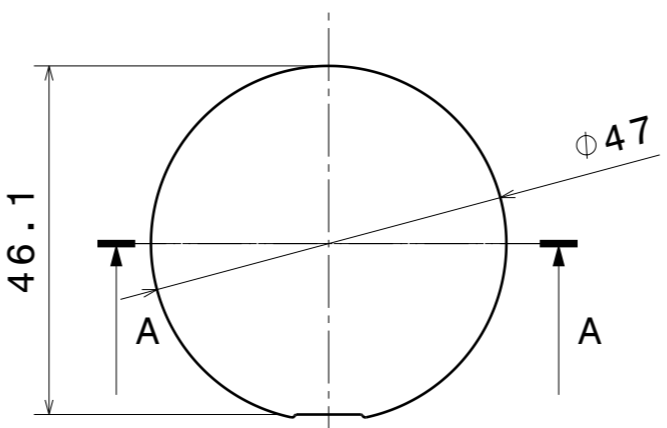
Section view A-A  
Scale: 1:1



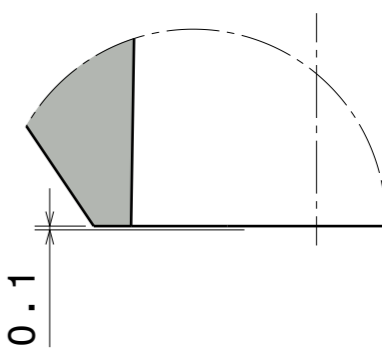
Isometric view



Bottom view



Top view



Detail B  
Scale: 5:1

PART	TYPE	MATERIAL	COLOR / COATING
CRYSTAL-RS_		PMMA	

<b>MECHANICAL DRAWING</b>		<b>LEDiL<sup>®</sup></b>
PRODUCT <b>CRYSTAL</b>		
Plastic moulding general tolerances according to DIN 16901-130 and applies if not otherwise shown in the drawing. Silicone moulding general tolerances according to ISO 3302-1 Class M3 and applies if not otherwise shown in the drawing.	FIRST ANGLE PROJECTION: 	This drawing is the property of LEDiL Oy. It may not be copied or otherwise distributed without prior written permission from LEDiL Oy.
SCALE 1:1	WEIGHT -	A3 SHEET 1/1

4

4

3

3

2

2

1

1