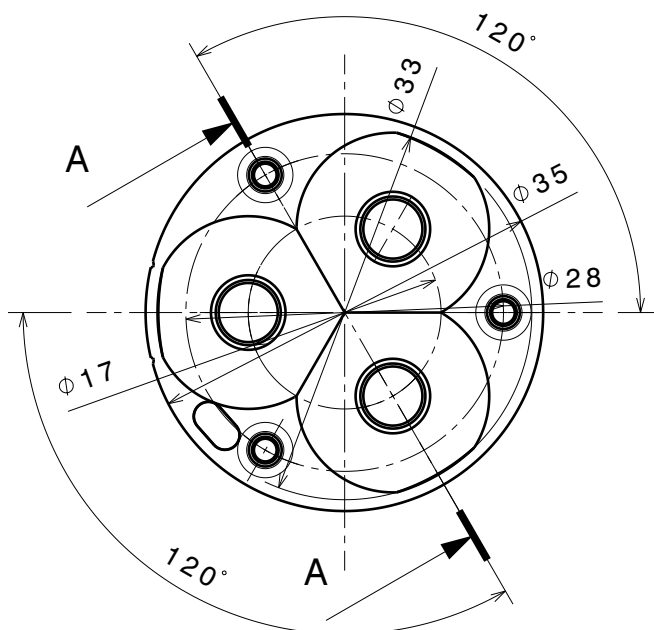
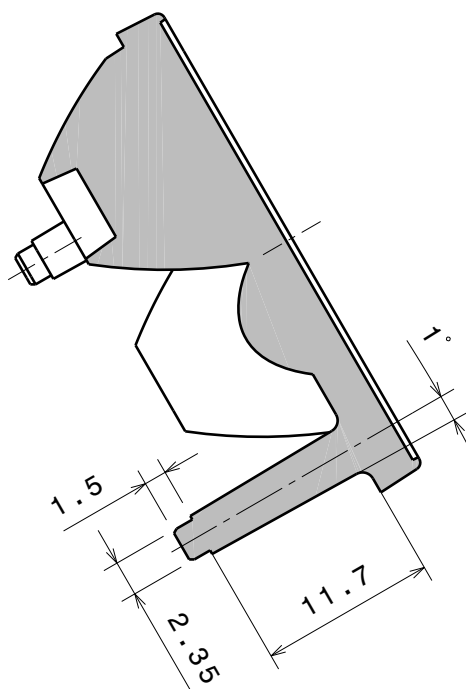


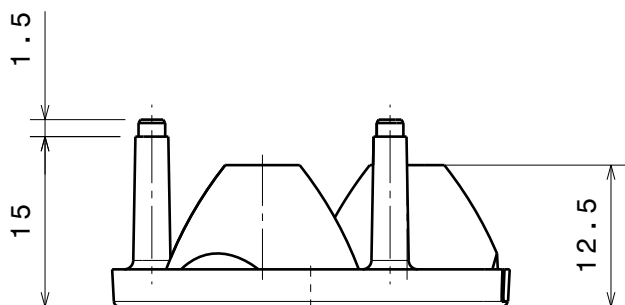
DATE
25.06.2018



Bottom view



Section view A-A
Scale: 2:1



Front view

PART	TYPE	MATERIAL	COLOR / COATING
C10427_Cute-3-M	LENS	PMMA	CLEAR

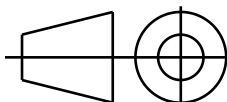
MECHANICAL DRAWING

PRODUCT
CUTE

LEDiL®

Plastic moulding general tolerances according to DIN 16901-130 and applies if not otherwise shown in the drawing. Silicone moulding general tolerances according to ISO 3302-1 Class M3 and applies if not otherwise shown in the drawing.

FIRST ANGLE PROJECTION:



This drawing is the property of LEDiL Oy. It may not be copied or otherwise distributed without prior written permission from LEDiL Oy.

SCALE 3:2

WEIGHT -

A4 SHEET 1/1