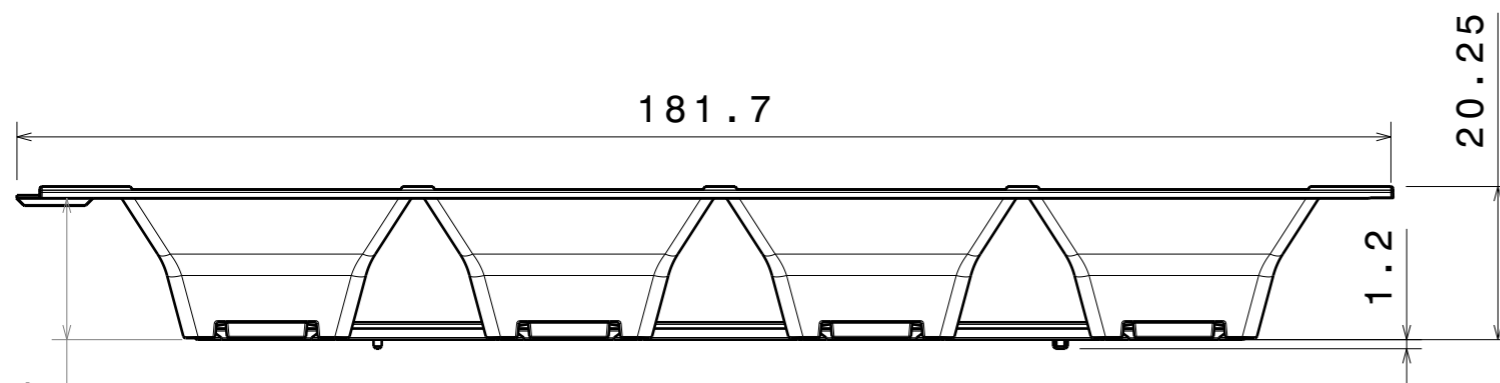
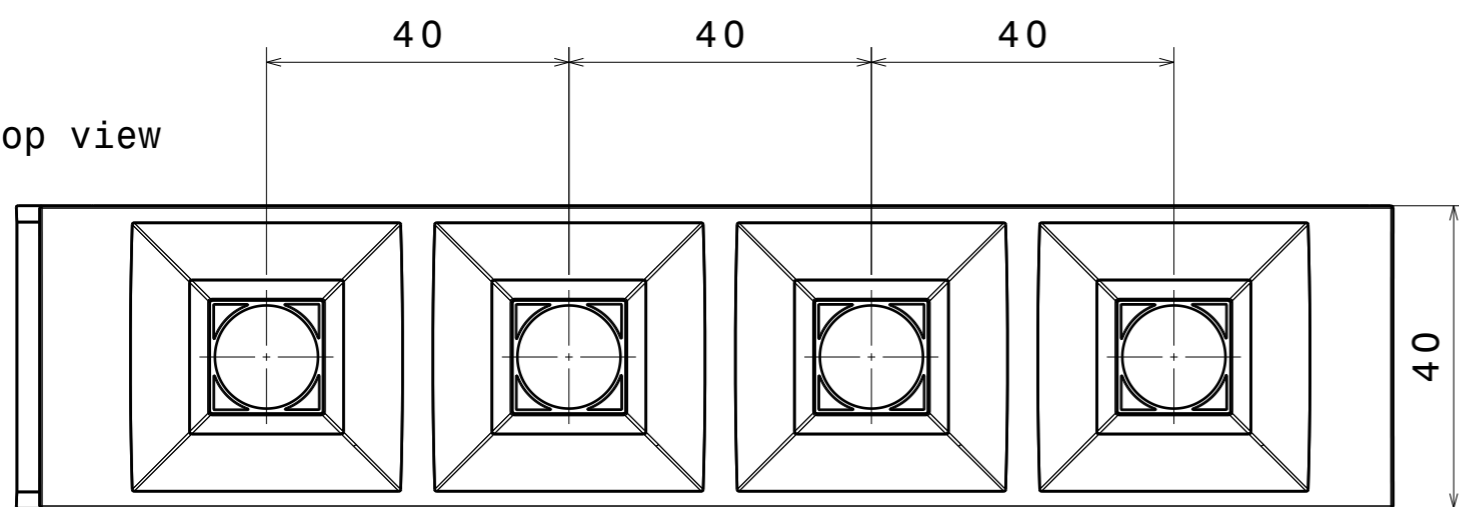


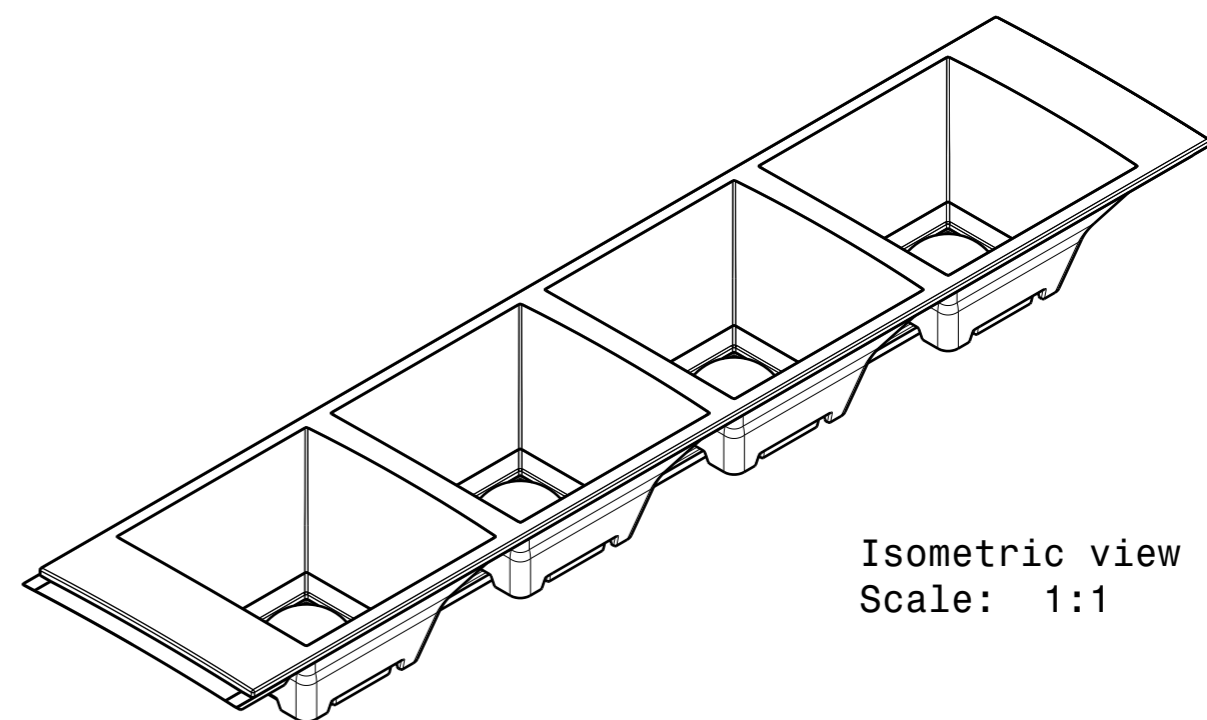
Bottom view



Front view



Top view



Isometric view
Scale: 1:1

INDEX	QTY.	PART NO	TYPE	MATERIAL	COLOR / COATING
1	1	C16584_DAIISY-4X1-WW	LENS	PMMA	CLEAR
2	1	SHD			
2		C16590_DAIISY-4X1-SHD	SHADE	PC/ABS	BLACK
2		C16784_DAIISY-4X1-SHD-WHT	SHADE	PC	WHITE
2		C17528_DAIISY-4X1-SHD-MET	SHADE	PC/ABS	METAL

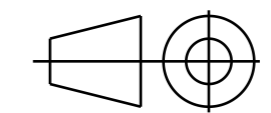
MECHANICAL DRAWING

PRODUCT
DAISY - 4X1

LEDiL®

Plastic moulding general tolerances according to DIN 16901-130 and applies if not otherwise shown in the drawing.
Silicone moulding general tolerances according to ISO 3302-1 Class M3 and applies if not otherwise shown in the drawing.

FIRST ANGLE PROJECTION:



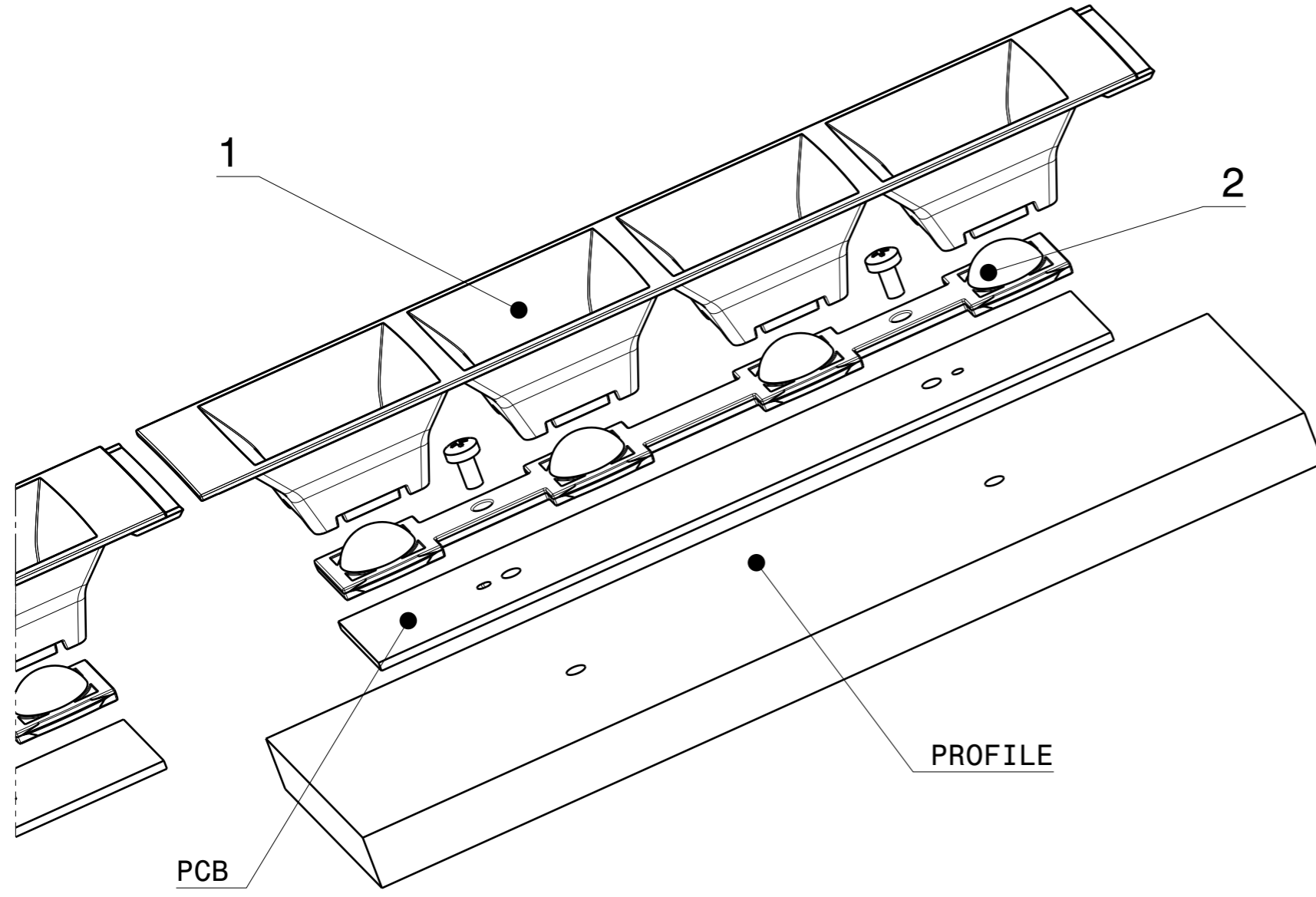
This drawing is the property of LEDiL Oy. It may not be copied or otherwise distributed without prior written permission from LEDiL Oy.

SCALE	1:1	WEIGHT	-	A3	SHEET 1/1
-------	-----	--------	---	----	-----------

Notes

- PCB or heatsink level.
- LED location
- Ensure LED fitting from a product specific 3D model available from www.ledil.com
- For more details about installation please see LEDiL Installation Guide on www.ledil.com

H G F E D C B A



Positioning of different LED combinations



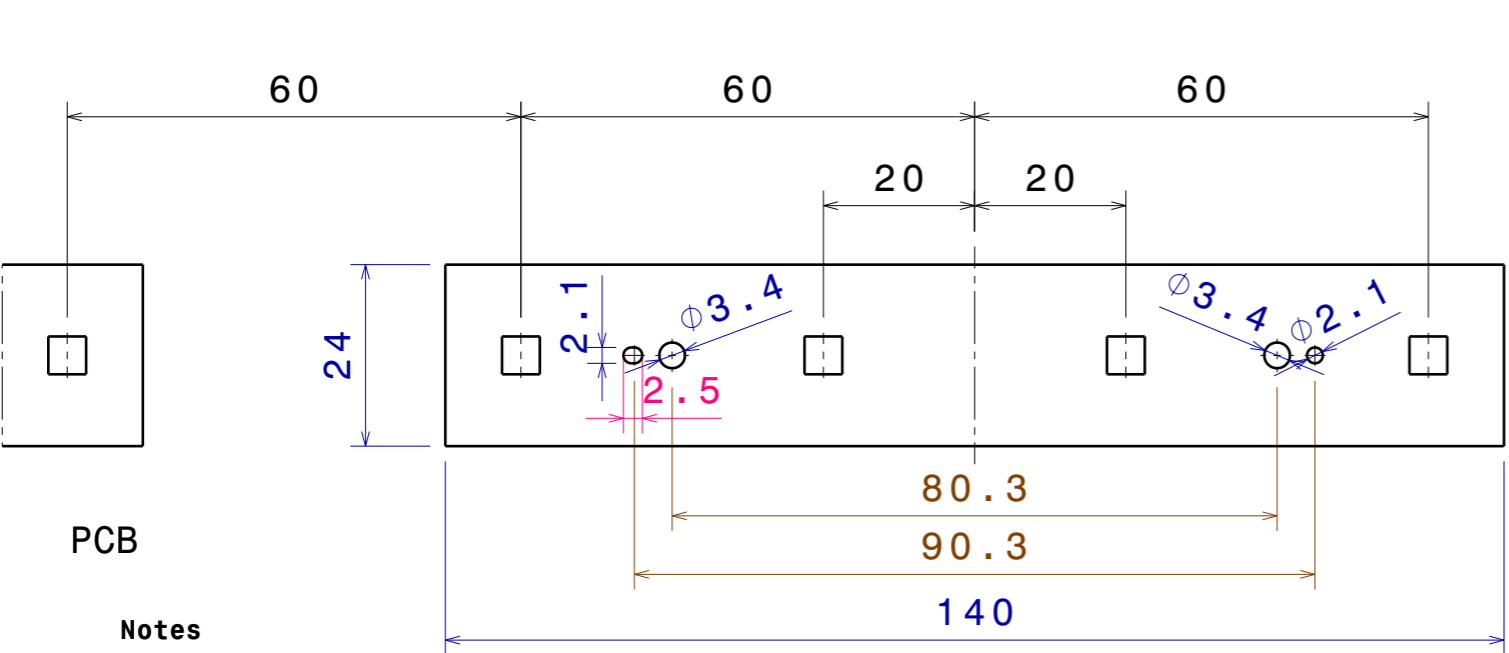
LED 1 X 5050



LED 2 X 5630



LED 4 X 2835



INDEX	QTY.	PART NO	TYPE	MATERIAL	COLOR / COATING
1	1	C16584_DAISSY-4X1-WW	LENS	PMMA	CLEAR
2	1	SHD			
2		C16590_DAISSY-4X1-SHD	SHADE	PC/ABS	BLACK
2		C16784_DAISSY-4X1-SHD-WHT	SHADE	PC	WHITE
2		C17528_DAISSY-4X1-SHD-MET	SHADE	PC/ABS	METAL

PCB

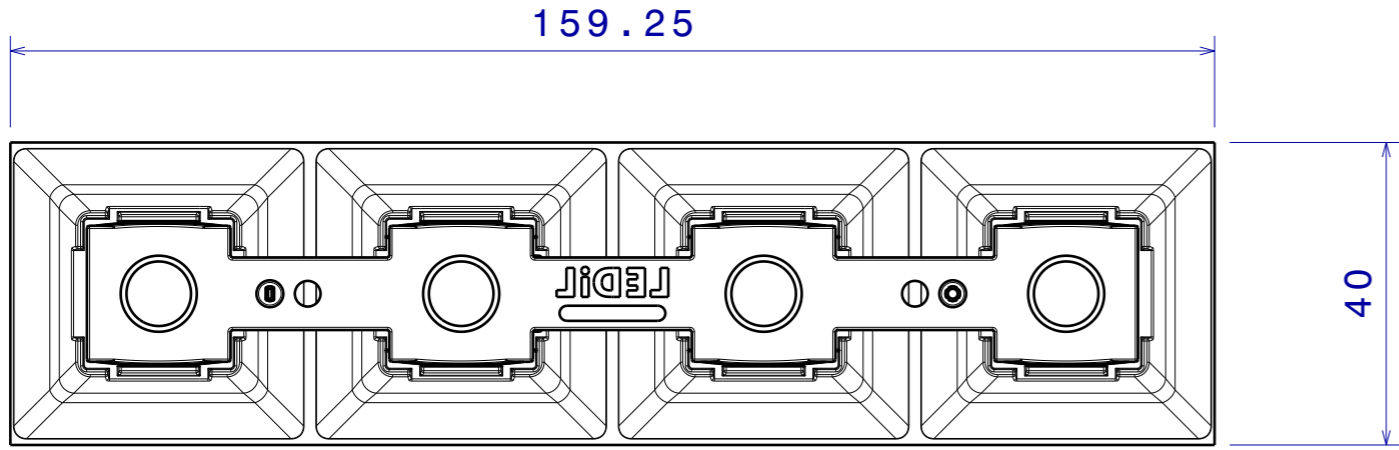
Notes

Ensure LED fitting from a product specific 3D model available from www.ledil.com
 For more details about installation please see LEDiL Installation Guide on www.ledil.com

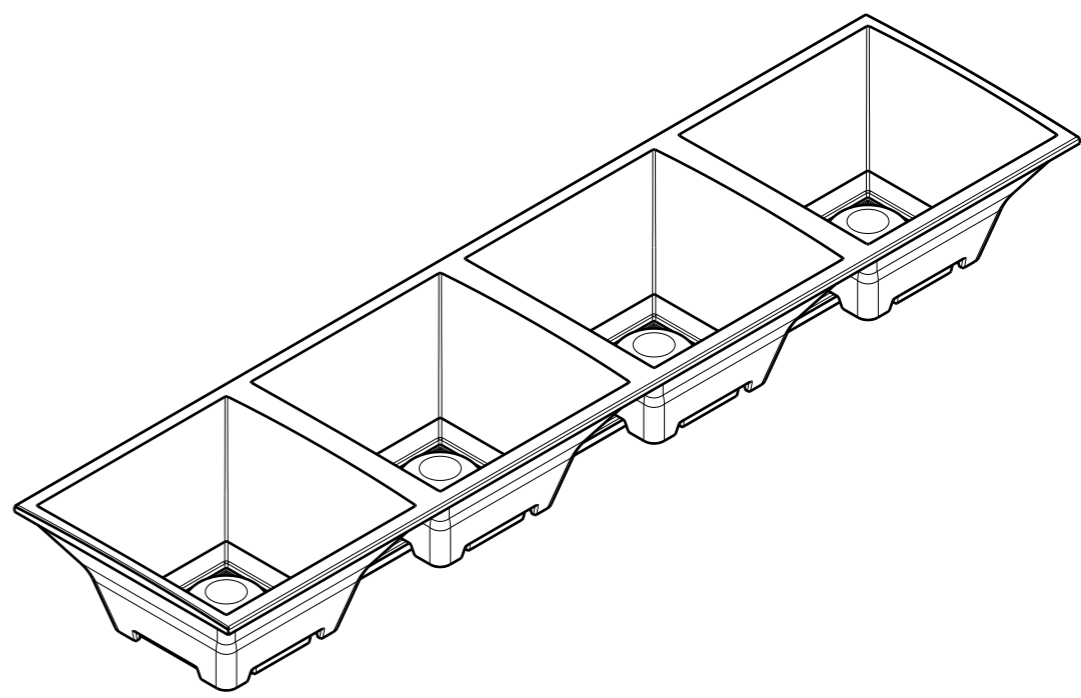
MECHANICAL DRAWING		LEDiL®
PRODUCT DAISSY - 4X1		
Plastic moulding general tolerances according to DIN 16901-130 and applies if not otherwise shown in the drawing. Silicone moulding general tolerances according to ISO 3302-1 Class M3 and applies if not otherwise shown in the drawing.	FIRST ANGLE PROJECTION: 	This drawing is the property of LEDiL Oy. It may not be copied or otherwise distributed without prior written permission from LEDiL Oy.
SCALE 1:1	WEIGHT -	A3 SHEET 1/1

@ A B A

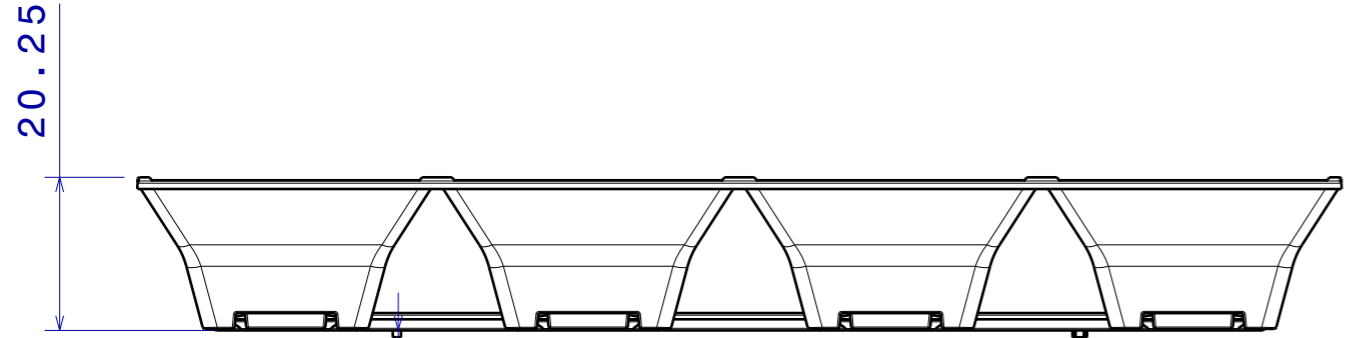
H G F E D C B A



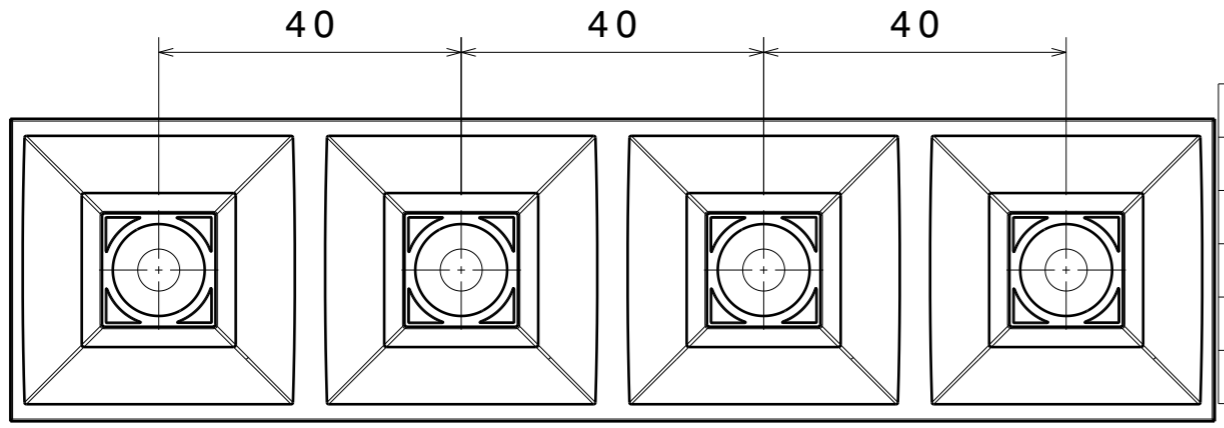
Bottom view



Isometric view
Scale: 1:1



Front view



Top view

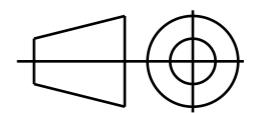
INDEX	QTY.	PART NO	TYPE	MATERIAL	COLOR / COATING
1	1	C16584_DAIISY-4X1-WW	LENS	PMMA	CLEAR
2	1	SHD			
2		C17422_DAIISY-4X1-SHD2-MATT	SHADE	PC/ABS	BLACK
2		C17423_DAIISY-4X1-SHD2-WHT-MATT	SHADE	PC	WHITE
2		C17535_DAIISY-4X1-SHD2-MET-MATT	SHADE	PC/ABS	METAL

MECHANICAL DRAWING

PRODUCT **DAISY-4X1**

Plastic moulding general tolerances according to DIN 16901-130 and applies if not otherwise shown in the drawing. Silicone moulding general tolerances according to ISO 3302-1 Class M3 and applies if not otherwise shown in the drawing.

FIRST ANGLE PROJECTION:



LEDiL[®]

This drawing is the property of LEDiL Oy. It may not be copied or otherwise distributed without prior written permission from LEDiL Oy.

SCALE 1:1

WEIGHT -

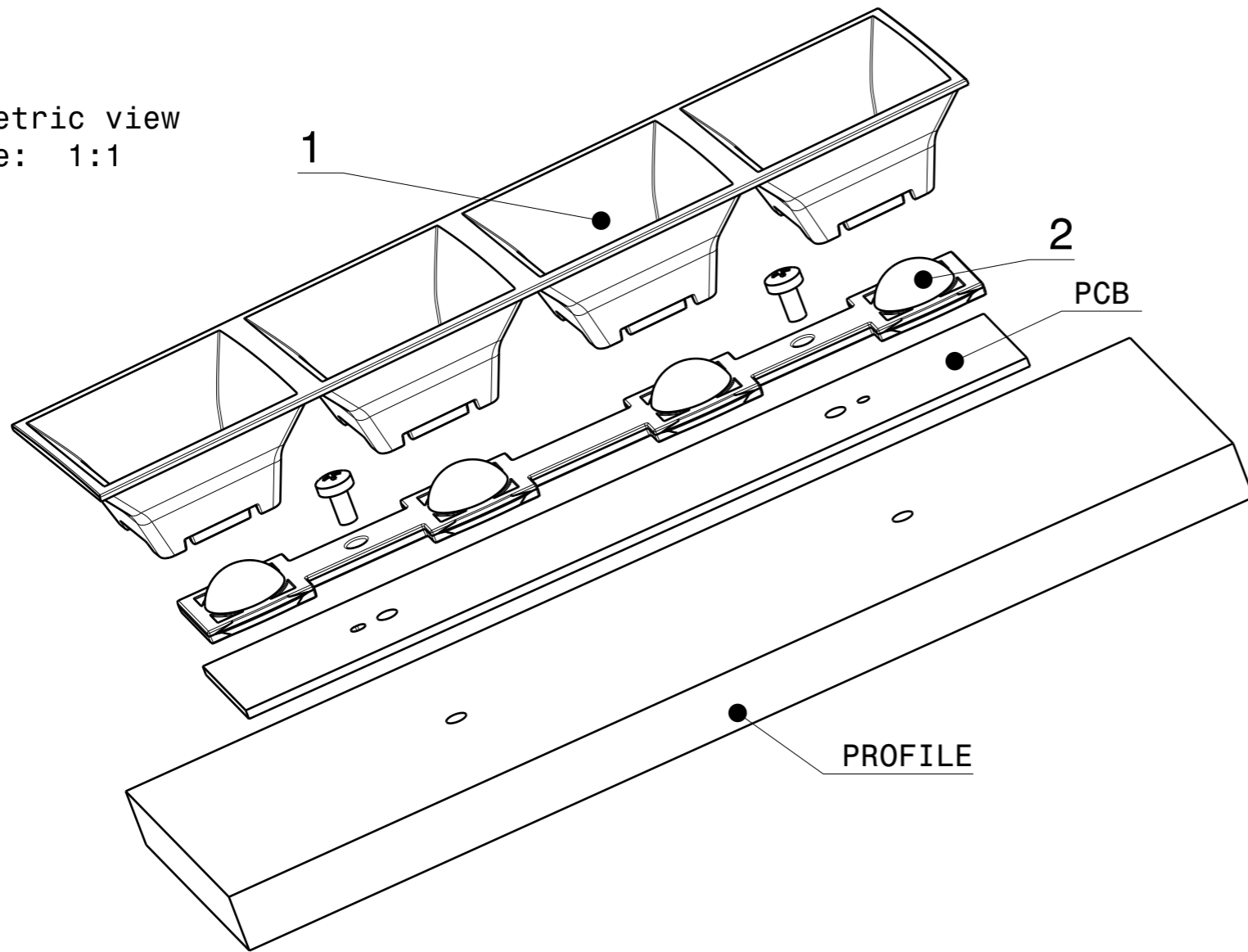
A3 SHEET 1/1

Notes

●	PCB or heatsink level.
●	LED location
	Ensure LED fitting from a product specific 3D model available from www.ledil.com
	For more details about installation please see LEDiL Installation Guide on www.ledil.com

H G F E D C B A

Isometric view
Scale: 1:1



Positioning of different LED combinations



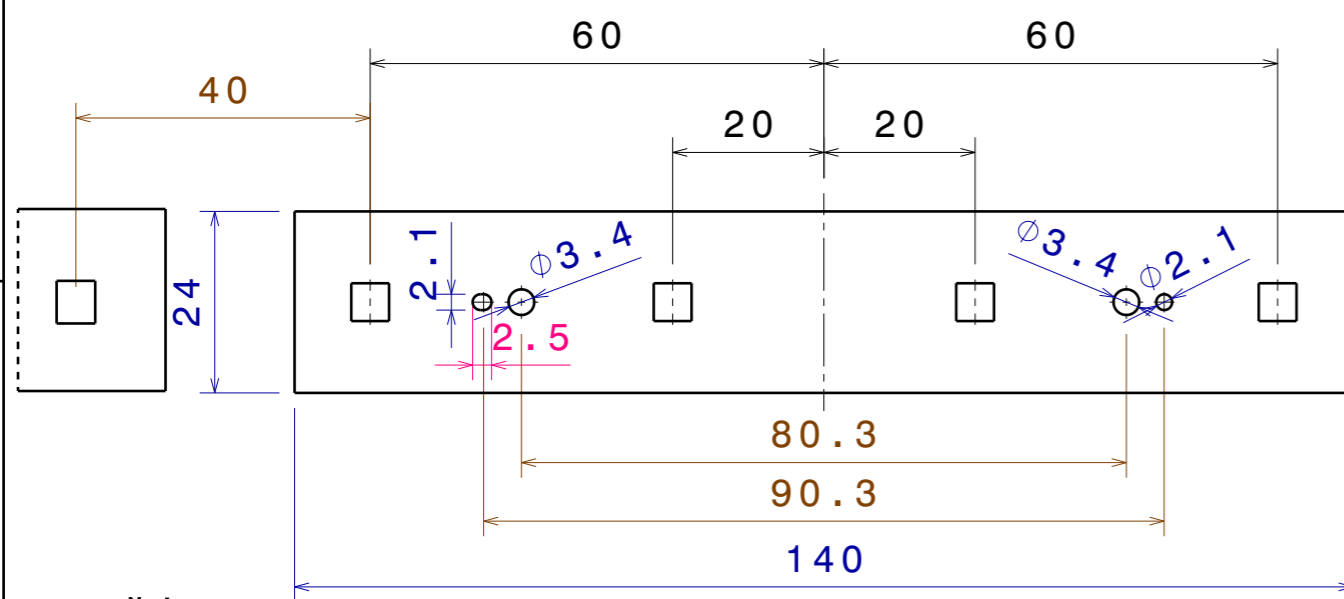
LED 1 X 5050



LED 2 X 5630



LED 4 X 2835



Notes

Ensure LED fitting from a product specific 3D model available from www.ledil.com
For more details about installation please see LEDiL Installation Guide on www.ledil.com

INDEX	QTY.	PART NO	TYPE	MATERIAL	COLOR / COATING
1	1	C16584_DAISSY-4X1-WW	LENS	PMMA	CLEAR
2	1	SHD			
2		C17422_DAISSY-4X1-SHD2-MATT	SHADE	PC/ABS	BLACK
2		C17423_DAISSY-4X1-SHD2-WHT-MATT	SHADE	PC	WHITE
2		C17535_DAISSY-4X1-SHD2-MET-MATT	SHADE	PC/ABS	METAL

MECHANICAL DRAWING

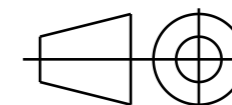
PRODUCT

DAISSY-4X1

LEDiL®

Plastic moulding general tolerances according to DIN 16901-130 and applies if not otherwise shown in the drawing.
Silicone moulding general tolerances according to ISO 3302-1 Class M3 and applies if not otherwise shown in the drawing.

FIRST ANGLE PROJECTION:



This drawing is the property of LEDiL Oy. It may not be copied or otherwise distributed without prior written permission from LEDiL Oy.

SCALE 1:1

WEIGHT -

A3 SHEET 1/1