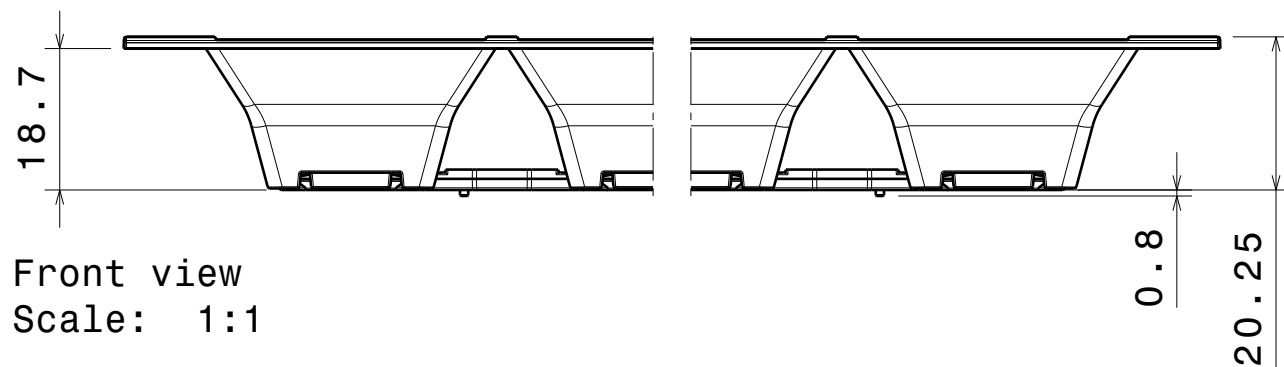
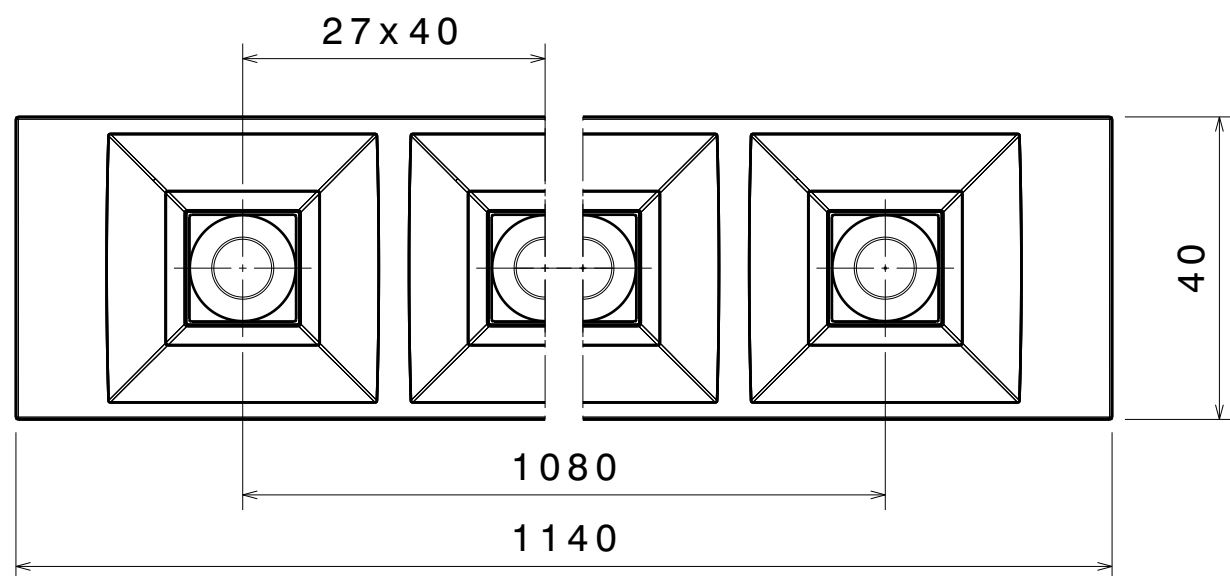


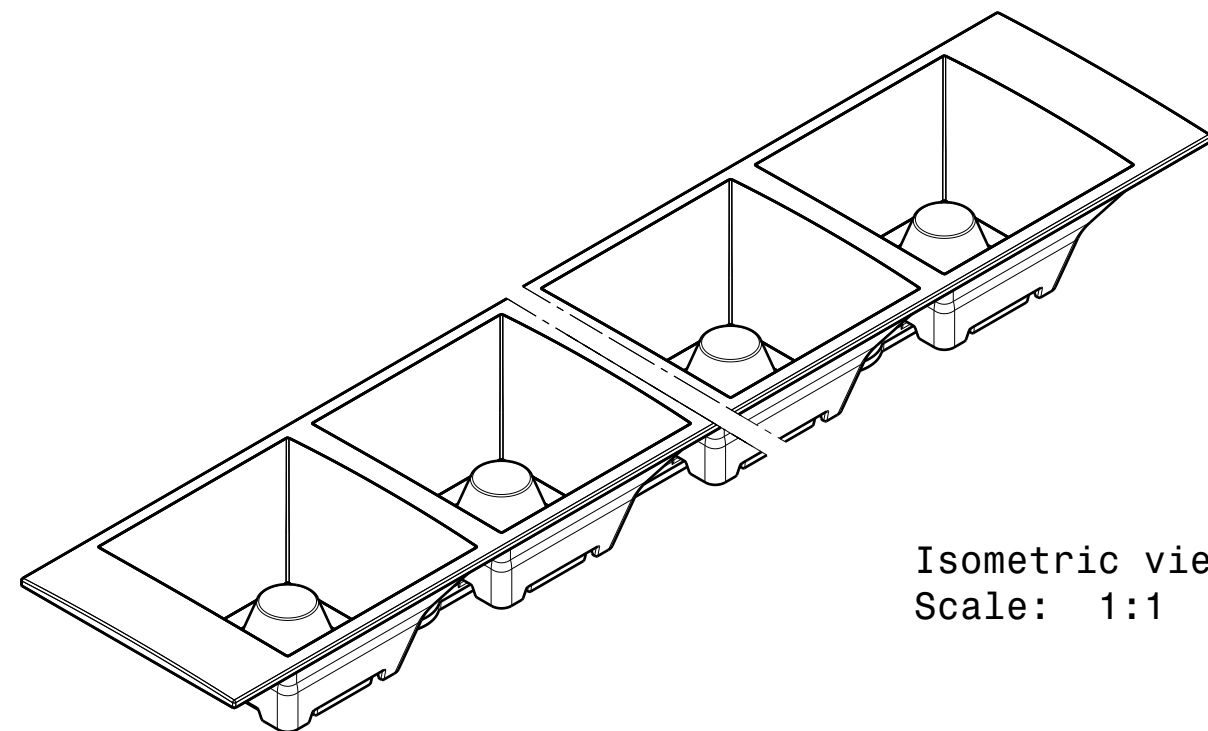
Bottom view  
Scale: 1:1



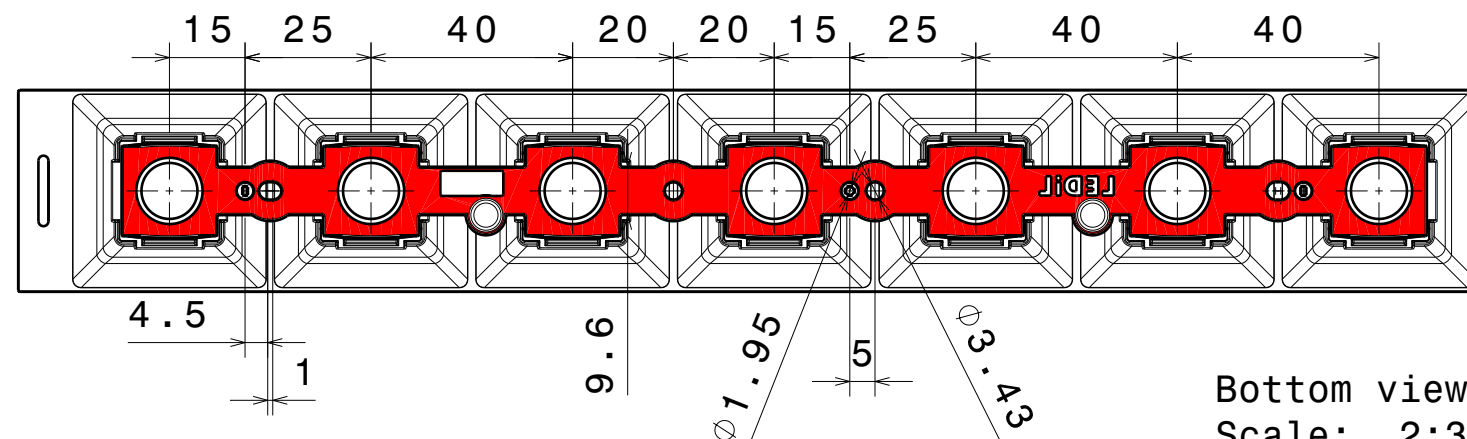
Front view  
Scale: 1:1



Top view  
Scale: 1:1



Isometric view  
Scale: 1:1



Bottom view  
Scale: 2:3

CN17377\_DAISSY-28X1-W2-B

**COMPONENTS**

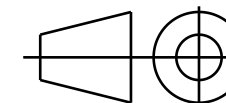
INDEX	QTY	PART	TYPE	MATERIAL	COLOR / COATING
1	4	C16989_DAISSY-7X1-W2		PMMA	
2	1	C16585_DAISSY-28X1-SHD		PC	Black

**MECHANICAL DRAWING**

PRODUCT  
**DAISSY 28x1**

Plastic moulding general tolerances according to DIN 16901-130 and applies if not otherwise shown in the drawing. Silicone moulding general tolerances according to ISO 3302-1 Class M3 and applies if not otherwise shown in the drawing.

FIRST ANGLE PROJECTION:



**LEDiL**®

This drawing is the property of LEDiL Oy. It may not be copied or otherwise distributed without prior written permission from LEDiL Oy.

SCALE 1:1

WEIGHT 212,9 g

A3 SHEET 1/1

**Notes**

- PCB or heatsink level.
- LED location
- Ensure LED fitting from a product specific 3D model available from [www.ledil.com](http://www.ledil.com)
- For more details about installation please see LEDiL Installation Guide on [www.ledil.com](http://www.ledil.com)