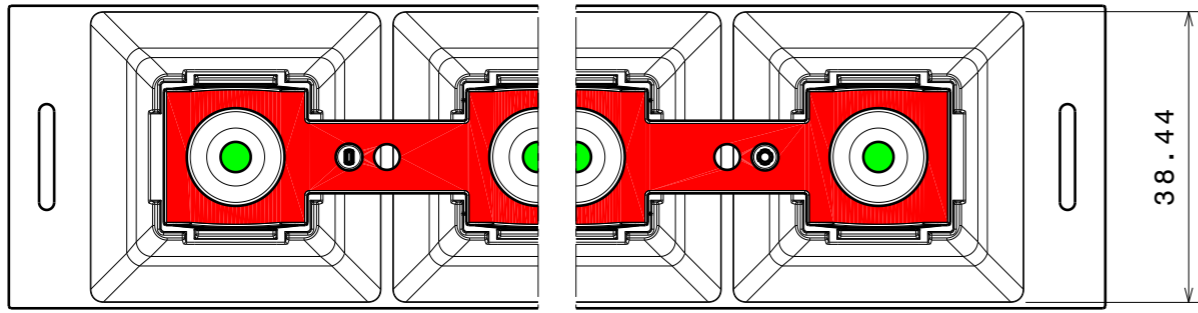
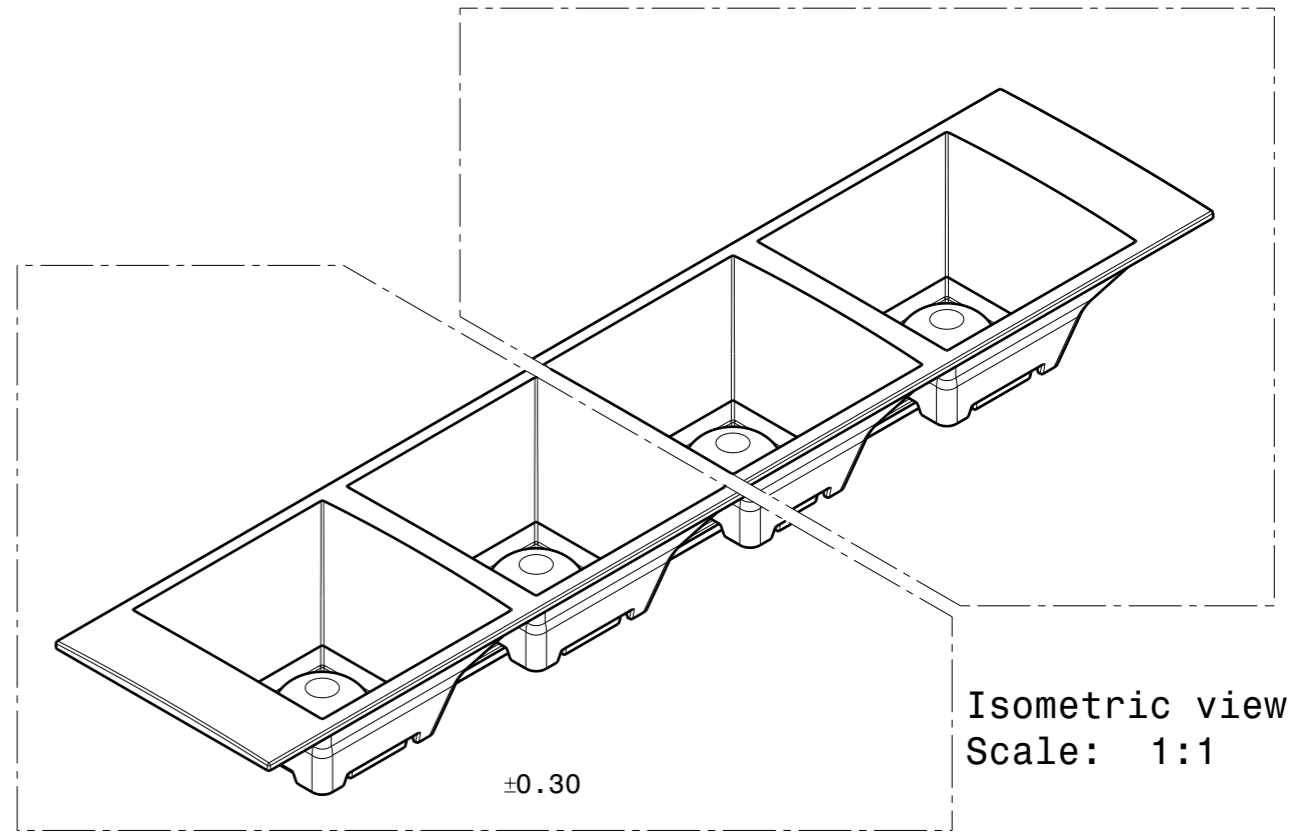


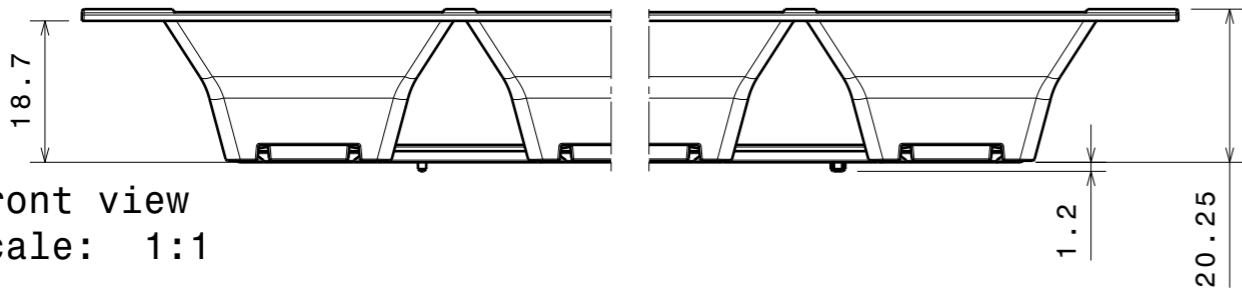
H G F E D C B A



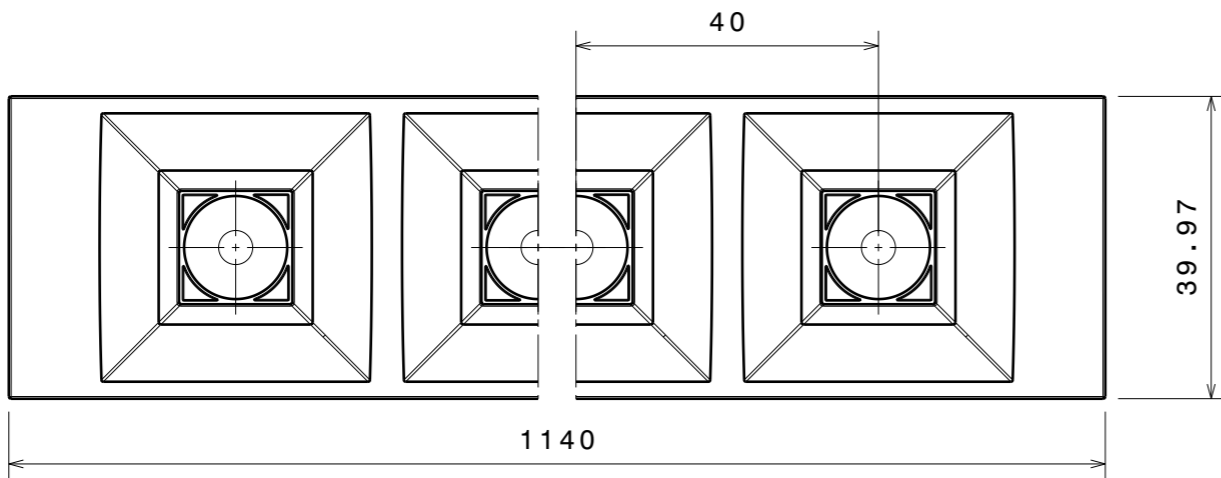
Bottom view
Scale: 1:1



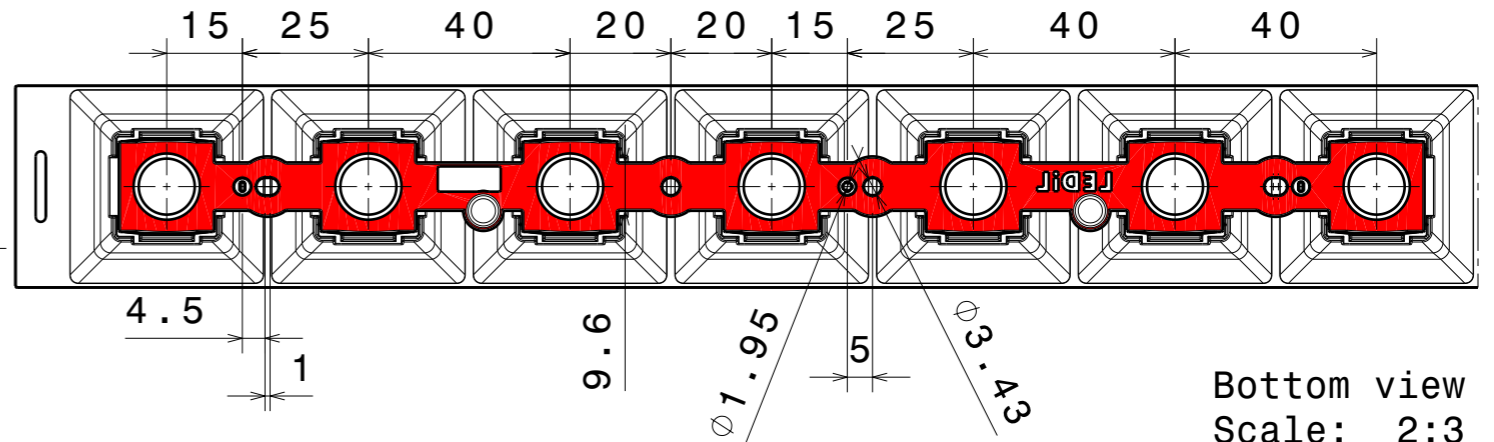
Isometric view
Scale: 1:1



Front view
Scale: 1:1



Top view
Scale: 1:1



Bottom view
Scale: 2:3

CN17380_DAISSY-28X1-W-B-D

INDEX	QTY.	PART NO	TYPE	MATERIAL	COLOR / COATING
1	7	C17362_DAISSY-7X1-W-D	LENS	PMMA	MILKY
2	1	C16585_DAISSY_28X1-SHD	SHD	PC/ABS	BLACK

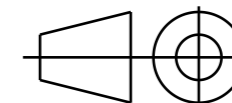
MECHANICAL DRAWING

PRODUCT
DAISSY-28X1

LEDiL®

Plastic moulding general tolerances according to DIN 16901-130 and applies if not otherwise shown in the drawing.
Silicone moulding general tolerances according to ISO 3302-1 Class M3 and applies if not otherwise shown in the drawing.

FIRST ANGLE PROJECTION:



This drawing is the property of LEDiL Oy. It may not be copied or otherwise distributed without prior written permission from LEDiL Oy.

SCALE 1:1

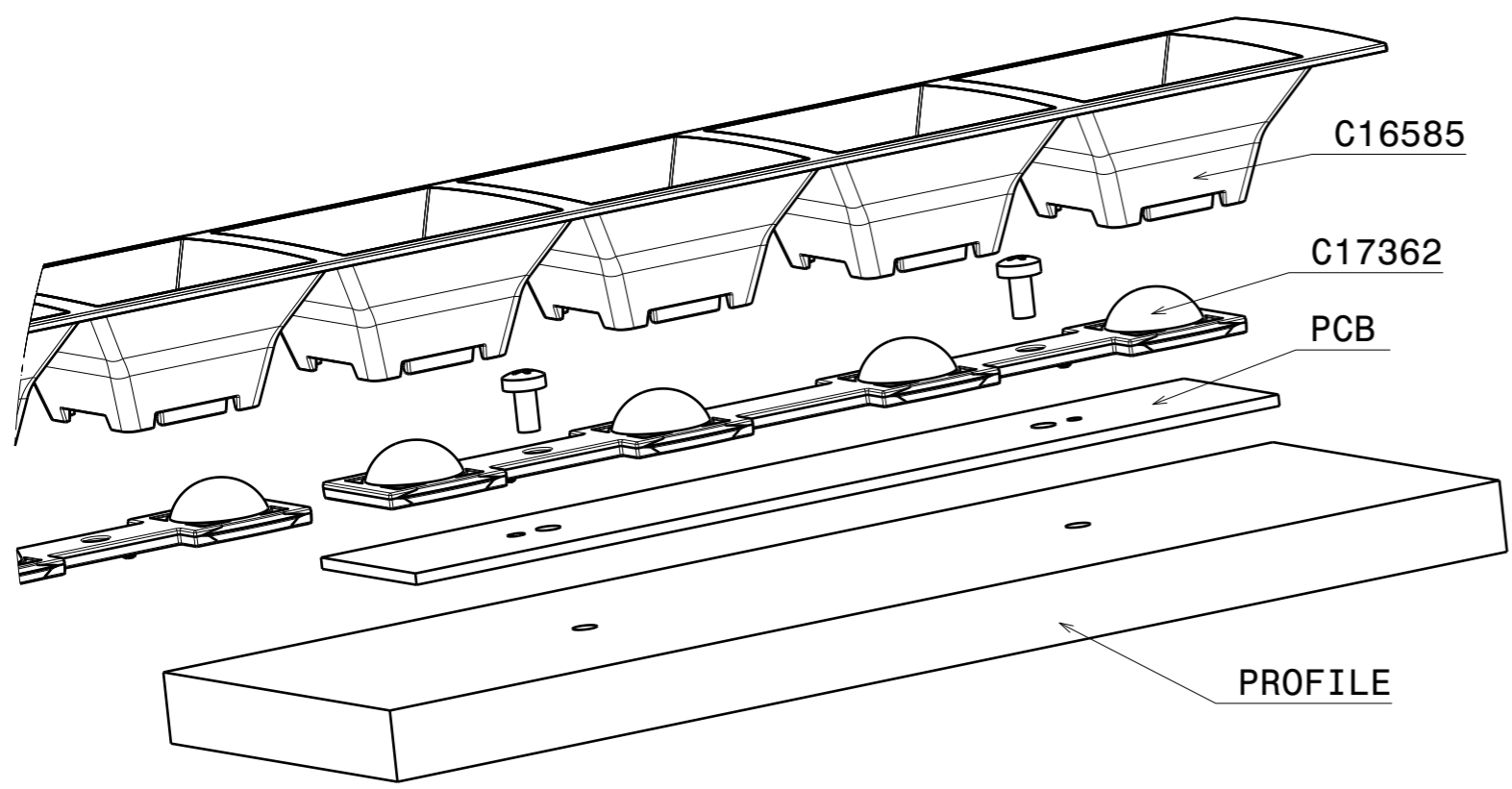
WEIGHT -

A3 SHEET 1/1

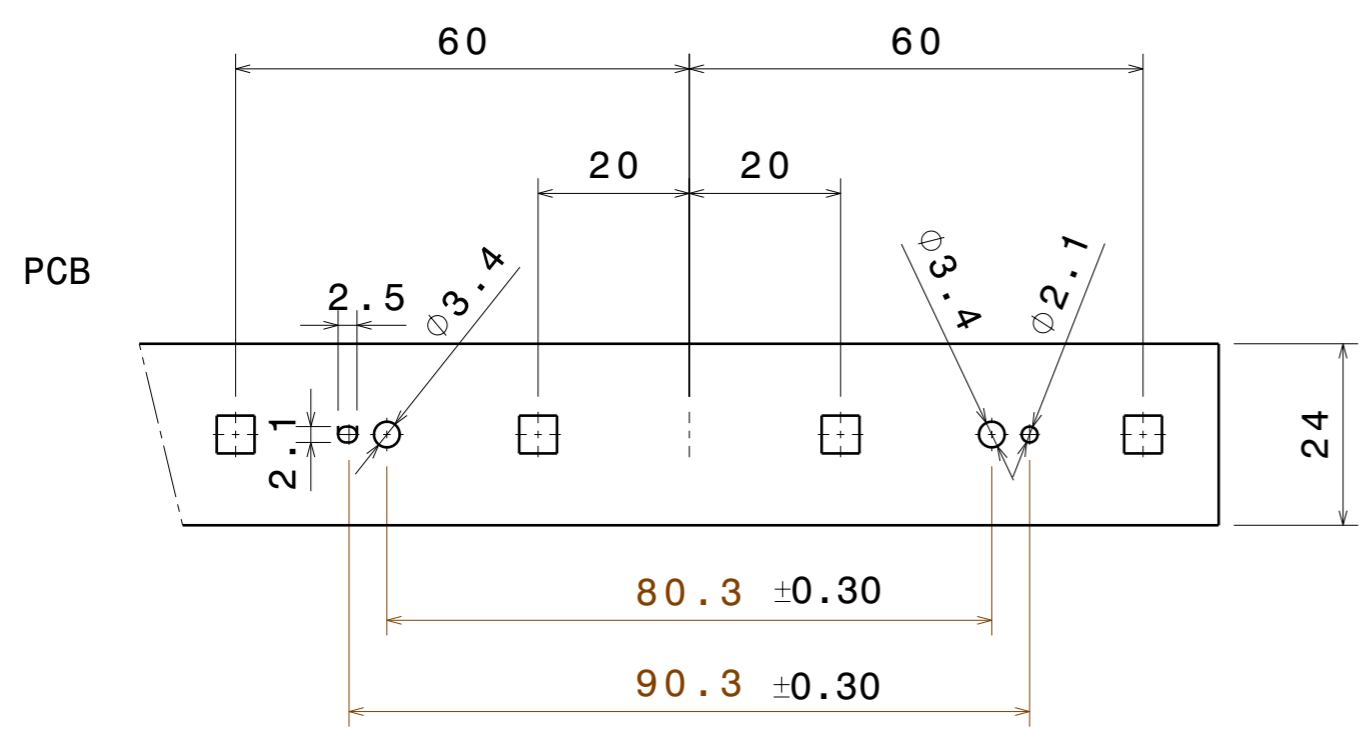
Notes

Ensure LED fitting from a product specific 3D model available from www.ledil.com
For more details about installation please see LEDiL Installation Guide on www.ledil.com

@ A B A



Scale: 1:1



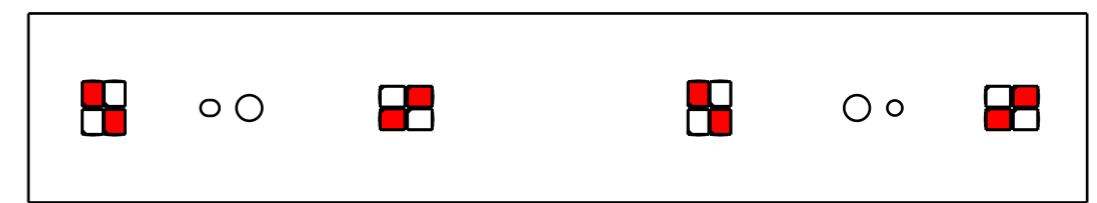
Positioning of different LED combinations
Recommended LED spacing in clusters 0.2mm



LED 1 X 5050



LED 2 X 5630



LED 4 X 2835

CN17380_DAISSY-28X1-W-B-D

INDEX	QTY.	PART NO	TYPE	MATERIAL	COLOR / COATING
1	7	C17362_DAISSY-7X1-W-D	LENS	PMMA	MILKY
2	1	C16585_28X1-SHD	SHD	PC/ABS	BLACK

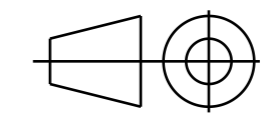
MECHANICAL DRAWING

PRODUCT **DAISSY - 28X1**



Plastic moulding general tolerances according to DIN 16901-130 and applies if not otherwise shown in the drawing.
Silicone moulding general tolerances according to ISO 3302-1 Class M3 and applies if not otherwise shown in the drawing.

FIRST ANGLE PROJECTION:



This drawing is the property of LEDiL Oy. It may not be copied or otherwise distributed without prior written permission from LEDiL Oy.

SCALE	1:1	WEIGHT	-	A3	SHEET 1/1
-------	-----	--------	---	----	-----------

Notes

Ensure LED fitting from a product specific 3D model available from www.ledil.com
For more details about installation please see LEDiL Installation Guide on www.ledil.com