

H G F E D C B A

4

3

2

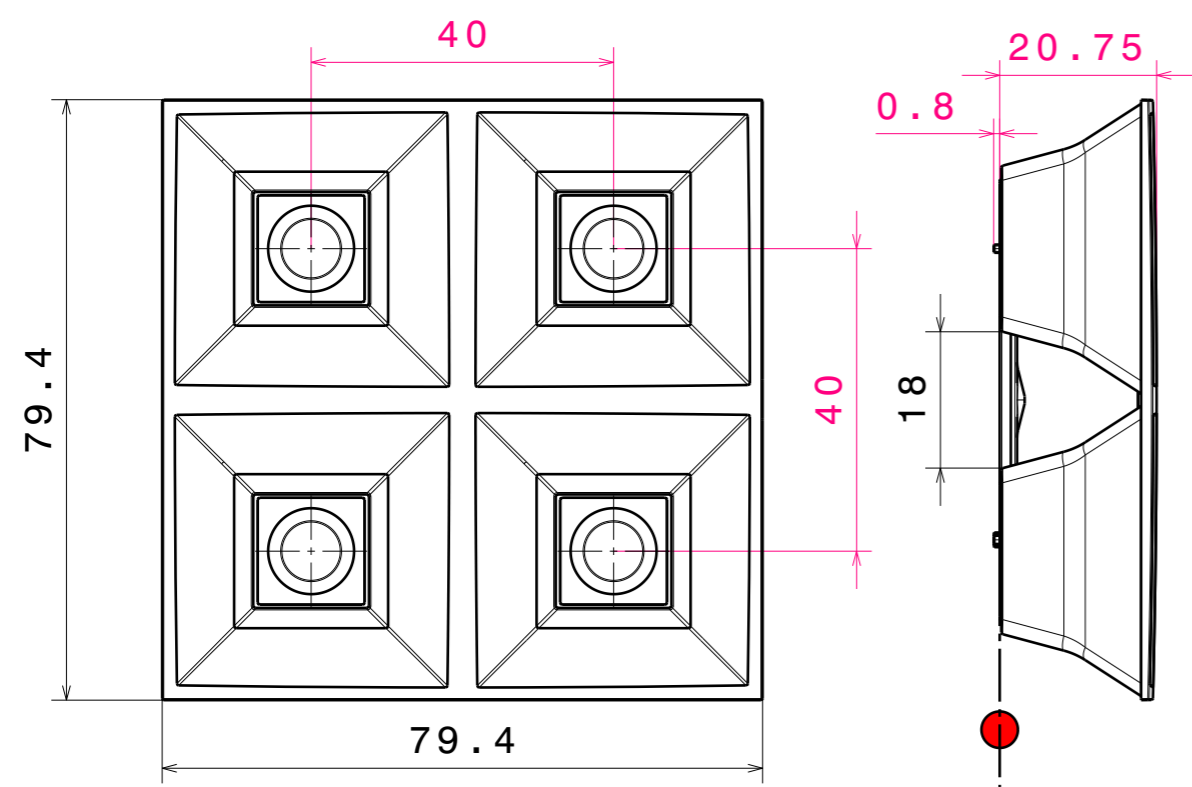
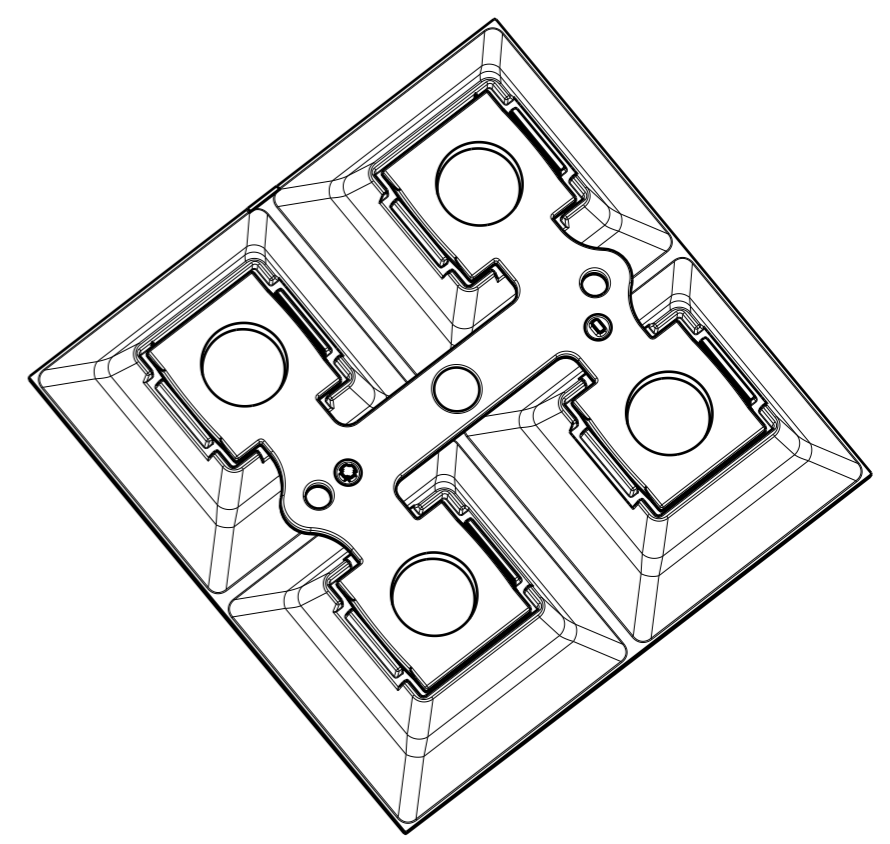
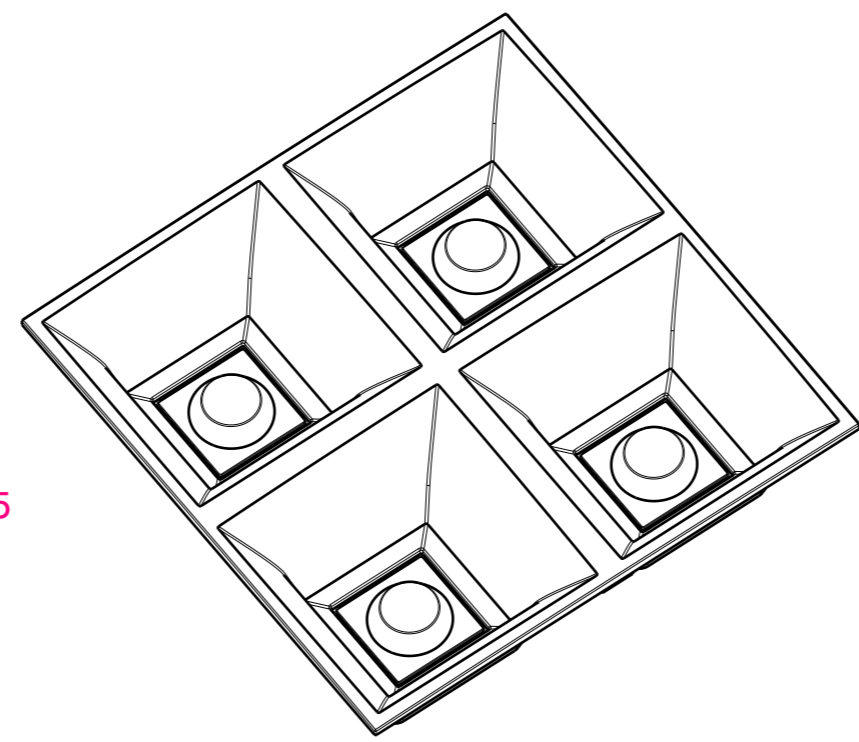
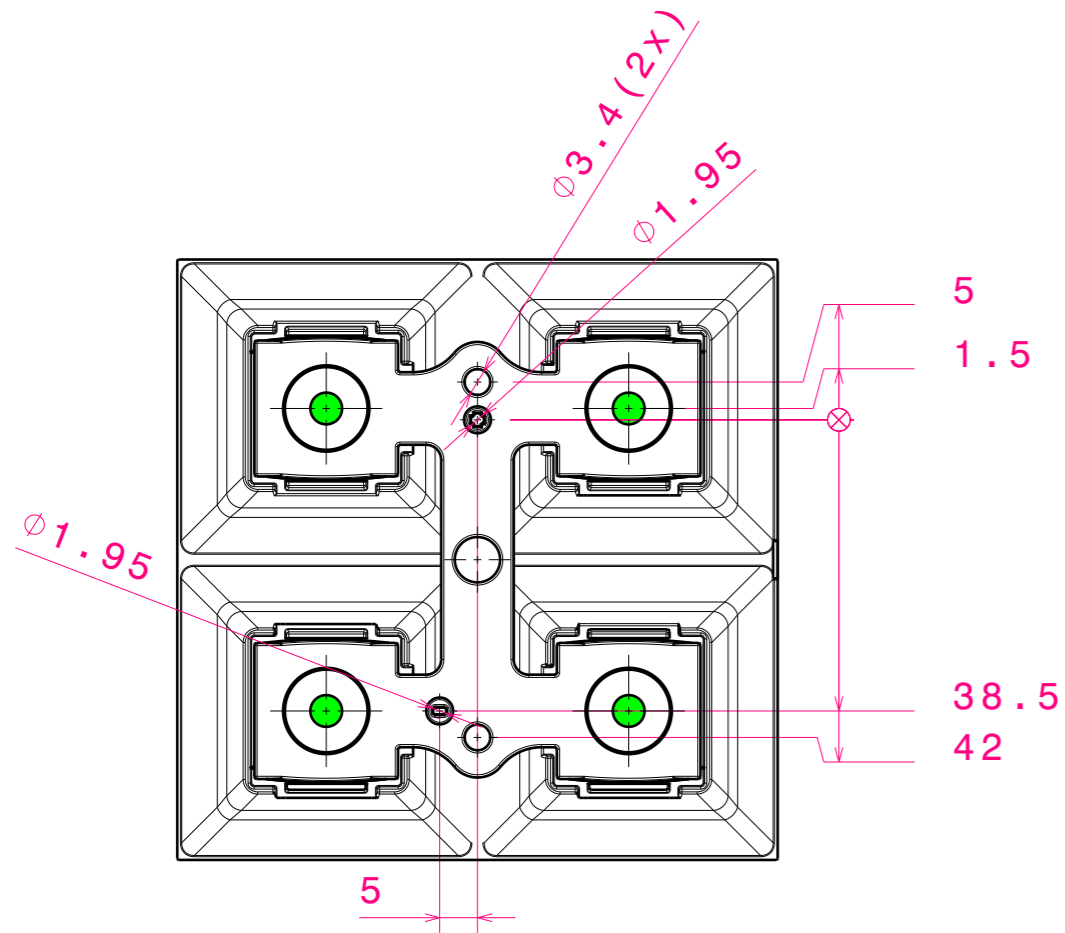
1

4

3

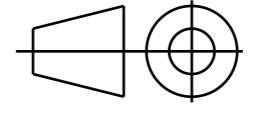
2

1





CN17385\_DAISSY-2X2-WW-D  
**COMPONENTS**

INDEX	PART	TYPE	MATERIAL	COLOR / COATING
1	C16866_DAISSY-2x2-SHD	SHADE	PC	Black
2	C17256_DAISSY-2X2-WW-D	LENS	PMMA	Milky

<b>MECHANICAL DRAWING</b>		<b>LEDiL</b> <sup>®</sup>
PRODUCT <b>DAISSY</b>		
Plastic moulding general tolerances according to DIN 16901-130 and applies if not otherwise shown in the drawing. Silicone moulding general tolerances according to ISO 3302-1 Class M3 and applies if not otherwise shown in the drawing.	FIRST ANGLE PROJECTION: 	This drawing is the property of LEDiL Oy. It may not be copied or otherwise distributed without prior written permission from LEDiL Oy.
SCALE 1:1	WEIGHT 29,7 g	A3 SHEET 1/1

**Notes**

-  PCB or heatsink level.
-  LED location
- Ensure LED fitting from a product specific 3D model available from [www.ledil.com](http://www.ledil.com)
- For more details about installation please see LEDiL Installation Guide on [www.ledil.com](http://www.ledil.com)

H G B A