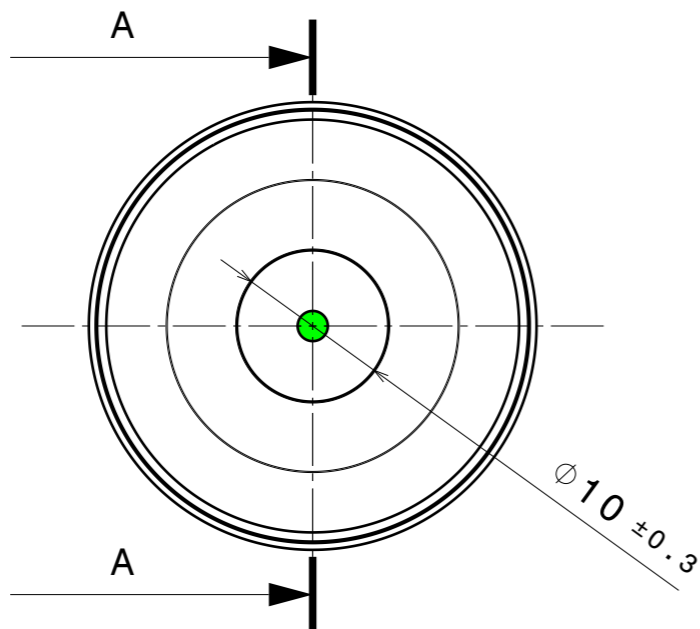
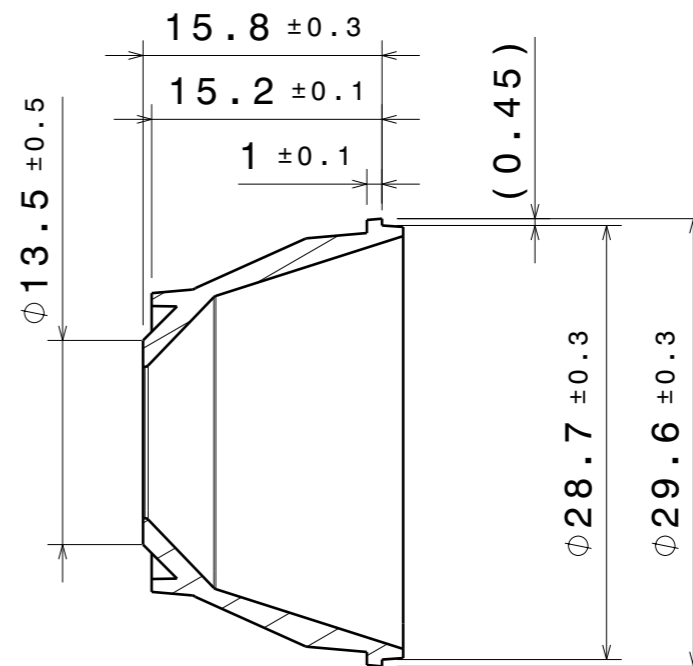


Optically optimal
LES/LED Chip location

Front View
Scale: 2:1



Top View
Scale: 2:1



Section view A-A
Scale: 2:1



Notes	
●	PCB or heatsink level.
●	LED location
	Ensure LED fitting from a product specific 3D model available from www.ledil.com
	Weight: S:2,35g; M:3g; W:2,5g; WW:2,45g
	For more details about installation please see LEDiL Installation Guide on www.ledil.com

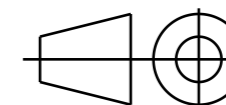
PART	TYPE	MATERIAL	COLOR / COATING
Ella-30 family		High temperature PC	Bright metal coating

MECHANICAL DRAWING

PRODUCT
ELLA-30

Plastic moulding general tolerances according to DIN 16901-130 and applies if not otherwise shown in the drawing.
Silicone moulding general tolerances according to ISO 3302-1 Class M3 and applies if not otherwise shown in the drawing.

FIRST ANGLE PROJECTION:



LEDiL®

This drawing is the property of LEDiL Oy. It may not be copied or otherwise distributed without prior written permission from LEDiL Oy.

SCALE 2:1

WEIGHT -

A3 SHEET 1/1