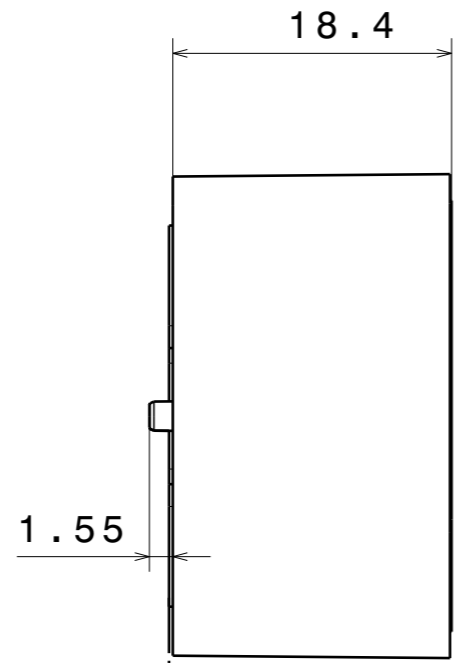
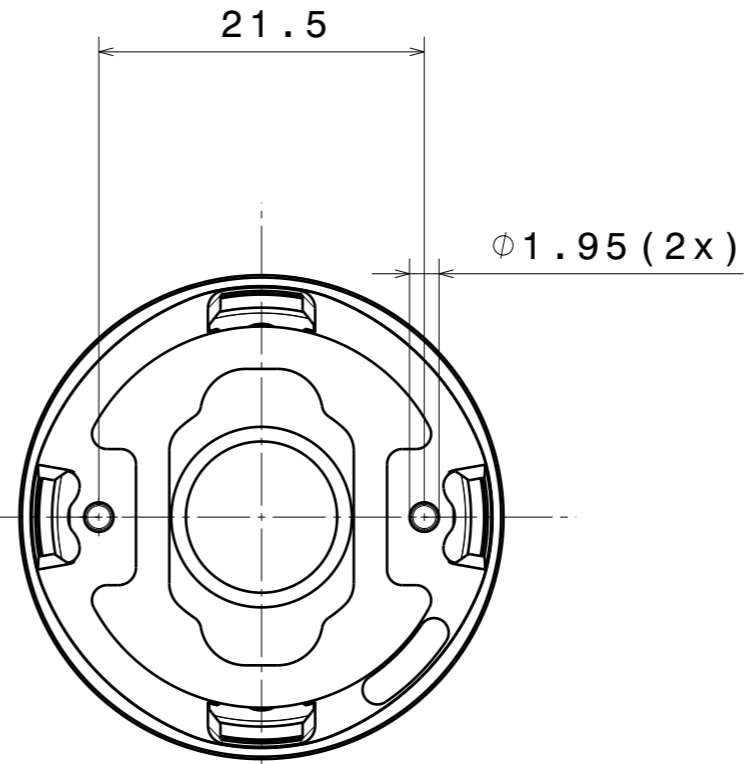


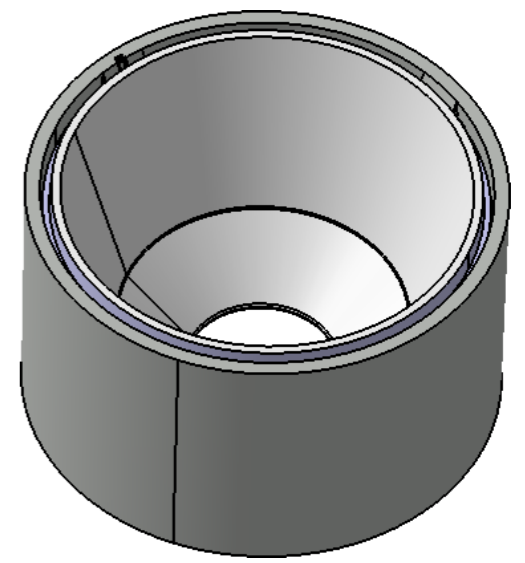
Scale: 2:1



Scale: 2:1



Scale: 2:1



Scale: 2:1

ELLA-30\_Family assembly\_  
**COMPONENTS**

INDEX	PART	TYPE	MATERIAL	COLOR / COATING
1	Ella-30 Family	Reflector	High temperature PC	Bright metal coated
2	Olga HLD	Holder	PC	Black
3	TAPE		PU Foam tape	

<b>MECHANICAL DRAWING</b>		<b>LEDiL</b> <sup>®</sup>
PRODUCT <b>ELLA-30</b>		
Plastic moulding general tolerances according to DIN 16901-130 and applies if not otherwise shown in the drawing. Silicone moulding general tolerances according to ISO 3302-1 Class M3 and applies if not otherwise shown in the drawing.	FIRST ANGLE PROJECTION: 	This drawing is the property of LEDiL Oy. It may not be copied or otherwise distributed without prior written permission from LEDiL Oy.
SCALE 1:1	WEIGHT 5,7g	A3 SHEET 1/1

- Notes**
- PCB or heatsink level.
  - LED location
- Ensure LED fitting from a product specific 3D model available from [www.ledil.com](http://www.ledil.com)
- For more details about installation please see LEDiL Installation Guide on [www.ledil.com](http://www.ledil.com)