

D

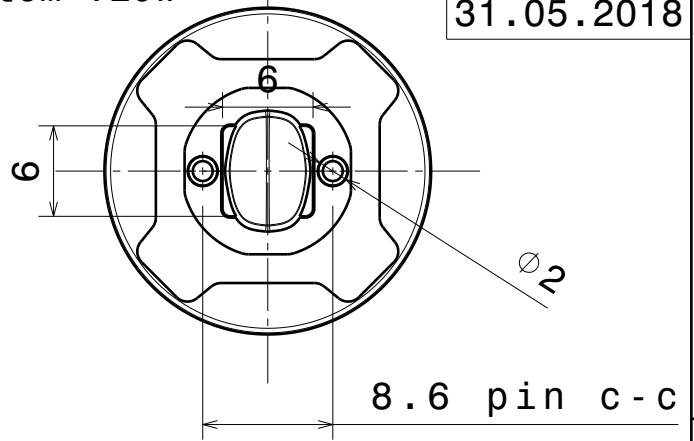
C

B

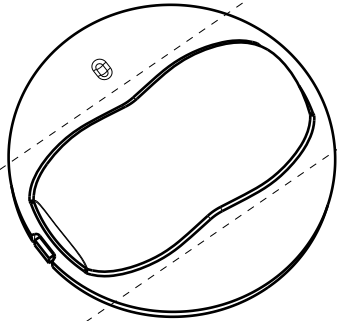
A

DATE
31.05.2018

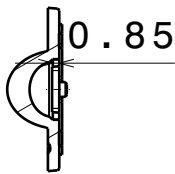
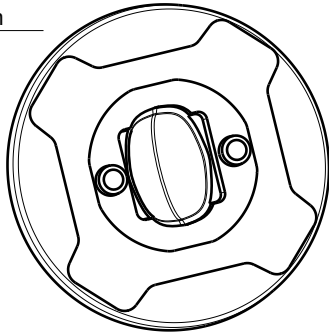
Bottom view



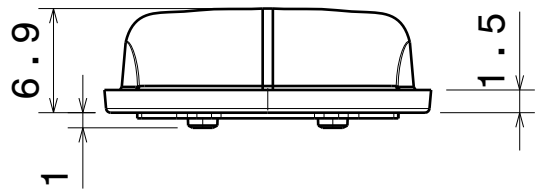
Isometric view
Scale: 2:1



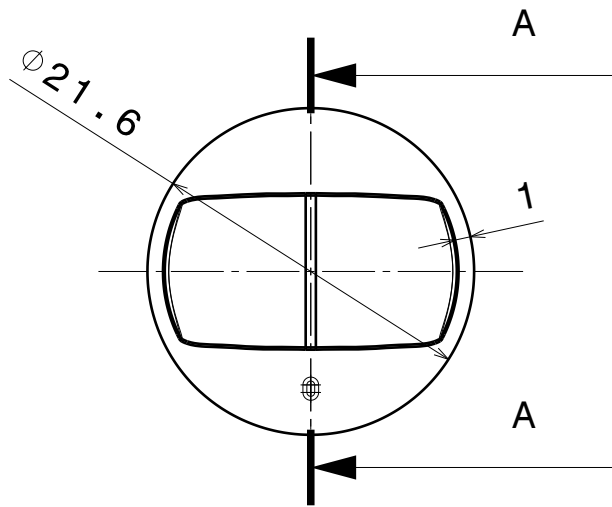
Beam pattern direction



Front view



Top view



PART	MATERIAL	COLOR / COATING
C13155_EMERALD-A	PMMA	CLEAR

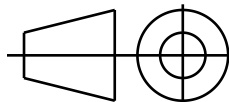
MECHANICAL DRAWING

PRODUCT
EMERALD

LEDiL®

Plastic moulding general tolerances according to DIN 16901-130 and applies if not otherwise shown in the drawing. Silicone moulding general tolerances according to ISO 3302-1 Class M3 and applies if not otherwise shown in the drawing.

FIRST ANGLE PROJECTION:



This drawing is the property of LEDiL Oy. It may not be copied or otherwise distributed without prior written permission from LEDiL Oy.

SCALE 1:1

WEIGHT -

A4 SHEET 1/1

D

A