

D

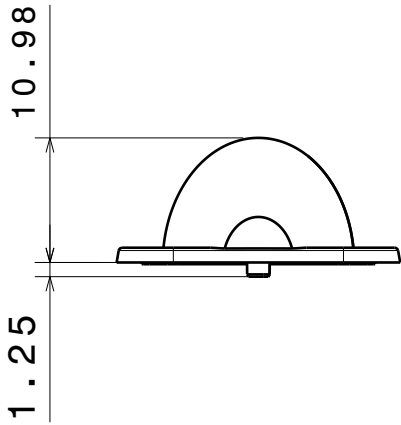
C

B

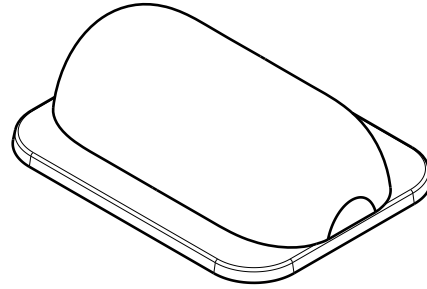
A

4

4



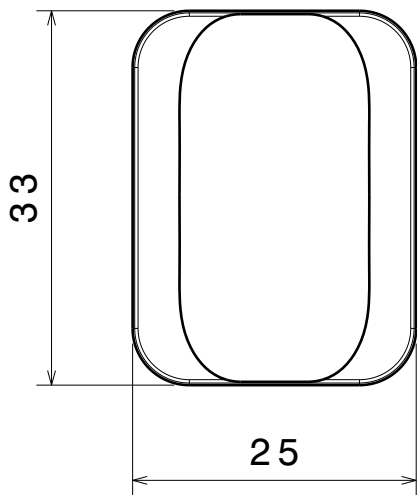
Left view



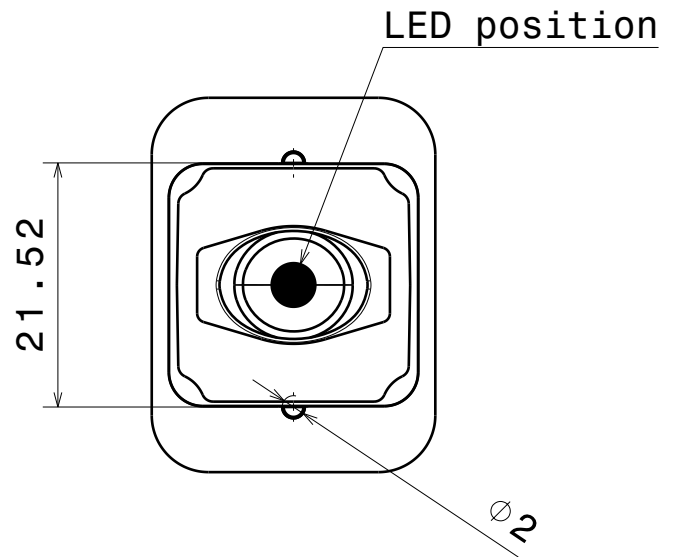
Isometric view

3

3



Top view



Bottom view

2

2

PART NO	DESCRIPTION	MATERIAL	COLOUR
C14522	EMERALD-MAXI-A	PMMA	CLEAR

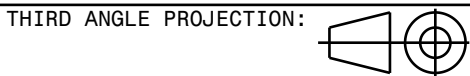
Tolerances if not otherwise shown  
 According to DIN ISO 2768-1  
 Linear measures: class M  
 According to DIN ISO 2768-2  
 Form and position: class L

**LEDiL**

Ledil Oy  
 Joensuunkatu 13  
 FIN 24240 SALO  
 Finland

1

1



THIRD ANGLE PROJECTION:

DRAWING TITLE

C14522\_EMERALD-MAXI-A

This drawing is the property  
 of LEDiL Oy. It may not be  
 reproduced, copied or  
 communicated without a written  
 agreement with LEDiL Oy.

SIZE PART NUMBER

A4

C14522

SCALE 3:2 WEIGHT 4,6 g SHEET 1/1

D

A