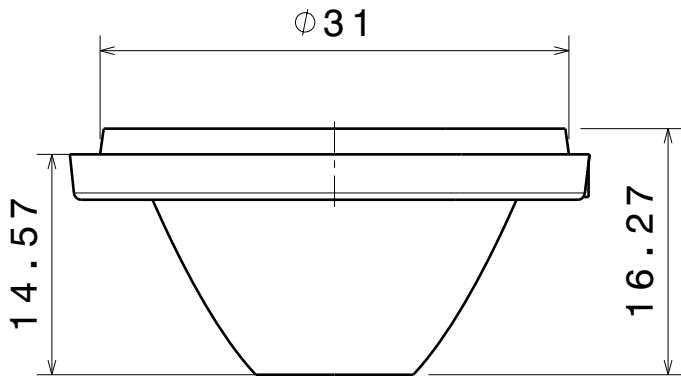


D

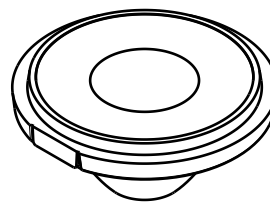
C

B

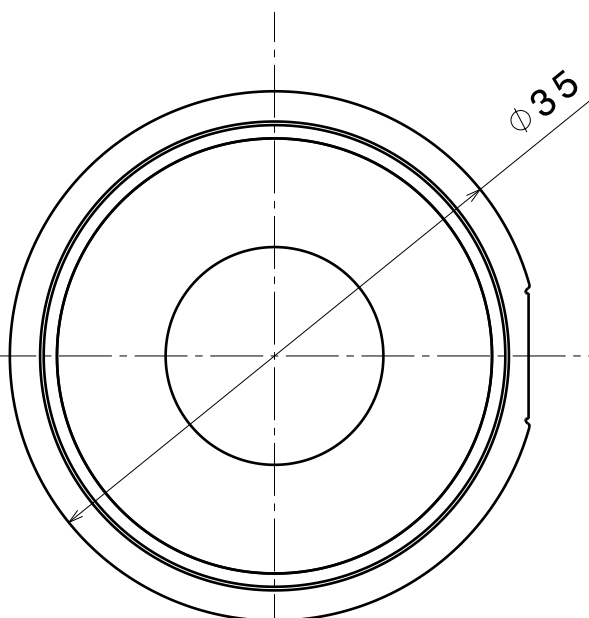
A



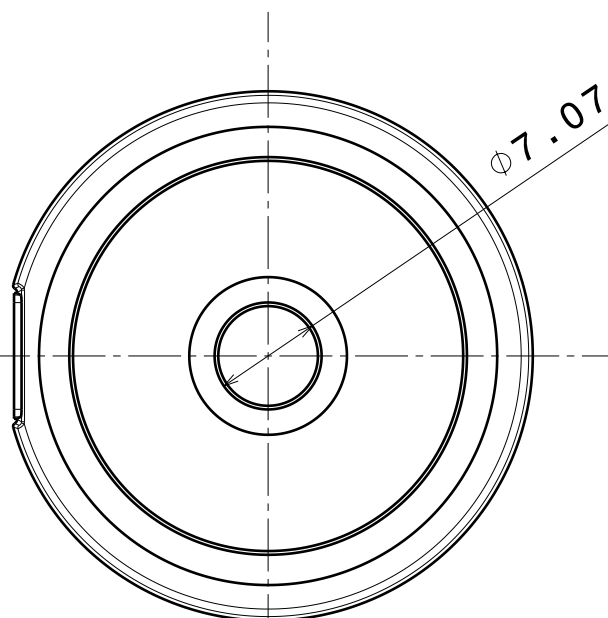
Front view



Isometric view  
Scale: 1:1



Top view



Bottom view

Raw material Evonik Plexiglas 8N  
UL File number:E65495

INDEX	PART NO	DESCRIPTION	MATERIAL	COLOUR
1	C10684	EVA-D	PMMA	CLEAR

Tolerances if not otherwise shown  
According to DIN ISO 2768-1  
Linear measures:  
Up to 30mm class M, otherwise class C.  
According to DIN ISO 2768-2  
Form and position: class L

**LEDiL**

Ledil Oy  
Joensuunkatu 13  
FIN 24240 SALO  
Finland

THIRD ANGLE PROJECTION:



DRAWING TITLE

C10684\_EVA-D

This drawing is the property  
of LEDiL Oy. It may not be  
reproduced, copied or  
communicated without a written  
agreement with LEDiL Oy.

SIZE PART NUMBER

A4

C10684

SCALE 2:1 WEIGHT 7,74 g SHEET 1/1

D

A